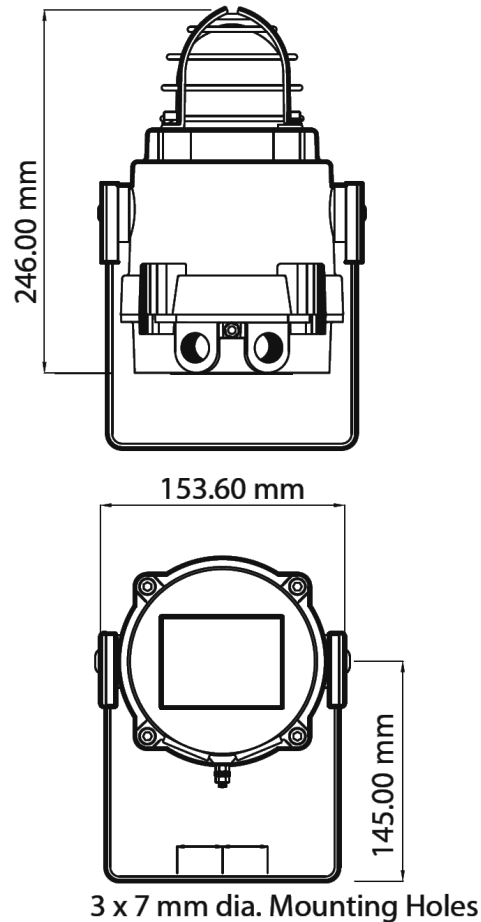




- Light Output: 21 Joule
- Xenon Beacon
- IP Rating: 66/67
- Available Lens Colours: Amber Blue Clear Green Red Yellow
- Available Voltages: 24Vdc 48Vdc
115Vac 230Vac
- Xenon tubes mechanically secured against shock and vibration
- Glass lens and stainless steel guard
- Very large termination area
- Ratchet adjustable stainless steel 'U' bracket

Light output	21 Joule 485 Cd. effective intensity (clear)
IP rating	66/67
Light source	Xenon strobe beacon
Flash rate	1Hz single and double flash 2Hz
Cable entry	Dual M20 ISO (one stopping plug included)
Terminal capacity	0.5 to 4.0mm ² cables
Line monitoring	Min 500 ohm 2W or 3k3 Ohm 0.5W resistor or diode (dc versions only)
Operating temp.	Refer to approval table
Relative humidity	90% at 20°C
Body material	Marine grade copper free LM6 Aluminium with phosphate and powder coated finish (anti-corrosion)
Body colour	Red (others on request)
Lens material	Glass
Lens colour	Amber Blue Clear Green Red Yellow
Tube life	Reduced to 70% after 8 million flashes
Unit weight	2.65Kg (DC) 2.95Kg (AC)



Voltage	Voltage Range	Current
24 Vdc	20 to 28 Vdc	1.2A
48 Vdc	40 to 54 Vdc	600mA
115 Vac	+/- 10%	560mA
230 Vac	+/- 10%	280mA

Approvals:

ATEX:

KEMA 00ATEX2006 to EN60079-0, EN60079-1, EN60079-7, EN61241-0, EN61241-1
Ex II 2G Ex d IIC T3 (T_{amb} -50°C to +70°C)
Ex II 2G Ex d IIC T4 (T_{amb} -50°C to +55°C)
Ex II 2D Ex tD A21 IP67 T200°C (T_{amb} max. +70°C)
Ex II 2D Ex tD A21 IP67 T135°C (T_{amb} max. +55°C)

IECEX:

IECEX KEM 10.0002 to IEC 60079-0, IEC 60079-1, IEC 60079-7, IEC 61241-0, IEC 61241-1
Ex d IIC T3 (T_{amb} -50°C to +70°C)
Ex d IIC T4 (T_{amb} -50°C to +55°C)
Ex tD A21 IP67 T200°C (T_{amb} max. +70°C)
Ex tD A21 IP67 T135°C (T_{amb} max. +55°C)

INMETRO:

10-IEEx-0010

GOST-R

POCC GB.ГБ05.В02205
1ExdIICT4 Ta. -50° to +55°C
DIP A21 Ta T4