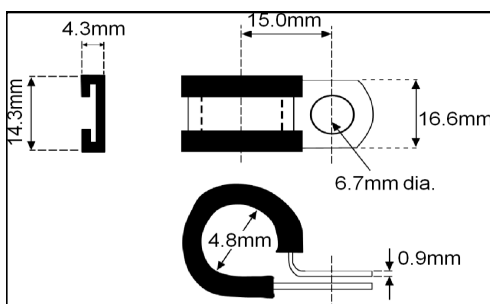


## P Clips

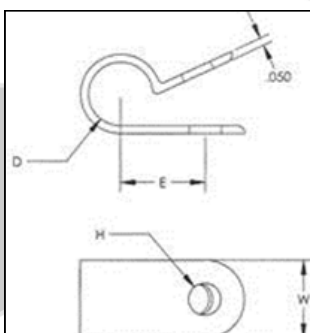
### P Clip

The P Clip is available in either zinc or stainless steel. Both versions come with a UV and ozone resistant cushion insulator. The fixing screw is not included.



### Nylon P Clip

The P98 Nylon P Clip is made of flame retardant polypropylene. It is resistant to chemical corrosion and UV light. The clip is particularly suitable for applications where heat transfer to a metal clip must be avoided.



D: 6.35mm  
W: 12.70mm  
H: 5.16mm  
E: 10.41mm