

INSTRUCTION & SERVICE MANUAL

L101X Range - Xenon Strobe Beacon

High Powered Xenon Tube Beacon

5J Xenon Flash Tube
 Three modes : Flashing 1 Hz, Flashing 1.5Hz (DC units Only),
 Double Strike (DC Units Only)
 IP Rating: Type 4 / 4X / 3R / 13, IP66
 Temp: -40°C/F to +66°C/+151°F

General Signaling Canada:
 L101XDC: -40°C/F to +55°C/+131°F
 L101XAC: -40°C/F to +40°C/+104°F
 EN54-23: -25°C/-13°F to +55°C/+131°F

Unit weight: 200g

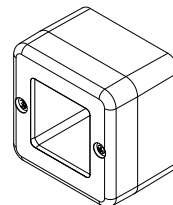
CE, UKCA & UL Approved

VdS/CPR Approval for EN54-23 (24/48Vdc Application Only)

General Signalling for US & Canada - UL1638A & CSA22.2-205-17

Private Mode Fire for US & Canada - UL1638, CAN/ULC-S526

Dimensions : 86.0 x 86.0mm
 0.5-4.0mm² terminals
 AWG22-AWG12
 Cable entry: M20 cable entry (IP66)
 Dependent on Back Box selected



L101X



Model No.	Nominal Voltage	Voltage Range	Nominal Operating Current†	Max Operating RMS#
L101XDC012[Z]...[X]/[Y]	12V dc/ac	11.5-14V dc/ac	500mA/380mA	531mA @14Vdc / 341mA @14Vac
L101XDC024[Z]...[X]/[Y]	24V dc/ac	20-28V dc/ac	250mA/300mA	271mA @20Vdc / 426mA @28Vac
L101XDC048[Z]...[X]/[Y]	48V dc	42-54V dc	170mA	170mA @42Vdc
L101XAC048[Z]...[X]/[Y]	48V ac	42-54V ac	250mA	360mA @52.8Vac
L101XAC115[Z]...[X]/[Y]	115V ac	115V ac +/-10% 50/60Hz	70mA	101mA @126.5Vac
L101XAC230[Z]...[X]/[Y]	230V ac	230V ac +/-10% 50/60Hz	35mA	58mA @253Vac

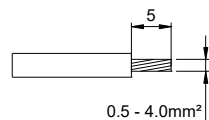
[Z] Denotes Backbox Type: B = Standard L101; S = Sonora; M = Multi-purpose (with Lugs)

[X] Denotes Housing Colour: R = Red; G = Grey; W = White

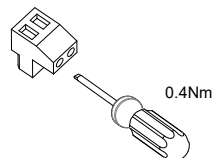
[Y] Denotes Lens Colour*: R = Red; G = Green; A = Amber; B = Blue; C = Clear; M = Magenta

*Only Red & Clear Lens VdS/CPR Approved.

†Nominal Voltage, 1Hz Flash Pattern & Tone 12; #Worst-case input voltage and worst case flash pattern



Use suitable conduit or cable glands with suitable IP or type rating



Terminal Connections

Attention: Installation must be carried out by an electrician in compliance with the latest codes and regulations.

Attention: L'installation doit être effectuée par un électricien conformément aux derniers codes et réglementations.

Achtung: Die Installation muss von einem Elektriker gemäß den neuesten Vorschriften und Bestimmungen durchgeführt werden.

Attenzione: L'installazione deve essere eseguita da un elettricista in conformità con i codici e le normative più recenti.

Atención: La instalación debe ser realizada por un electricista de acuerdo con los últimos códigos y regulaciones.

Atenção: A instalação deve ser realizada por um electricista de acordo com os códigos e regulamentos mais recentes.

Внимание: установка должна выполняться электриком в соответствии с последними нормами и правилами.

Attention: Disconnect from power source before installation or service to prevent electric shock

Attention: Débranchez-le de la source d'alimentation avant l'installation ou l'entretien pour éviter tout choc électrique.

Achtung: Vor Installation oder Wartung von der Stromquelle trennen, um einen Stromschlag zu vermeiden.

Attenzione: scollegare dall'alimentazione prima dell'installazione o dell'assistenza per evitare scosse elettriche.

Atención: desconéctelo de la fuente de alimentación antes de la instalación o el servicio para evitar descargas eléctricas.

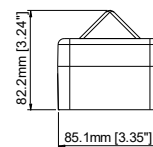
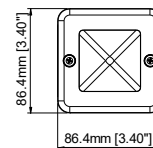
Atenção: Desconecte da fonte de alimentação antes da instalação ou serviço para evitar choque elétrico

Внимание: отключите от источника питания перед установкой или обслуживанием, чтобы предотвратить поражение электрическим током.

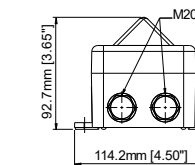
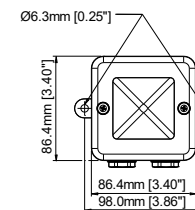


Backbox Type See D185-05-001

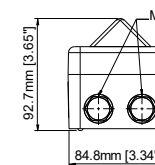
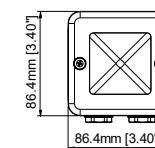
Standard L101 Backbox [B]



Multi-purpose Backbox [M]



Sonora Backbox [S]



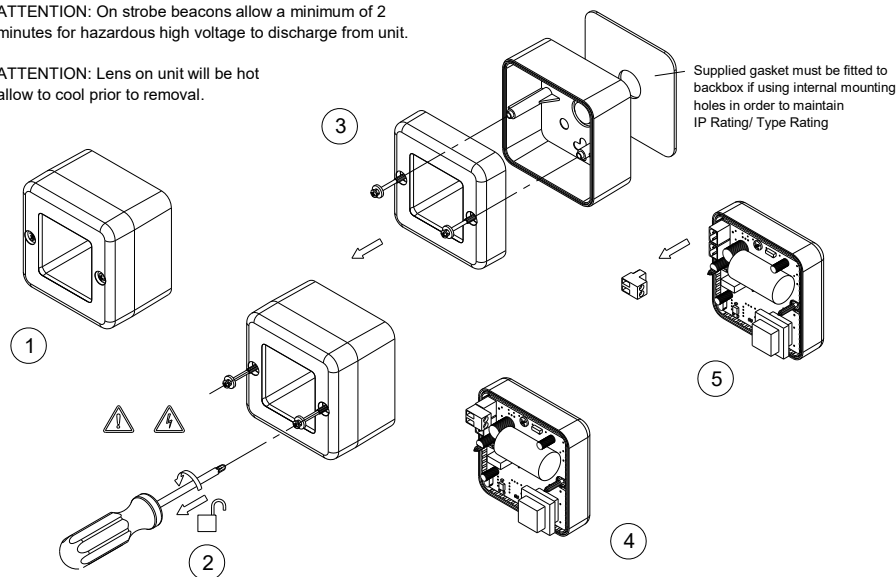
Access to Enclosure



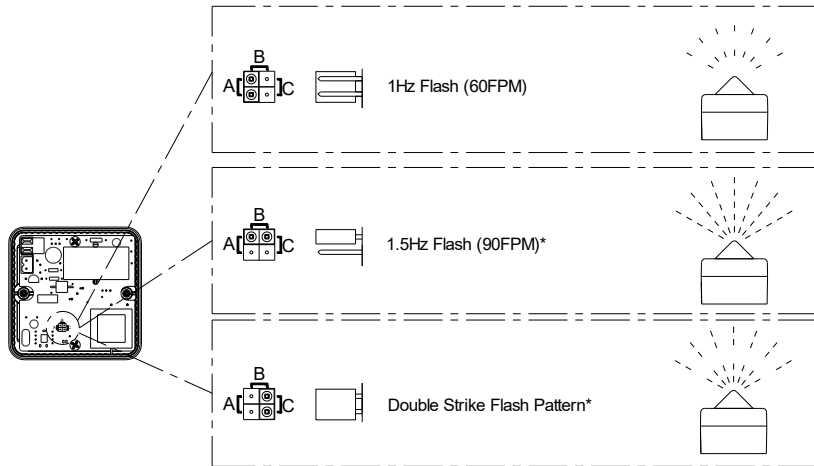
ATTENTION: On strobe beacons allow a minimum of 2 minutes for hazardous high voltage to discharge from unit.



ATTENTION: Lens on unit will be hot allow to cool prior to removal.

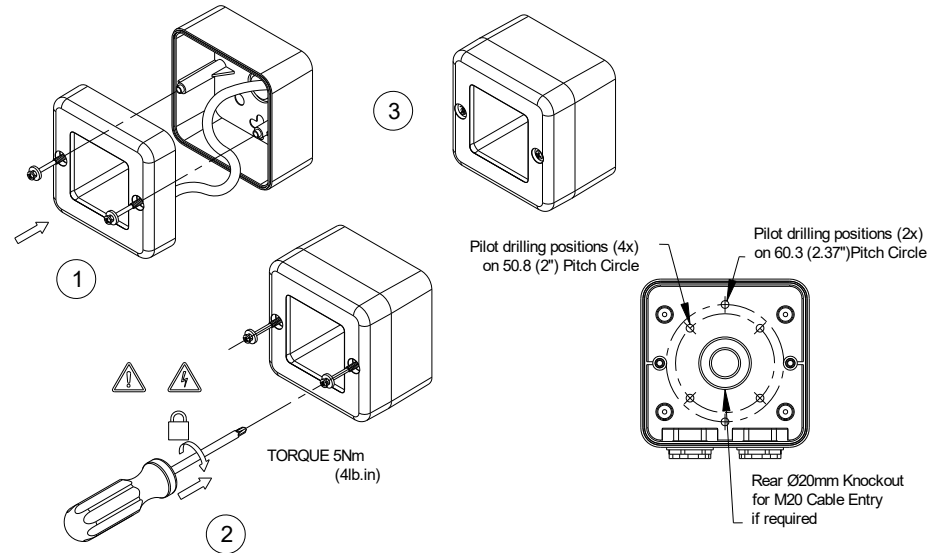


Header Pin Settings for Flashing modes

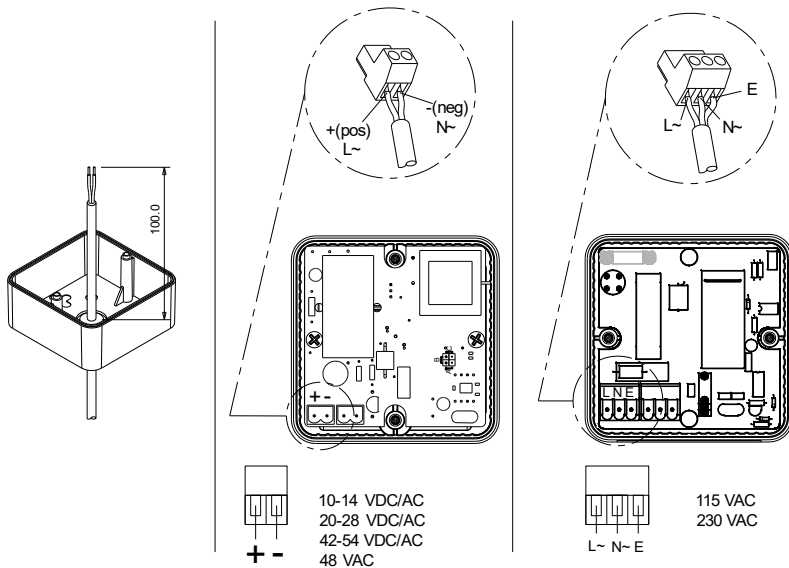


*Flashing 1.5Hz and Double Strike modes are not available on the following units: L101XDC012[b][x]/[y] when used with an AC supply; L101XAC048[b][x]/[y]; L101XAC115[b][x]/[y] & L101XAC230[b][x]/[y].

Re-assembly



Wiring See D185-06-001

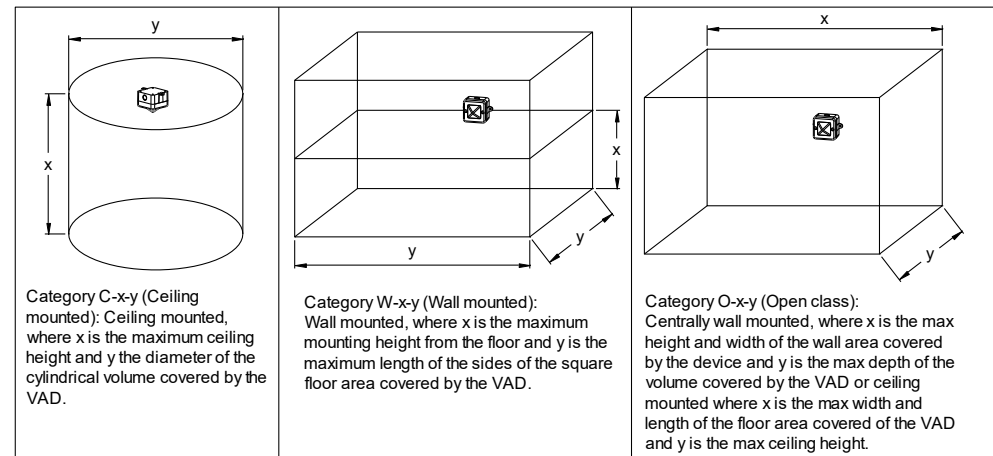


10-14 VDC/AC
20-28 VDC/AC
42-54 VDC/AC
48 VAC

115 VAC
230 VAC
L~ N- E

Coverage Area According to EN54-23

Unit	Category C	Category W	Category O	Power
L101XDC024[z][x]/C	C-9-6.8 V=326.9m ²	W-2-4-4.8 V=55.3m ²	O-4-8-10 V=230.4m ²	6W
L101XDC024[z][x]/R	C-3-2.6 V=15.9m ²	N/A	O-1-9-3.6 V=13.0m ²	6W
L101XDC048[z][x]/C	C-9-7 V=346.4m ²	W-2-5-5 V=62.5m ²	O-5-10 V=250.0m ²	8.4W
L101XDC048[z][x]/R	C-3-3 V=21.2m ²	N/A	O-2-4 V=16.0m ²	8.4W



Category C-x-y (Ceiling mounted): Ceiling mounted, where x is the maximum ceiling height and y the diameter of the cylindrical volume covered by the VAD.

Category W-x-y (Wall mounted): Wall mounted, where x is the maximum mounting height from the floor and y is the maximum length of the sides of the square floor area covered by the VAD.

Category O-x-y (Open class): Centrally wall mounted, where x is the max height and width of the wall area covered by the device and y is the max depth of the volume covered by the VAD or ceiling mounted where x is the max width and length of the floor area covered by the VAD and y is the max ceiling height.



Attention: Installation must be carried out by an electrician in compliance with the National Electrical Code, NFPA 70, and the National Fire Alarm Signaling Code, NFPA 72 or CSA 22.1 Canadian Electrical Code, Part I, Safety Standard for Electrical Installations, Section 32. / L'installation doit exclusivement être réalisée par du personnel qualifié, conformément au code national d'électricité américain, NFPA 70, et le code national d'alarme incendie et de signalisation NFPA 72 ou CSA 22.1 Code canadien de l'électricité, première partie, norme de sécurité relative aux installations électriques, Section 32



Attention: Disconnect from power source before installation or service to prevent electric shock / Débranchez-le de la source d'alimentation avant l'installation ou l'entretien pour éviter tout choc électrique.



Attention: Do not paint / Ne pas Peinturer

- -40°C to +66°C / -40°F to +151°F
- Units can be mounted using the 2-off ø6mm holes in the mounting lugs or through the back of the housing using the supplied gasket seal.
- L101XDC024 is approved for use as a Visual signal appliance for fire alarm use – Private Mode. (UL1638 & CAN/ULC-S526).
- For private mode fire alarm use, the beacon must be set to the certified flash pattern of 1Hz.

On-axis light output rating per UL1638 & Emergency Warning

Model	Lens Colour	UL1638 Intensity (cd) at 1Hz flash rate	Emergency Warning Intensity (cd) at 1Hz flash rate
L101XDC024	Clear	86.5	69.2
	Amber	38.12	30.5
	Blue	11.75	-
	Green	32.62	26.1
	Magenta	11.75	-
	Red	8.62	-
	Yellow	77.0	61.6

- For light output ratings see below:
- Connection Terminals: Pluggable
AC: 1.0 - 2.5mm² / AWG18 - AWG12
DC: 0.2 - 2.5mm² / AWG24 - AWG12
- Terminal Tightening torque 0.4Nm
- To maintain Ingress Protection, cable entries must be fitted with suitably rated cable glands or stopping plugs
- Units can be located indoor or outdoor wet use, wall or ceiling mounted and there are no limitations on orientation

Surge current ratings for use in fire alarm systems

Model	Nominal Voltage	Voltage Range	Flash Rate	Initial Peak (mA)	Initial RMS (mA)
L101XDC024	24Vdc	20-28Vdc	1 Hz	426	300

- Factory finishes are not intended to be modified