

# IS-CP4-PB Push Button Manual Call Point

The IS-CP4-PB push button manual call points are designed for the harshest of environments and approved for Zones 0, 1, 2, 21 & 22 requiring hazardous area intrinsically safe equipment for the control of fire and gas alarm systems. SIL2 compliant to IEC61508 (2010).

The IS-CP4 range features enclosures manufactured from corrosion proof, marine grade, copper free LM6 (A413) aluminium which is chromated and powder coated. Available with and without monitoring resistors all versions are certified to IECEx and ATEX standards with additional INMETRO and Ex EAC approvals. The push button mechanism is protected by a spring loaded cover therefore the switch requires a two-action activation. The IS-CP4-PB is user re-settable by rotating the push button.

## Options

- Alternative housing colours are available to meet specific requirements.
- Metalised Polyester "Duty" label.
- Series and/or End of Line resistors.

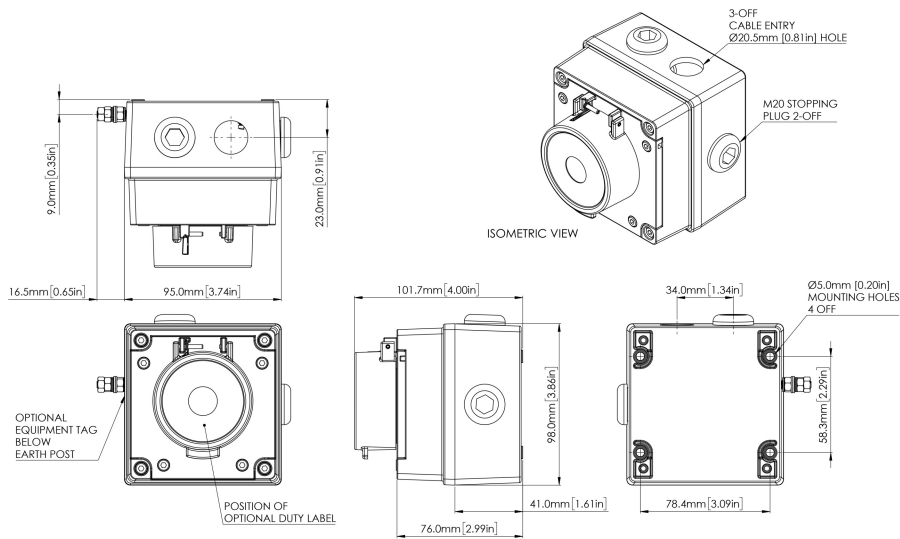
## Approvals

- ATEX certificate: SIRA 09ATEX2287X,
- IECEx certificate: IECEx SIR 09.0122X,
- GOST-R certificate: POCC GB.JB05.B03365
- SIL 2 compliant to IEC 61508 (2010)

## Coding

- ISCP4A-PB  
II 1G Ex ia IIC T6 Ga Ta = -40°C to +55°C  
II 2D Ex tb IIIC T60°v C Db IP66  
Input:  $U_i = 30V$ ,  $I_i = 500mA$ ,  $P_i = 1.1W$ ,  $C_i = 0$ ,  $L_i = 0$   
Voltage: 250V ac Max.5.0A Max.  
Voltage: 50V dc Max.1.0A Max.
- ISCP4B-PB  
II 1G Ex ia IIC T4 Ga Ta = -40°C to +55°  
 $U_i = 30V$ ,  $I_i = 500mA$ ,  $P_i = 1.1W$ ,  $C_i = 0$ ,  $L_i = 0$





## Specification

<b>IS-CP4A-PB:</b>	A version
Coding:	II 1G Ex ia IIC T6 Ga II 2D Ex tb IIIC T60°C Db IP66
<b>IS-CP4B-PB:</b>	B version
Coding:	II 1G Ex ia IIC T4 Ga IP66
Ambient:	Ta = -40°C to +55°C [-40° to +131°F]
Switch:	Sealed - IP67
Ingress protection:	IP66
Enclosure material:	Marine grade copper free LM6 Aluminium
Enclosure finish:	Chromated & powder coated finish: anti-corrosion.
Colour:	RAL3000 Red (others available on request)
Cable entries:	2 x M20 clearance top and 1 x M20 clearance side. Back box can be rotated to give 2 x bottom and 1 x side entries.
Stopping plugs:	2 x nylon plugs as standard Brass and stainless steel plugs optional
Relative Humidity:	R.H. 95% @ 20°C
Terminals:	6 × 4.0mm <sup>2</sup> cables
MTBF:	1,079.94 years / 9,433,962 hours I- MIL 217
Weight:	0.8Kg

## Part Codes

Option:	Code:	Description:
Type:	ISCP4A-PB ISCP4B-PB	Type A - no end of line devices Type B - choice of end of line devices
Switch Type: [s]	S	SPCO/SPDT
Terminals: [t]	S	6 × 4mm <sup>2</sup> terminals
Lift flap: [l]	L	Lift flap
Cable Entry Type: [e]	A B C D E F G	3 x M20x1.5mm 2 × 1/2" NPT - adaptors 2 × 3/4" NPT - adaptors 2 x M25x1.5mm - adaptors 1 × 1/2" NPT - adaptor 1 × 3/4" NPT - adaptor 1 x M25x1.5mm - adaptor
Stopping plug material: [m]	B N P S	Brass Nylon Nickel Plated Brass Stainless Steel
Duty label / Equipment tag: [d]	1 2 3 4 5 6 7	No Duty label, no Equip. tag Duty label Stainless Steel Duty label St/St + Equip. tag Duty label Metalised Polyester Duty label M. Poly. + Equip. tag Equip. tag only Special label requirement
Product version: [v]	A1	IECEX & ATEX approved
Enclosure colour: [x]	R, B, N, Y, V, S, K, M, Z	Red, Blue, Green, Yellow Red/White, Yellow/Black, Black, Magenta, Red/Black
E.O.L. Module: [Exxx] optional	ExxxR	Resistor value in Ohms e.g. E470R = 470 Ohm (only required for ISCP4B type)
Series Module: [Sxxx] optional	SxxxR	Resistor value in Ohms e.g. E1K5R = 1.5K Ohm (only required for ISCP4B type)
<b>Accessories:</b>	SP65-0001-A4 SP65-0002-A4	Pole Mount Bracket Kit 2" St/St A4 (316) Sunshade - St/St A4 (316)