

# CX Conventional Manual Callpoints

Avertisseurs D'incendie Manuels Adressables  
Aufzubare Manuelle Feuermeldestellen  
Adresseerbare Handmeldpunten  
Adresserbar Manuell Larmpunkt

Pulsador Manual Direccionable  
Avvisatori Di Incendio Manuali Indirizzabili  
Διευθυσιοδοτουμενα Χαιροκινητα Μπουτον  
Αναγγελιας Πυρκαγιας

Konwencjonalne Ręczne  
Ostrzegacze Pożarowe

## Technical Data

EATON	CXL/GP/R/BB	CXL/GP/R/WP <sup>(3)</sup>	CXM/CO/GP/R/BB	CXM/CO/GP/R/WP <sup>(3)</sup>
CE	14 2831 DoP0071 <sup>(1)</sup>	14 2831 DoP0073 <sup>(1)</sup>	14 2831 DoP0074 <sup>(2)</sup>	14 2831 DoP0076 <sup>(1)</sup>
			14 2831 DoP0078 <sup>(1)</sup>	14 2831 DoP0077 <sup>(2)</sup>

Fire Alarm Device – Manual call points for indoor (type A) and outdoor<sup>(3)</sup> (type B) use

### Essential Characteristics

Harmonized Technical Specification: EN54-11:2001 + A1:2005

Clause(s)	Performance
4.3.2, 4.4, 4.7.1, 4.7.4, 5.2, 5.3	Pass
4.2, 4.3.1, 4.5, 4.6, 4.7.2, 4.7.3, 4.7.5, 4.8, 5.4, 5.5	Pass
5.7, 5.8 <sup>(3)</sup> , 5.9	Pass
5.14 to 5.17	Pass
5.10, 5.11 <sup>(3)</sup> , 5.12, 5.19 <sup>(3)</sup>	Pass
5.11, 5.13	Pass
5.6, 5.18	Pass

<sup>(1)</sup> Manufactured by Digital Lighting Co. Ltd, China

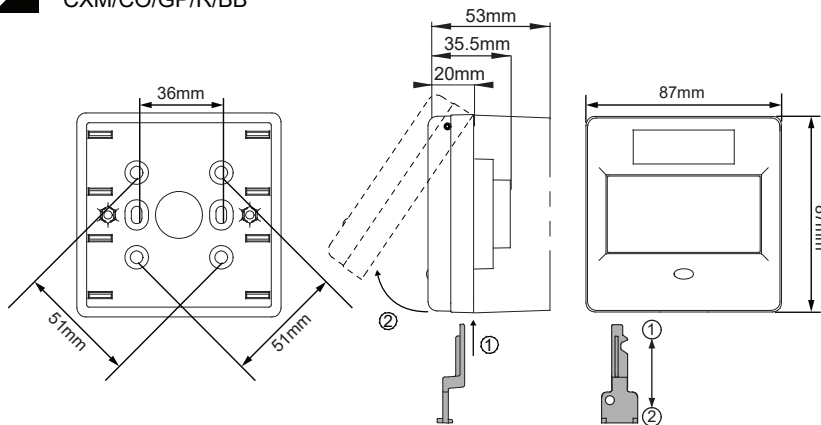
<sup>(2)</sup> Manufactured by Eaton Electrical Products Ltd, UK


<sup>(3)</sup> Applicable to WP variants only

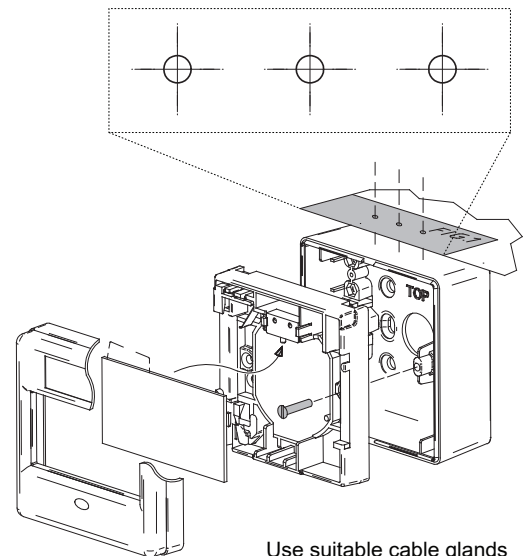
	CXL/GP/R	CXM/CO/GP/R	CXL/GP/R/WP	CXM/CO/GP/R/WP
Operating voltage	9 - 30Vdc			
Switch Characteristics	470 ohms / 680 ohms	3A SPCO	470 ohms / 680 ohms	3A SPCO
Cable size	FIRETUF, FP200 or MICC 0.28mm <sup>2</sup> - 2.5mm <sup>2</sup>			
Ambient temperature (min/max)	-10°C to +55°C (95%RH)		-25°C to +70°C (95%RH)	
Material	ABS V0			
Environmental category (IP rating)	Indoor IP21C (IP24*)		Outdoor IP33C (IP66*)	


\* Manufacturer's declaration

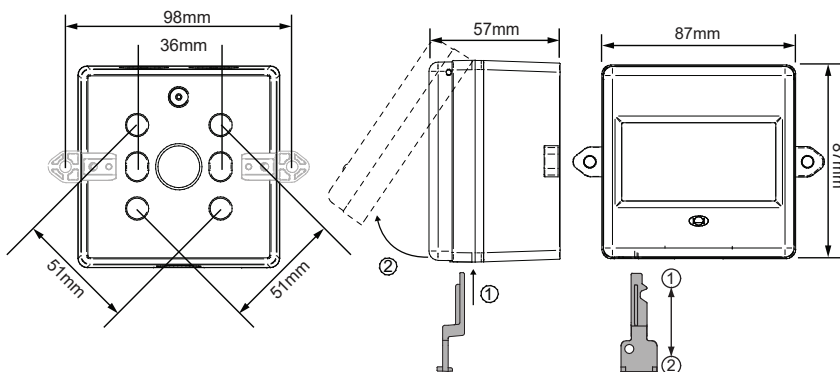
 CXL/GP/R/BB  
CXM/CO/GP/R/BB




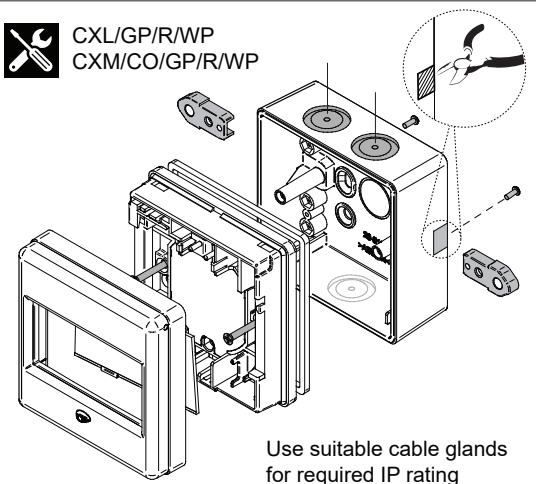
 CXL/GP/R/BB  
CXM/CO/GP/R/BB



 CXL/GP/R/WP  
CXM/CO/GP/R/WP

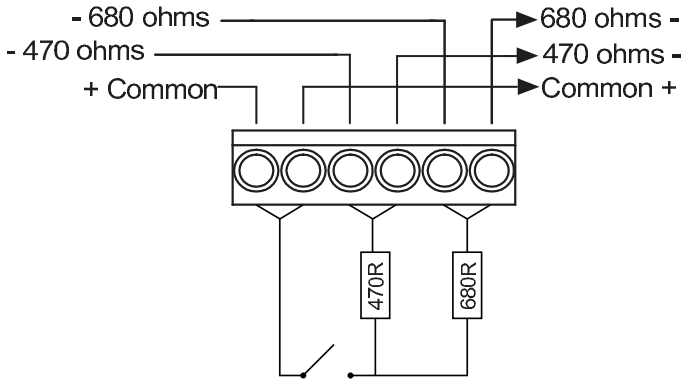


 CXL/GP/R/WP  
CXM/CO/GP/R/WP

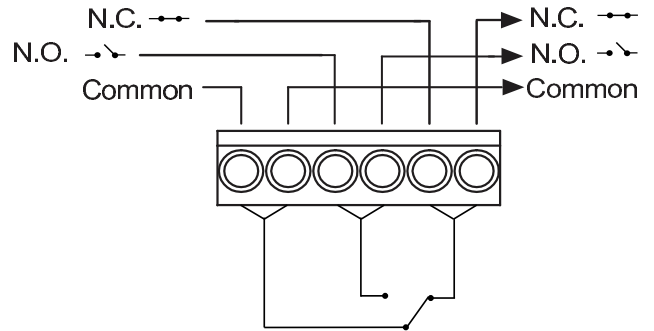




470 ohms / 680 ohms



3A SPCO



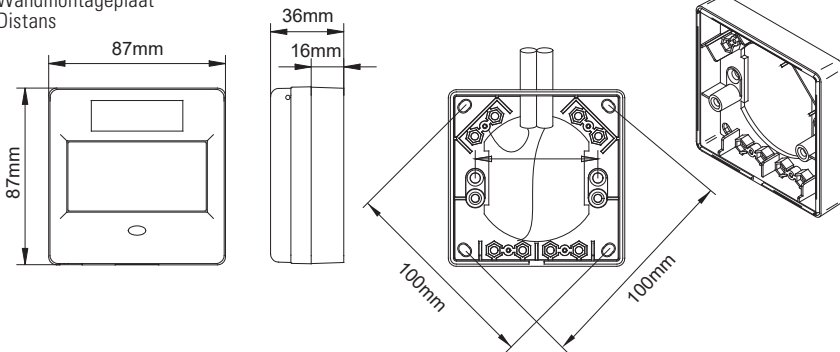
### CALLPOINT ACCESSORIES

Accessoires Pour Avertisseurs D'incendie  
Feuermeldstellenzubehör  
Meldpunt-Accessoires

Akcesoria Do Ręcznych Ostrzegaczy Pożarowych  
Tillbehör För Larmpunkter  
Accesorios De Los Pulsadores  
Accessori Avvisatori Di Incendio  
Παρελκόμενα Μπουτον Αναγγελίας

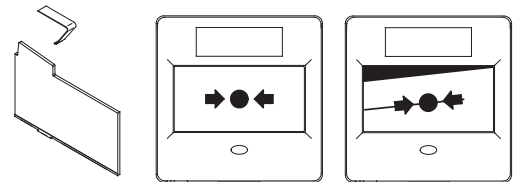
**SPACER**  
Entretoise  
Distanzstück  
Wandmontageplaat  
Distans  
Espaciador  
Distanziatore  
Διαχωριστικός Αποστατής

Element Dystansowy

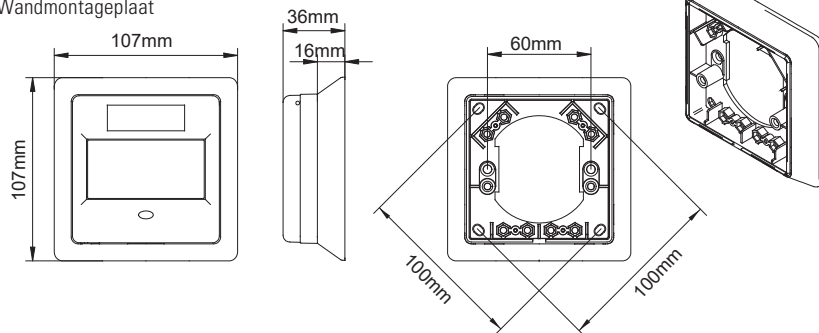


### RE-SETTABLE PLASTIC ELEMENT

Élément En Plastique Ré-Encastrable  
Rückstellbares Kunststoffelement  
Herbruikbaar Plastic Ruitje  
Återställbart Plastelement  
Elemento Plástico  
Reemplazable  
Elemento In Plastica  
Regolabile  
Επαναφερομενο Πλαστικο  
Στοιχειο  
Plastikowy Element Zamienny



**BEZEL**  
Collerette  
Blende  
Afgeschiinde  
Wandmontageplaat  
Infatting  
Bisel  
Cornice  
Δακτυλιος Συγκρατησης  
Ramka Montażowa



### CLEAR HINGED FLAP

Clapet Articulé Transparent  
Durchsichtige Klappe Mit Scharnier  
Doorzichtige Scharnierende Deksel  
Genomskinligt Uppfällbart Lock  
Tapa Levantable Transparente  
Sportellino Ribaltabile  
Trasparente  
Διαφανες Αρθρωτο Καλυμμα  
Pokrywa Ochronna

