

DL112X Alarm Sounder & Xenon Beacon

The DL112X is a high output, 119dB(A) alarm sounder with integrated 5 Joule Xenon beacon. Featuring a corrosion proof, marine grade aluminium die cast enclosure. UL approved.

Low current consumption and high SPL in a robust IP66 enclosure ensure the DL112X is suitable for all general signalling applications including fire, security and process control. The corrosion proof, marine grade aluminium die cast enclosure is chromated and powder coated providing resilience in the harshest of industrial environments.

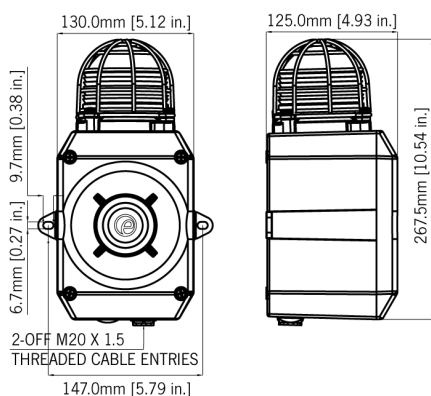
Features

- Automatic synchronisation
- Continuously rated
- Dual M20x1.5mm threaded cable entries - adaptors available
- Ingress protection IP66 Type 4/4X/13/3R
- 45 alarm tone frequencies and 3 remotely activated alarm stages
- Available with custom tone configurations and frequencies
- Diode polarized for use in supervised circuits

Approvals

- UL: UL464A & UL1638A
- cUL: CSA C22.2 No. 205 - M1983
- CSFM listing: 7135-2279:0511
- EAC CU TR 043/2017: B.00291/21
- EAC: RU D-GB.GA05.B.12595-20





Specification

Alarm Horn:

Maximum output:	119dB(A) @ 1m +/- 3dB [110dB(A) @ 10ft/3m +/- 3dB]
Nominal output:	112dB(A) @ 1m +/- 3dB [103dB(A) @ 10ft/3m +/- 3dB]
No. of tones:	45 (UK00A / PFEER compliant)
No. of stages:	3
Volume control:	-12dB(A) tone dependent
Effective range:	125m/410ft @ 1KHz
Stage switching:	Negative (common positive)

Xenon Strobe:

Energy:	5 Joules(5Ws)
Flash rate:	1Hz (60 fpm) DC units: 1.5Hz (90 fpm) & Double strike
Peak Candela:	500,000 cd - calculated from energy (J)
Effective cd:	250 cd - calculated from energy (J)
Peak Candela:	86,935 cd* - measured ref. to I.E.S.
Effective cd:	200 cd* - measured ref. to I.E.S.
Tube life:	Emissions may reduce to 70% after 8 million flashes

General:

Ingress protection:	IP66 Type 4/4X/13/3R
Enclosure:	Marine grade aluminium A1 Si 12 Cu
Lens colour filter:	Field replaceable UV stable PC
Terminals:	0.5 - 2.5mm ² (20-14 AWG)
Line monitoring:	Diode polarized for use in supervised circuits
Operating temp:	-40 to +55°C [-40° to +131°F]
Storage temp:	-40 to +70°C [-40° to +158°F]
Relative humidity:	90% at 20°C [68°F]
Vibration test:	35Hz for a duration 4Hr (UL464/UL1638)
Jarring test:	3ft/lb Energy (UL464/UL1638)
Impact test:	3x 5lb (UL464/UL1638)
MTBF DC:	225.16 years / 1,972,386 hours - MIL 217
MTBF AC:	138.96 years / 1,217,285 hours - MIL 217
Weight DC:	2.10kg / 4.62lbs
Weight AC:	2.35kg / 5.17lbs

Part Codes

Variable:	Identifier:	Description:
Product type:	DL112X	Combined alarm horn sounder & Xenon strobe
Voltage:	DC012 DC024 DC048 AC024 AC115 AC230	12Vdc (11.5-14Vdc) 24Vdc (20-28Vdc) 48Vdc (42-54Vdc) 24Vac 50/60Hz 115Vac 50/60Hz 230Vac 50/60Hz
Backbox/cable entries: [e]	A B	Back box with mounting lugs - 2 x M20x1.5mm entries Back box with mounting lugs - 2 x 1/2"NPT (adaptors)
Stopping plug material: [m]	A	ABS
Equipment tag: [s]	0 1	No equipment tag 316 (A4) Stainless Steel Equipment tag
Product version: [v]	A	UL/cUL, EAC, CE, UKCA
Product option: [o]	1 X Z	Standard product Custom configuration - contact E2S Custom alarm tone software - contact E2S
Enclosure: [x]	R G S	Red (RAL 3000) Grey (RAL 7038) Special colour - contact E2S
Lens colour: [y]	A, B, C, G, M, R, Y	Amber, Blue, Clear, Green, Magenta, Red, Yellow

Current Consumption

Product Version:	Nominal Voltage:	Voltage Range:	Beacon Current:	Horn Current:
DC012	12Vdc	10-14Vdc	341mA	200mA
DC024	24Vdc	20-28Vdc	250mA	200mA
DC048	48Vdc	42-54Vdc	170mA	120mA
AC024	24Vac	24-28Vac 50/60Hz	300mA	500mA
AC115	115Vac	±10% 50/60Hz	70mA	100mA
AC230	230Vac	±10% 50/60Hz	35mA	60mA

Tone table

S 1	Description	S 2	S 3	S 1	Description	S 2	S 3
T 1	340 Hz Continuous	T 2	T 5	T 33	745Hz @ 1Hz Intermittent	T 2	T 5
T 2	800/1000Hz @ 0.25 sec Alternating	T 17	T 5	T 34	1000 & 2000Hz @ 0.5 sec Alternating - Singapore	T 38	T 45
T 3	500/1200Hz @ 0.3Hz 0.5 sec Slow Whoop	T 2	T 5	T 35	420Hz @ 0.625 sec Australian Alert	T 36	T 5
T 4	800/1000Hz @ 1Hz Sweeping	T 6	T 5	T 36	500-1200Hz 3.75sec /0.25sec. Australian Evac.	T 35	T 5
T 5	2400Hz Continuous	T 3	T 20	T 37	1000Hz Continuous - PFEER Toxic Gas	T 9	T 45
T 6	2400/2900Hz @ 7Hz Sweeping	T 7	T 5	T 38	2000Hz Continuous	T 34	T 45
T 7	2400/2900Hz @ 1Hz Sweeping	T 10	T 5	T 39	800Hz 0.25sec on, 1 sec off Intermittent	T 23	T 17
T 8	500/1200/500Hz @ 0.3Hz Sweeping	T 2	T 5	T 40	544Hz (100mS)/440Hz (400mS) - NF S 32-001	T 31	T 27
T 9	1200/500Hz @ 1Hz - DIN / PFEER P.T.A.P.	T 15	T 2	T 41	Motor Siren - slow rise to 1200 Hz	T 2	T 5
T 10	2400/2900Hz @ 2Hz Alternating	T 7	T 5	T 42	Motor Siren - slow rise to 800 Hz	T 2	T 5
T 11	1000Hz @ 1Hz Intermittent	T 2	T 5	T 43	1200 Hz Continuous	T 2	T 5
T 12	800/1000Hz @ 0.875Hz Alternating	T 4	T 5	T 44	Motor Siren - slow rise to 2400 Hz	T 2	T 5
T 13	2400Hz @ 1Hz Intermittent	T 15	T 5	T 45	1KHz 1s on, 1s off Intermittent - PFEER Gen. ...	T 38	T 34
T 14	800Hz 0.25sec on, 1 sec off Intermittent	T 4	T 5				
T 15	800Hz Continuous	T 2	T 5				
T 16	660Hz 150mS on, 150mS off Intermittent	T 18	T 5				
T 17	544Hz (100mS)/440Hz (400mS) - NF S 32-001	T 2	T 27				
T 18	660Hz 1.8sec on, 1.8sec off Intermittent	T 2	T 5				
T 19	1.4KHz-1.6KHz 1s, 1.6KHz-1.4KHz 0.5s -NFC48-265	T 2	T 5				
T 20	660Hz Continuous	T 2	T 5				
T 21	554Hz/440Hz @ 1Hz Alternating	T 2	T 5				
T 22	544Hz @ 0.875 sec. Intermittent	T 2	T 5				
T 23	800Hz @ 2Hz Intermittent	T 6	T 5				
T 24	800/1000Hz @ 50Hz Sweeping	T 29	T 5				
T 25	2400/2900Hz @ 50Hz Sweeping	T 29	T 5				
T 26	Bell	T 2	T 15				
T 27	554Hz Continuous	T 26	T 5				
T 28	440Hz Continuous	T 2	T 5				
T 29	800/1000Hz @ 7Hz Sweeping	T 7	T 5				
T 30	300Hz Continuous	T 2	T 5				
T 31	660/1200Hz @ 1Hz Sweeping	T 26	T 5				
T 32	Two T chime.	T 26	T 15				