

# DL112H Alarm Horn Sounder & LED Beacon

The DL112H is a high output, 119dB(A) alarm sounder with integrated multi-function LED beacon. Featuring a corrosion proof, marine grade aluminium die cast enclosure. UL approved.

Low current consumption and high sound output combined with a 113cd LED beacon in a robust IP66 enclosure ensures the DL112H is suitable for all general signalling applications including fire, security and process control. The enclosure is chromated and powder coated providing resilience in the harshest of industrial environments.

## Features

- Automatic synchronisation
- Continuously rated
- Dual M20x1.5mm threaded cable entries - adaptors available
- Ingress protection IP66 Type 4/4X/13/3R
- 45 alarm tone frequencies and 3 remotely activated alarm stages
- Available with custom tone configurations and frequencies
- Diode polarized for use in supervised circuits

## Approvals

- UL: UL464A & UL1638A
- cUL: CSA C22.2 No. 205 - M1983
- CSFM listing: 7135-2279:0511
- EAC CU TR 043/2017: B.00291/21
- EAC: RU D-GB.GA05.B.12595-20
- CE, UKCA



## Specification

### Alarm Horn:

Maximum output: 119dB(A) @ 1 m ±3dB  
[110dB(A) @ 10ft/3m ±3dB]

Nominal output: 112dB(A) @ 1m ±3dB  
[103dB(A) @ 10ft/3m ±3dB]

No. of tones: 45 (UKOOA / PFEER compliant)

No. of stages: 3

Volume control: -12dB(A) tone dependent

Effective range: 125m/410ft @ 1KHz

Stage switching: Negative (common positive)

### L.E.D Beacon:

Light source: High intensity L.E.D. array.  
18x Cree© SMT White LED

High Power Steady: 180 cd – measured ref. to I.E.S.

1Hz Flash cd: 113 cd – measured ref. to I.E.S.

LED life: 60,000 hours

Settings:

1. High Power Steady
2. Blinking – 425ms ON 75ms OFF
3. 1.0Hz (60 fpm) – 200ms ON 800ms OFF
4. 1.5Hz (90fpm) – 150ms ON 600ms OFF
5. Double Flash
6. Triple Flash
7. 2.0Hz (120fpm) – 125ms ON 375ms OFF
8. Temporal Pattern Flash

### General:

Ingress protection: IP66 Type 4/4X/13/3R

Enclosure: Marine grade aluminium A1 Si12 Cu

Lens colour filter: Field replaceable UV stable PC

Terminals: 0.5 – 2.5mm<sup>2</sup> (20-14 AWG)

Line monitoring: Diode polarized for use in supervised circuits

Operating: -25 to +55°C [-13° to +131°F]

Storage: -40 to +70°C [-40° to +158°F]

Relative humidity: 90% at 20°C [68°F]

Vibration test: 35Hz for a duration 4Hr (UL464/UL1638)

Jarring test: 3ft/lb Energy (UL464/UL1638)

Impact test: 3x 5lb (UL464/UL1638)

MTBF DC: 230.00 years / 2,012,072.43 hours – MIL 217

MTBF AC: 226.00 years / 1,978,239.37 hours – MIL 217

Weight DC: 2.80kg / 6.16lbs

Weight AC: 3.10kg / 6.82lbs

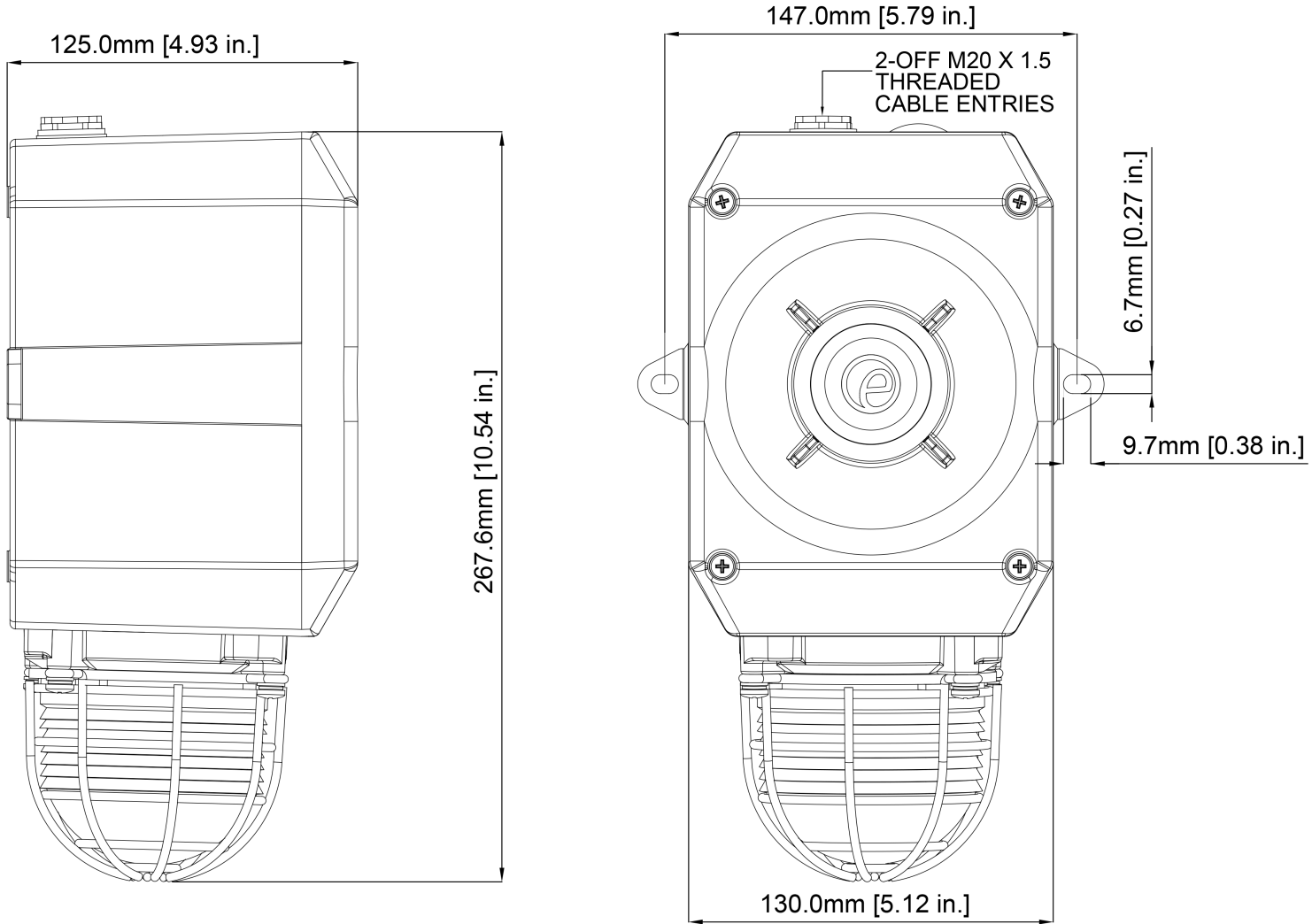
## Part Codes

Variable: Identifier: Description:

Product type:	DL112H	Combined alarm horn sounder & LED beacon
Voltage:	DC024 DC048 AC115 AC230	24Vdc (12-30Vdc) 48Vdc (35-60Vdc) 115Vac 50/60Hz 230Vac 50/60Hz
Back box/cable entries: [e]	A B	Back box with mounting lugs – 2 x M20x1.5mm Back box with mounting lugs – 2 x 1/2"NPT (adaptors)
Stopping plug material: [m]	A	ABS
Equip. tag/Duty label: [s]	0 1 2	No equip. tag or Duty label 316 (A4) St/St Equip. tag/Duty label Metalised Polyester Equip. tag/Duty label
Product version: [v]	A	UL/cUL, EAC, CE, UKCA
Product option: [o]	1 X Z	Standard product Custom configuration – contact E2S Custom alarm tone software – contact E2S
Enclosure: [x]	R G S	Red (RAL 3000) Grey (RAL 7038) Special colour – contact E2S
Lens colour: [y]	A B C G M R Y	Amber Blue Clear Green Magenta Red Yellow

## Current Consumption

Product Version:	Nominal Voltage:	Voltage Range:	Beacon Current:	Horn Current:
DC024	24Vdc	12-30Vdc	87mA	200mA
DC048	48Vdc	35-60Vdc	60mA	120mA
AC115	115Vac	±10% 50/60Hz	34mA	100mA
AC230	230Vac	±10% 50/60Hz	19mA	60mA



## Tone table

S 1	Description	S 2	S 3
T 1	340 Hz Continuous	T 2	T 5
T 2	800/1000Hz @ 0.25 sec Alternating	T 17	T 5
T 3	500/1200Hz @ 0.3Hz 0.5 sec Slow Whoop	T 2	T 5
T 4	800/1000Hz @ 1Hz Sweeping	T 6	T 5
T 5	2400Hz Continuous	T 3	T 20
T 6	2400/2900Hz @ 7Hz Sweeping	T 7	T 5
T 7	2400/2900Hz @ 1Hz Sweeping	T 10	T 5
T 8	500/1200/500Hz @ 0.3Hz Sweeping	T 2	T 5
T 9	1200/500Hz @ 1Hz - DIN / PFEER P.T.A.P.	T 15	T 2
T 10	2400/2900Hz @ 2Hz Alternating	T 7	T 5
T 11	1000Hz @ 1Hz Intermittent	T 2	T 5
T 12	800/1000Hz @ 0.875Hz Alternating	T 4	T 5
T 13	2400Hz @ 1Hz Intermittent	T 15	T 5
T 14	800Hz 0.25sec on, 1 sec off Intermittent	T 4	T 5
T 15	800Hz Continuous	T 2	T 5
T 16	660Hz 150mS on, 150mS off Intermittent	T 18	T 5
T 17	544Hz (100mS)/440Hz (400mS) - NF S 32-001	T 2	T 27
T 18	660Hz 1.8sec on, 1.8sec off Intermittent	T 2	T 5
T 19	1.4KHz-1.6KHz 1s, 1.6KHz-1.4KHz 0.5s -NFC48-265	T 2	T 5
T 20	660Hz Continuous	T 2	T 5
T 21	554Hz/440Hz @ 1Hz Alternating	T 2	T 5
T 22	544Hz @ 0.875 sec. Intermittent	T 2	T 5
T 23	800Hz @ 2Hz Intermittent	T 6	T 5
T 24	800/1000Hz @ 50Hz Sweeping	T 29	T 5
T 25	2400/2900Hz @ 50Hz Sweeping	T 29	T 5
T 26	Bell	T 2	T 15
T 27	554Hz Continuous	T 26	T 5
T 28	440Hz Continuous	T 2	T 5
T 29	800/1000Hz @ 7Hz Sweeping	T 7	T 5
T 30	300Hz Continuous	T 2	T 5
T 31	660/1200Hz @ 1Hz Sweeping	T 26	T 5
T 32	Two T chime.	T 26	T 15

S 1	Description	S 2	S 3
T 33	745Hz @ 1Hz Intermittent	T 2	T 5
T 34	1000 & 2000Hz @ 0.5 sec Alternating - Singapore	T 38	T 45
T 35	420Hz @ 0.625 sec Australian Alert	T 36	T 5
T 36	500-1200Hz 3.75sec /0.25sec. Australian Evac.	T 35	T 5
T 37	1000Hz Continuous - PFEER Toxic Gas	T 9	T 45
T 38	2000Hz Continuous	T 34	T 45
T 39	800Hz 0.25sec on, 1 sec off Intermittent	T 23	T 17
T 40	544Hz (100mS)/440Hz (400mS) - NF S 32-001	T 31	T 27
T 41	Motor Siren - slow rise to 1200 Hz	T 2	T 5
T 42	Motor Siren - slow rise to 800 Hz	T 2	T 5
T 43	1200 Hz Continuous	T 2	T 5
T 44	Motor Siren - slow rise to 2400 Hz	T 2	T 5
T 45	1KHz 1s on, 1s off Intermittent - PFEER Gen. ...	T 38	T 34