



Clifford & Snell

Yodalarm YA50

Multi-purpose Audible Signalling Device designed for use in Commercial, Industrial & Marine applications.

PRODUCT FEATURES

- Max sound output 112 dB (A) @ 1m
- IP66 rated as standard
- 32 selectable tones meeting international regulations
- Flame retardant ABS enclosure
- Stainless steel fixings
- 2 stage alarm
- Independently selectable second stage (optional)
- Low current consumption
- Robust, reliable and simple to install



Product Approvals



Marine Equipment Directive MED
Regulations EN 54-3:2014 incl. A1:2019
IEC 60092-504:2016 IEC 60533:2015
Module B (BSI/MED/3.53/756093)
Module D (BSI/MED/PC/756095)



Compliant



Merchant Shipping (Marine Equipment)
Regulations EN 54-3:2014 incl. A1:2019,
IEC 60092-504:2016 IEC 60533:2015
Module B (BSI/UK/3.53/738807)
Module D (BSI/UK/PC/738808)



BS EN 54-3 : 2001 + A1:2002 + A2:2006
Type B



BS EN 54-3 : 2001 + A1:2002 + A2:2006
Type B



Compliant

UK +44 (0) 121 446 5322 FR +33 (0) 170 721 271

uksales@moflash.co.uk

exportsales@moflash.co.uk

KM-europ@moflash.com

www.moflash.com

Issue 2

TECHNICAL DATA

Ambient Conditions	
Operating Temperatures	
Standard General	-35 °C to +70 °C
EN54 Pt:3 Fire	-25 °C to +55 °C
Storage Temperature	-40 °C to +70 °C
Max. Relative Humidity	93% ± 3 at 40 °C

Electrical Data	
Operating Voltage	Current Draw
24vDC ---	35 mA at Tone 1
24/50vDC BT ---	35 mA
48vDC ---	35 mA
110vDC ---	55 mA
24vAC ~	100 mA
115vAC ~	30 mA
230vAC ~	20 mA
Operational Parameters	± 10% of nominal

Mechanical Data	
Enclosure Material	ABS FR UL94 5VB
External Fixings	Stainless Steel
Degree of Protection	IP66 (IEC60529)

Acoustic Data	
Maximum Volume Output	112dB (A)
Volume Control Adjustment	-18 dB (A)
2 Stage Alarm with predetermined second stage as standard.	
Selectable second stage option available (DC units only) (2)	

Mounting / Installation

Devices should be mounted to a suitable flat wall or bulkhead avoiding any undue vibration and using the two lugs projecting from the case. The lugs are bored 8mm on 153mm centres. The minimum length of fixing screw required is 25mm. To maintain the IP rating of the enclosure, the cable entries must be fitted with a suitably rated cable gland (included). Max cable termination 2.5mm².

Line Integrity on DC Systems

- For 3 wire 2 stage alarm system, monitor via reverse polarity.
- For 2 wire 2 stage alarm system, monitor via threshold, (applied voltage < 1v) an end-of-line (E.O.L) resistor is required for line monitoring and should have a minimum resistance of 3k3 Ohms and 0.5 Watts, wire-wound or metal film type.

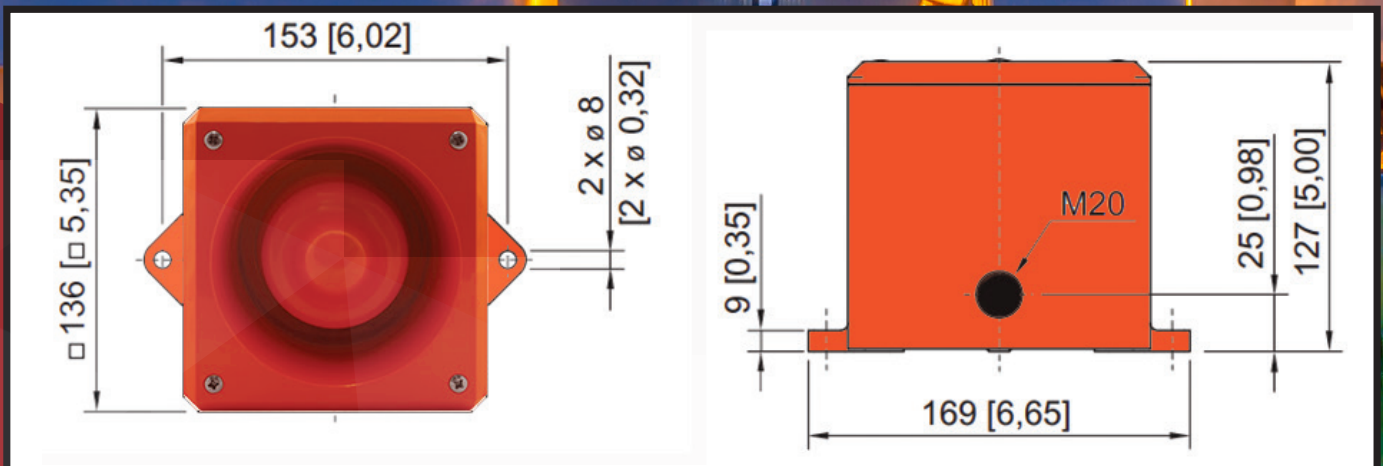
Multi-Stage Alarm Options

Standard units offer a 2 stage alarm system with a predetermined second stage (see Tone Table on the Installation Sheet for details). A selectable second stage option is available for DC units only with the (2) prefix code in the selection table on page 3. Units with upto 8 independently selectable stages are available in a range of input voltages. Contact our technical dept for further information.

Dimensional Drawing

We reserve the right to make alterations to the technical data, dimensions, weights, designs and products available without notice. The illustrations cannot be considered binding.

(All Dimensions in mm [inches]) - Subject to alterations



SELECTION

Version	Enclosure Colour	Rated Operational Voltage	Order Number	Art. No.	Weight (Kg)
YA50 Sounder BS EN 54 Pt:3 UKCA, CE & MED	Red Flame (RF) RAL 2002	24vDC ---	YA50/D/RF/WR	204881	0.71
		24vDC ---	YA50/D/RF/WR(2)	204885	0.71
		24/50vDC BT	YA50/E/RF/WR	204890	0.71
		48vDC ---	YA50/F/RF/WR	204895	0.71
		110vDC ---	YA50/H/RF/WR	204367	0.71
		24vAC ~	YA50/I/RF/WR	245155	0.71
		115vAC ~	YA50/L/RF/WR	204374	0.81
		230vAC ~	YA50/N/RF/WR	204382	0.81
Network Rail 086/024495	Red Flame (RF) RAL 2002	48vDC ---	YA50/F/RF/WR	204895	0.81
Network Rail 086/024000 Certificate PA05/07230 For Use on TOWS / TAWS systems	Red Flame (RF) RAL 2002	110vAC ~	YA50/L/RF/WR	214238	0.81
Network Rail 0086/023552	Red Flame (RF) RAL 2002	24/50vDC BT	YA50/E/RF/WR	204890	0.71