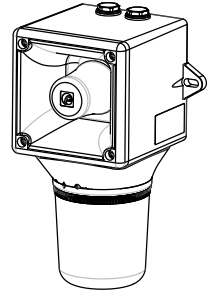


INSTRUCTION & SERVICE MANUAL

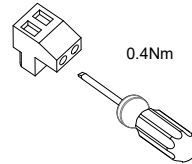
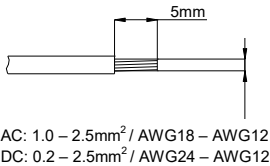
AB105STR SpectrAlarm Combined Alarm Horn Sounder & Xenon Beacon

- Sounder unit: Alarm horn sounder: 64 tones, 4 stages
- Xenon Strobe Flashing Beacon: 5 Joules
- Flash rates (DC versions): 1Hz, 1.5Hz, Double flash or Stage switchable to Double Flash
- Flash rate (AC versions): 1Hz
- IP Rating: IP65
- Temp: -40C to + 66C
- Unit weight: 1.15kg DC 1.30kg AC
- CE & UKCA
- 2-off M20 x 1.5 thread entries.



| Unit Type Code | Nominal Voltage | Voltage Range | Nominal Sounder Current | Nominal Beacon Current | Nominal SPL | Max SPL | Average SPL |
|----------------|-----------------|---------------------------|-------------------------|------------------------|----------------------------|---------------------------|------------------------------|
| AB105STRDC012 | 12VDC | 10-15Vdc | 17mA | 600mA | 105.3dB(A) Tone 44 @ 1m | 110.9dB(A) Tone 4 @ 1m | 105.2dB(A) All tones @ 1m |
| AB105STRDC024 | 24VDC | 20-28Vdc | 33.5mA | 300mA | | | |
| AB105STRDC048 | 48VDC | 42-54Vdc | 113mA | 250mA | | | |
| AB105STRAC024 | 24VAC | 22-26Vac 50/60Hz | 42.5mA | 300mA | | | |
| AB105STRAC115 | 115VAC | 103.5-126.5Vac 50/60Hz | 25mA | 70mA | | | |
| AB105STRAC230 | 230VAC | 207-253Vac 50/60Hz | 17mA | 35mA | | | |

Supply voltage variation of +/-10% outside the voltage range is permissible
Nominal current at nominal voltage



Attention: Installation must be carried out by an electrician in compliance with the latest codes and regulations.

Attention: L'installation doit être effectuée par un électricien conformément aux derniers codes et réglementations.

Achtung: Die Installation muss von einem Elektriker gemäß den neuesten Vorschriften und Bestimmungen durchgeführt werden.

Attenzione: L'installazione deve essere eseguita da un elettricista in conformità con i codici e le normative più recenti.

Atención: La instalación debe ser realizada por un electricista de acuerdo con los últimos códigos y regulaciones.

Atenção: A instalação deve ser realizada por um electricista de acordo com os códigos e regulamentos mais recentes.

ВНИМАНИЕ: установка должна выполняться электриком в соответствии с последними нормами и правилами.

Attention: Disconnect from power source before installation or service to prevent electric shock

Attention: Débranchez-le de la source d'alimentation avant l'installation ou l'entretien pour éviter tout choc électrique.

Achtung: Vor Installation oder Wartung von der Stromquelle trennen, um einen Stromschlag zu vermeiden.

Attenzione: scollegare dall'alimentazione prima dell'installazione o dell'assistenza per evitare scosse elettriche.

Atención: desconéctelo de la fuente de alimentación antes de la instalación o el servicio para evitar descargas eléctricas.

Atenção: Desconecte da fonte de alimentação antes da instalação ou serviço para evitar choque elétrico

ВНИМАНИЕ: отключите от источника питания перед установкой или обслуживанием, чтобы предотвратить поражение электрическим током.

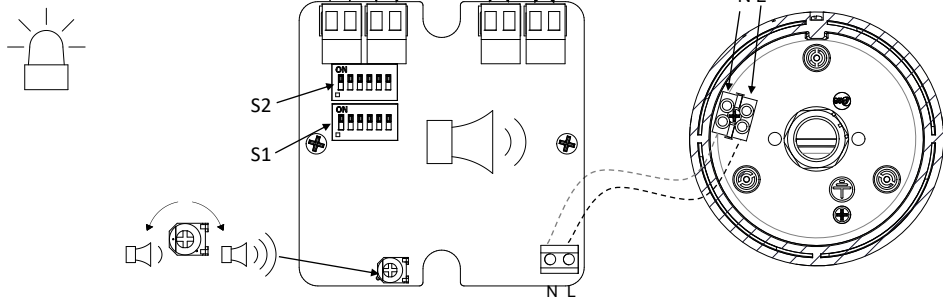


INSTRUCTION & SERVICE MANUAL

AB105STR SpectrAlarm Combined Alarm Horn Sounder & Xenon Beacon

AC

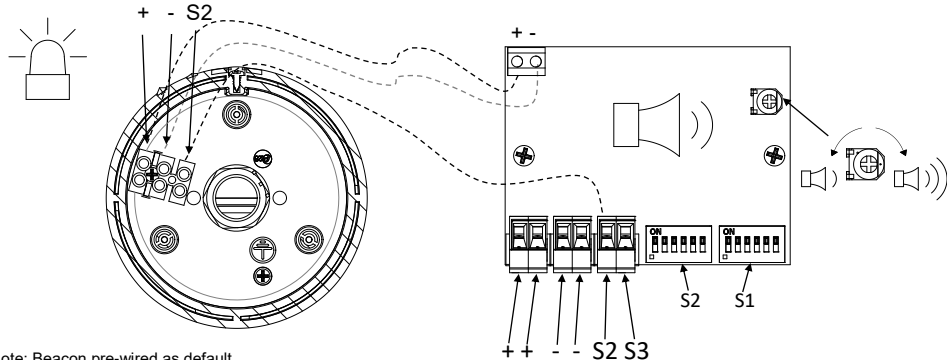
(See D118-06-001)



Note: Beacon pre-wired as default

DC

(See D118-06-001)

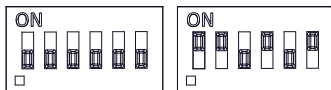


Note: Beacon pre-wired as default

(AC & DC, See D221-95-001)

Default = S2 - Tone 1

Default = S1 - Tone 44



(ON = 1, OFF = 0)

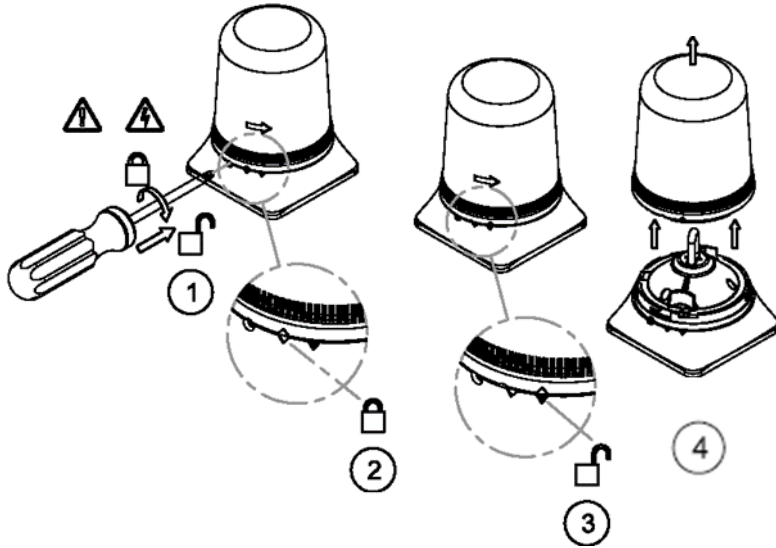
INSTRUCTION & SERVICE MANUAL

AB105STR SpectrAlarm Combined Alarm Horn Sounder & Xenon Beacon



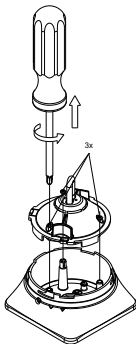
The Beacon lens cover is field replaceable.

To change the lens cover, rotate 1-off M4 pozi head screw clockwise, remove the existing lens by rotating the lens to align with the unlock markings as shown below. Replace the lens cover and rotate to the locked marking position. Rotate the 1-off M4 pozi head fastener anti-clockwise to secure the lens.

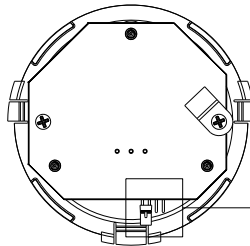


Attention: On strobe beacons allow a minimum of 2 minutes for hazardous high voltage to discharge from unit. Lens on unit will be hot allow to cool prior to removal.

To access the beacon mode settings, remove the beacon lens following the steps above then remove the 3-off pozi head screws. Reinstall the beacon in the same orientation.

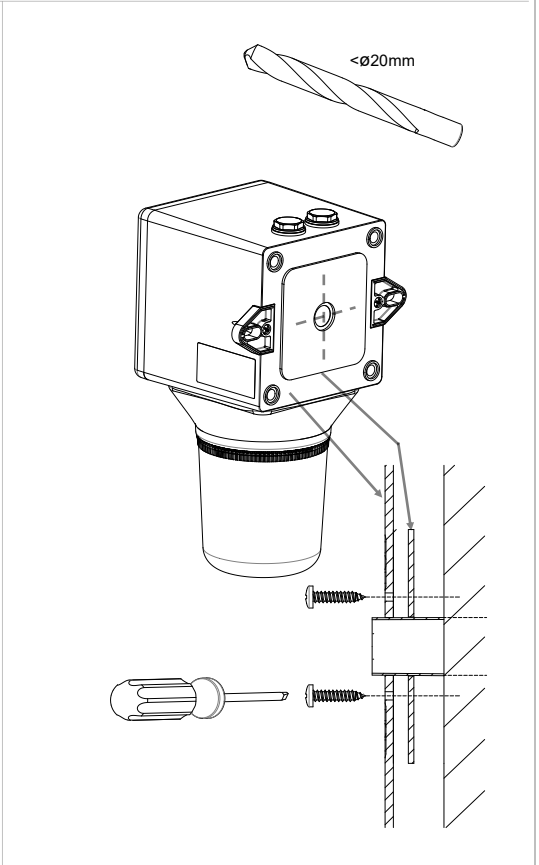
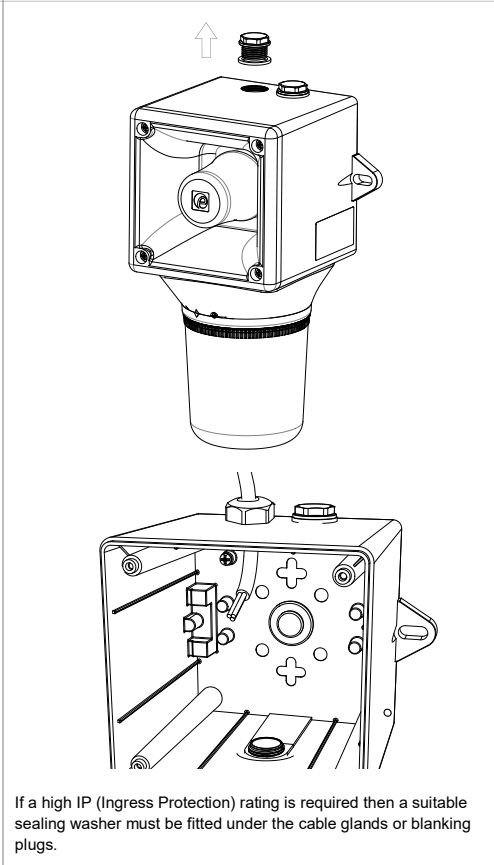
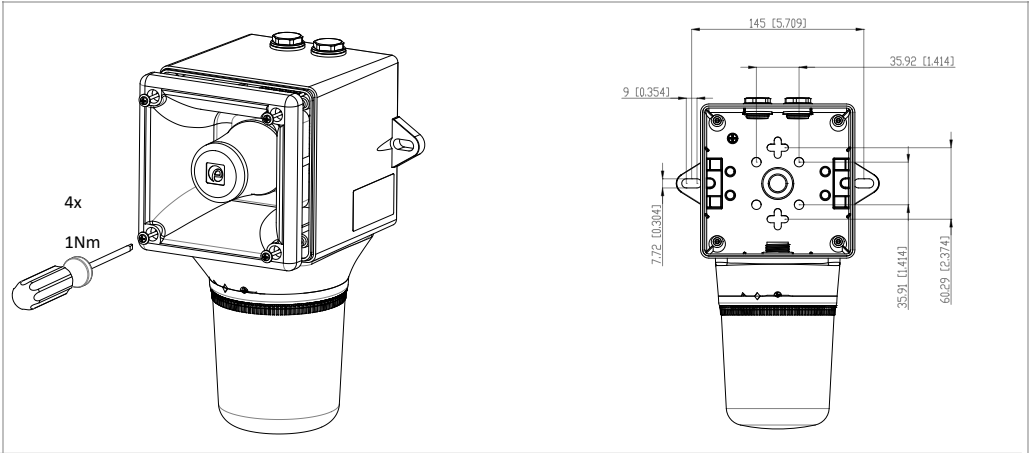


DC UNIT MODE SELECTION



| | | |
|--|-----------------------------|--|
| | 1Hz Flash (60FFM) | |
| | 1.5Hz Flash (90FFM) | |
| | Double Strike Flash Pattern | |

INSTRUCTION & SERVICE MANUAL
 AB105STR SpectrAlarm Combined Alarm Horn Sounder & Xenon
 Beacon



| Stage 1 Set DIP SW 1 Tone No. | Tone Description | Tone Visual | Stage 1 & 2 DIP SW 1/2 Settings 1 2 3 4 5 6 | Stage 3 Set DIP SW 1 (S3) | Stage 4 Set DIP SW 1 (S2 + S3) |
|-------------------------------|--|-------------|---|---------------------------|--------------------------------|
| 1 | 1000Hz PFEER Toxic Gas | | 0 0 0 0 0 | 2 | 44 |
| 2 | 1200/500Hz @ 1Hz DIN /PFEER P.T.A.P. | | 1 0 0 0 0 | 3 | 44 |
| 3 | 1000Hz @ 0.5Hz(1s on, 1soff) PFEER Gen. Alarm | | 0 1 0 0 0 | 2 | 44 |
| 4 | 1.4KHz-1.6KHz 1s, 1.6KHz-1.4KHz 0.5s NF C 48-265 | | 1 1 0 0 0 | 24 | 1 |
| 5 | 544Hz(100mS)/440Hz (400mS) NF S 32-001 | | 0 0 1 0 0 | 19 | 1 |
| 6 | 1500/500Hz - (0.5s on , 0.5s off) x3 + 1s gap AS4428 | | 1 0 1 0 0 | 44 | 1 |
| 7 | 500-1500Hz Sweeping 2 sec on 1 sec off AS4428 | | 0 1 1 0 0 | 44 | 1 |
| 8 | 500/1200Hz @ 0.26Hz (3.3son, 0.5s off) Netherlands - NEN 2575 | | 1 1 1 0 0 | 24 | 35 |
| 9 | 1000Hz (1s on, 1s off)x7 + (7s on, 1s off) IMO Code 1a | | 0 0 0 1 0 | 34 | 1 |
| 10 | 1000Hz (1s on, 1s off)x7 + (7s on, 1s off) IMO Code 1a | | 1 0 0 1 0 | 34 | 1 |
| 11 | 420Hz(0.5s on, 0.5s off)x3 + 1s gap ISO 8201 Temporal Pattern | | 0 1 0 1 0 | 1 | 8 |
| 12 | 1000Hz(0.5s on, 0.5s off)x3 + 1s gap ISO 8201 Temporal Pattern | | 1 1 0 1 0 | 1 | 8 |
| 13 | 422/775Hz - (0.85 on, 0.5 off) x3 + 1s gap NFPA - Temporal Coded | | 0 0 1 1 0 | 1 | 8 |
| 14 | 1000/2000Hz @ 1Hz Singapore | | 1 0 1 1 0 | 3 | 35 |
| 15 | 300Hz Continuous (f=300) | | 0 1 1 1 0 | 24 | 1 |
| 16 | 440Hz Continuous (f=440) | | 1 1 1 1 0 | 24 | 1 |
| 17 | 470Hz Continuous (f=470) | | 0 0 0 0 1 | 24 | 8 |
| 18 | 500Hz Continuous IMO code 2 (Low) (f=500) | | 1 0 0 0 1 | 24 | 8 |
| 19 | 554Hz Continuous (f=554) | | 0 1 0 0 1 | 24 | 8 |
| 20 | 660Hz Continuous (f=660) | | 1 1 0 0 1 | 24 | 35 |
| 21 | 800Hz IMO code 2 (High) (f=800) | | 0 0 1 0 1 | 24 | 35 |
| 22 | 1200Hz Continuous (f=1200) | | 1 0 1 0 1 | 24 | 35 |
| 23 | 2000Hz Continuous (f=2000) | | 0 1 1 0 1 | 3 | 35 |
| 24 | 2400Hz Continuous (f=2400) | | 1 1 1 0 1 | 20 | 35 |
| 25 | 440Hz @0.83Hz (50 cycles/minute) Intermittent (f=440, a=0.6, b=0.6) | | 0 0 0 1 1 | 44 | 8 |
| 26 | 470Hz @0.9Hz - 1.1s Intermittent (f=470, a=0.55, b=0.55) | | 1 0 0 1 1 | 44 | 8 |
| 27 | 470Hz @5Hz - (5 cycles/second) Intermittent (f=470, a=0.1, b=0.1) | | 0 1 0 1 1 | 44 | 8 |
| 28 | 544Hz @ 1.14Hz - 0.875s Intermittent (f=470, a=0.43, b=0.44) | | 1 1 0 1 1 | 24 | 8 |
| 29 | 655Hz @ 0.875Hz Intermittent (f=655, a=0.57, b=0.57) | | 0 0 1 1 1 | 24 | 8 |
| 30 | 660Hz @0.28Hz - 1.8sec on, 1.8sec off Intermittent (f=660, a=1.8, b=1.8) | | 1 0 1 1 1 | 24 | 8 |
| 31 | 660Hz @3.34Hz - 150mS on, 150mS off Intermittent (f=660, a=0.15, b=0.15) | | 0 1 1 1 1 | 24 | 8 |
| 32 | 745Hz @ 1Hz Intermittent (f=745, a=0.5, b=0.5) | | 1 1 1 1 1 | 24 | 8 |
| 33 | 800Hz - 0.25sec on, 1 sec off Intermittent (f=800, a=0.25, b=1) | | 0 0 0 0 1 | 24 | 8 |
| 34 | 800Hz @ 2Hz IMO code 3.a (High) Intermittent (f=800, a=0.25, b=0.25) | | 1 0 0 0 1 | 24 | 19 |
| 35 | 1000Hz @ 1Hz Intermittent (f=1000, a=0.5, b=0.5) | | 0 1 0 0 1 | 24 | 19 |
| 36 | 2400Hz @ 1Hz Intermittent (f=2400, a=0.5, b=0.5) | | 1 1 0 0 1 | 24 | 19 |
| 37 | 2900Hz @ 5Hz Intermittent (f=2900, a=0.1, b=0.1) | | 0 0 1 0 1 | 24 | 19 |
| 38 | 363/518Hz @ 1Hz Alternating (f=363, f1=518, a=0.1) | | 1 0 1 0 1 | 8 | 19 |
| 39 | 450/500Hz @ 2Hz Alternating (f=450, f1=500, a=0.25) | | 0 1 1 0 1 | 8 | 19 |
| 40 | 554/440Hz @ 1Hz Alternating (f=440, f1=554, a=0.5) | | 1 1 1 0 1 | 24 | 19 |
| 41 | 554/440Hz @ 0.625Hz Alternating (f=440, f1=554, a=0.8) | | 0 0 0 1 1 | 8 | 19 |
| 42 | 561/760Hz @0.83Hz (50 cycles/minute) Alternating (f=561, f1=760, a=0.6) | | 1 0 0 1 1 | 8 | 19 |
| 43 | 780/600Hz @ 0.96Hz Alternating (f=600, f1=780, a=0.52) | | 0 1 0 1 1 | 8 | 19 |
| 44 | 800/1000Hz @ 2Hz Alternating (f=800, f1=1000, a=0.25) | | 1 1 0 1 1 | 24 | 19 |
| 45 | 970/800Hz @ 2Hz Alternating (f=800, f1=970, a=0.25) | | 0 0 1 1 1 | 8 | 19 |
| 46 | 800/1000Hz @ 0.875Hz Alternating (f=800, f1=1000, a=0.57) | | 1 0 1 1 1 | 24 | 19 |
| 47 | 2400/2900Hz @ 2Hz Alternating (f=2400, f1=2900, a=0.25) | | 0 1 1 1 1 | 24 | 19 |
| 48 | 500/1200Hz @ 0.3Hz Sweeping (f=500, f1=1200, a=3.34) | | 1 1 1 1 1 | 24 | 12 |
| 49 | 560/1055Hz @ 0.18Hz Sweeping (f=560, f1=1055, a=5.47) | | 0 0 0 1 1 | 24 | 12 |
| 50 | 560/1055Hz @ 3.3Hz Sweeping (f=560, f1=1055, a=0.3) | | 1 0 0 1 1 | 24 | 12 |
| 51 | 600/1250Hz @ 0.125Hz Sweeping (f=600, f1=1250, a=8) | | 0 1 0 0 1 | 24 | 12 |
| 52 | 660/1200Hz @ 1Hz Sweeping (f=660, f1=1200, a=1) | | 1 1 0 0 1 | 24 | 12 |
| 53 | 800/1000Hz @ 1Hz Sweeping (f=800, f1=1000, a=1) | | 0 0 1 0 1 | 24 | 12 |
| 54 | 800/1000Hz @ 7Hz Sweeping (f=800, f1=1000, a=0.14) | | 1 0 1 0 1 | 24 | 12 |
| 55 | 800/1000Hz @ 50Hz Sweeping (f=800, f1=1000, a=0.02) | | 0 1 1 0 1 | 24 | 12 |
| 56 | 2400/2900Hz @ 7Hz Sweeping (f=2400, f1=2900, a=0.14) | | 1 1 1 0 1 | 24 | 12 |
| 57 | 2400/2900Hz @ 1Hz Sweeping (f=2400, f1=2900, a=1) | | 0 0 0 1 1 | 24 | 12 |
| 58 | 2400/2900Hz @ 50Hz Sweeping (f=2400, f1=2900, a=0.02) | | 1 0 0 1 1 | 24 | 12 |
| 59 | 2500/3000Hz @ 2Hz Sweeping (f=2500, f1=3000, a=0.5) | | 0 1 0 1 1 | 24 | 12 |
| 60 | 2500/3000Hz @ 7.7Hz Sweeping (f=2500, f1=3000, a=0.13) | | 1 1 0 1 1 | 24 | 12 |
| 61 | 800Hz Motor Siren (f=800, a=1.6) | | 0 0 1 1 1 | 24 | 12 |
| 62 | 1200Hz Motor Siren (f=1200, a=2) | | 1 0 1 1 1 | 24 | 12 |
| 63 | 2400Hz Motor Siren (f=2400, a=1.7) | | 0 1 1 1 1 | 24 | 12 |
| 64 | Simulated Bell | | 1 1 1 1 1 | 21 | 12 |

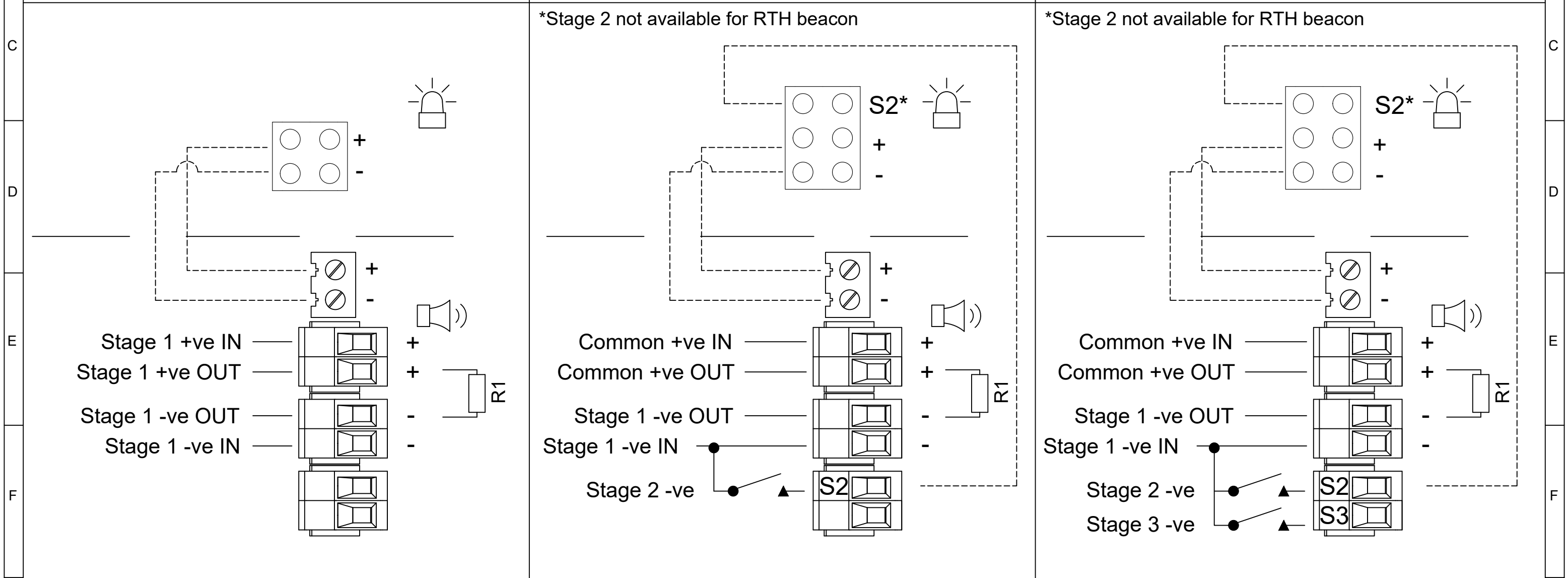
| | | | | | | | | | |
|---|---|---|---|---|---|---|-------|---------|-------------------------------|
| 1 | 2 | 3 | 4 | 5 | 6 | 7 | 8 | 9 | 10 |
| | | | | | | | ISSUE | MOD No. | REASON - INITIAL - DATE |
| | | | | | | | A | | INTRODUCTION JS - 11/06/21 |

----- WIRING LINKING BEACON & SOUNDER
FACTORY FITTED

OPTIONAL LINE MONITORING RESISTOR, CUSTOMER SUPPLIED,
RECOMMENDED MINIMUM VALUES:
14V MAX SYSTEM = 120Ω MIN, 2W MIN OR 1KΩ MIN, 0.5W MIN
28V MAX SYSTEM = 470Ω MIN, 2W MIN OR 2.4KΩ MIN, 0.5W MIN

DC configuration -Linked Sounder & Beacon Activation (Default)

| | | | | | |
|---|-------------|---|-------------|---|-------------|
| Single Stage Configuration | Config.: 1a | Two Stage Configuration | Config.: 1b | Three/Four Stage Configuration | Config.: 1c |
| Line Monitoring | | Common Positive | | Common Positive | |
| Stage 1: Apply Power to Stage 1 +ve & Stage 1 -ve | | Stage 1: Apply Power to Common +ve & Stage 1 -ve Stage 2: Apply Power to Common +ve & Stage 1 -ve & connect Stage 2 -ve to Stage 1 -ve | | Stage 1: Apply Power to Common +ve & Stage 1 -ve Stage 2: Apply Power to Common +ve & Stage 1 -ve & connect Stage 2 -ve to Stage 1 -ve Stage 3: Apply Power to Common +ve & Stage 1 -ve & connect Stage 3 -ve to Stage 1 -ve Stage 4: Apply Power to Common +ve & Stage 1 -ve & connect Stage 2 -ve & Stage 3 -ve to Stage 1 -ve | |



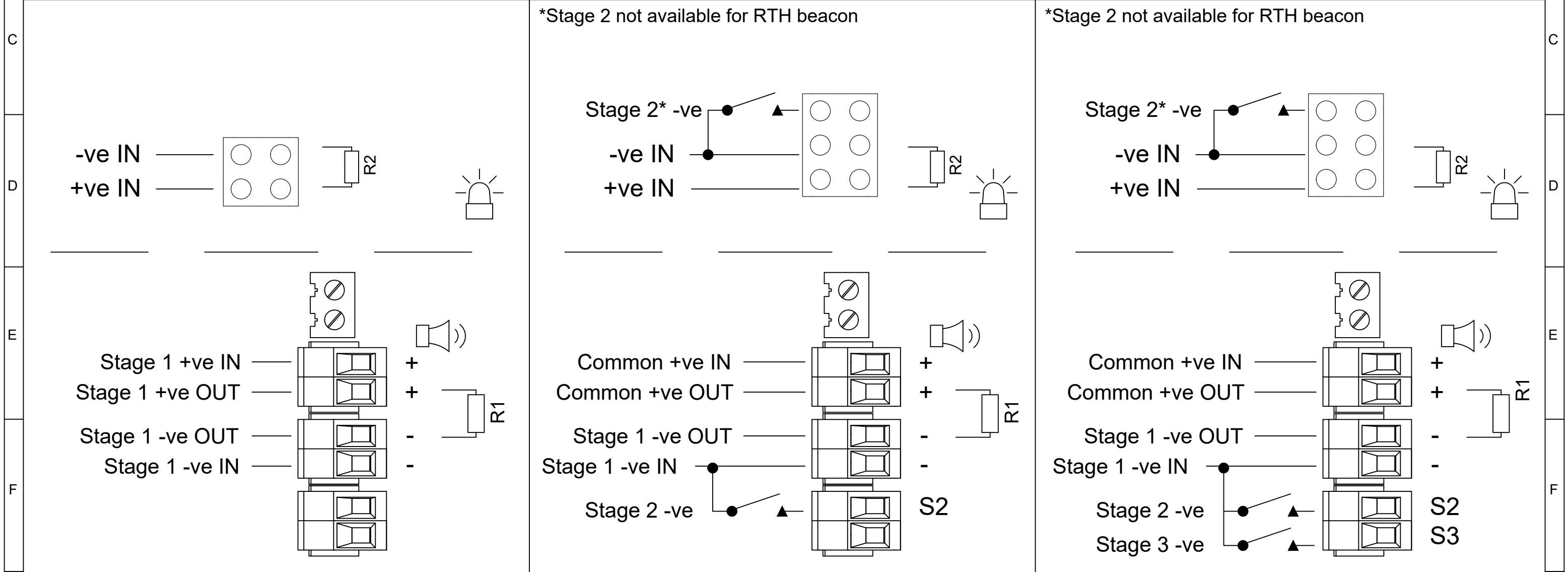
| | | | | | | | | | |
|---|--------------------------|-----------------------|--------------------|---|---|---|--|-----------------|-------------------------------|
| DRAWING TO BS8888:2000 GEOMETRIC TOLERANCES TO ISO1101:1983 LINEAR DIMENSIONAL TOLS ANGULAR DIMENSIONAL TOLS | DRAWN J.SPILLER | DATE 11/06/2021 | SURFACE FINISH | WEIGHT (Kg) | THIS DRAWING AND ANY INFORMATION OR DESCRIPTIVE MATTER THEREIN IS COMMUNICATED IN CONFIDENCE AND IS THE COPYRIGHT PROPERTY OF EUROPEAN SAFETY SYSTEMS LTD. NEITHER THE WHOLE OR ANY EXTRACT MAY BE DISCLOSED, LOANED, COPIED OR USED FOR MANUFACTURING OR TENDERING PURPOSES WITHOUT THEIR WRITTEN CONSENT. | EUROPEAN SAFETY SYSTEMS LTD IMPRESS HOUSE MANSELL ROAD ACTON LONDON W3 7QH WWW.E2S.COM | ALL DIMENSIONS IN MM IF IN DOUBT, ASK - DO NOT SCALE | | A3 |
| | CHECKED R.N.POTTS | DATE 11/06/2021 | MATERIAL | TITLE AB105 SPECTRAALARM COMBINED SOUNDER & BEACON WIRING SHCEMATIC | | | | | |
| | STANDARDS AB105 RANGE | APPROVED R.N.POTTS | DATE 11/06/2021 | ALTERNATIVE MATERIAL | | | SCALE NTS | SHEET 1 OF 4 | DRAWING NUMBER D118-06-001 |

| | | | | | | | | | |
|---|---|---|---|---|---|---|-------|---------|-------------------------------|
| 1 | 2 | 3 | 4 | 5 | 6 | 7 | 8 | 9 | 10 |
| | | | | | | | ISSUE | MOD No. | REASON - INITIAL - DATE |
| | | | | | | | A | | INTRODUCTION JS - 11/06/21 |

OPTIONAL LINE MONITORING RESISTOR, CUSTOMER SUPPLIED,
RECOMMENDED MINIMUM VALUES:
14V MAX SYSTEM = 120Ω MIN, 2W MIN OR 1KΩ MIN, 0.5W MIN
28V MAX SYSTEM = 470Ω MIN, 2W MIN OR 2.4KΩ MIN, 0.5W MIN

DC configuration -Independent Sounder & Beacon Activation (Remove Link Wires)

| | | | | | |
|---|-------------|---|-------------|---|-------------|
| Single Stage Configuration | Config.: 2a | Two Stage Configuration | Config.: 2b | Three/Four Stage Configuration | Config.: 2c |
| Line Monitoring | | Common Positive | | Common Positive | |
| Stage 1: Apply Power to Stage 1 -ve & Stage 1 +ve | | Stage 1: Apply Power to Common +ve & Stage 1 -ve Stage 2: Apply Power to Common +ve & Stage 1 -ve & connect Stage 2 -ve to Stage 1 -ve | | Stage 1: Apply Power to Common +ve & Stage 1 -ve Stage 2: Apply Power to Common +ve & Stage 1 -ve & connect Stage 2 -ve to Stage 1 -ve Stage 3: Apply Power to Common +ve & Stage 1 -ve & connect Stage 3 -ve to Stage 1 -ve Stage 4: Apply Power to Common +ve & Stage 1 -ve & connect Stage 2 -ve & Stage 3 -ve to Stage 1 -ve | |



| | | | | | | | | | | |
|---|---|--------------------|--------------------|----------------------|-------------|---|---|--|--|----------------|
| G | DRAWING TO BS8888:2000 GEOMETRIC TOLERANCES TO ISO1101:1983 LINEAR DIMENSIONAL TOLS ANGULAR DIMENSIONAL TOLS | DRAWN J.SPILLER | DATE 11/06/2021 | SURFACE FINISH | WEIGHT (Kg) | THIS DRAWING AND ANY INFORMATION OR DESCRIPTIVE MATTER THEREIN IS COMMUNICATED IN CONFIDENCE AND IS THE COPYRIGHT PROPERTY OF EUROPEAN SAFETY SYSTEMS LTD. NEITHER THE WHOLE OR ANY EXTRACT MAY BE DISCLOSED, LOANED, COPIED OR USED FOR MANUFACTURING OR TENDERING PURPOSES WITHOUT THEIR WRITTEN CONSENT. © EUROPEAN SAFETY SYSTEMS LTD. AS PER LATEST DATE OF ISSUE SHOWN ABOVE | EUROPEAN SAFETY SYSTEMS LTD IMPRESS HOUSE MANSELL ROAD ACTON LONDON W3 7QH WWW.E2S.COM | ALL DIMENSIONS IN MM IF IN DOUBT, ASK - DO NOT SCALE | | A3 |
| | STANDARDS | CHECKED | DATE 11/06/2021 | MATERIAL | | | | TITLE | AB105 SPECTRAALARM COMBINED SOUNDER & BEACON WIRING SHCEMATIC | |
| | | APPROVED | DATE 11/06/2021 | ALTERNATIVE MATERIAL | | | | SCALE | SHEET | DRAWING NUMBER |
| | | R.N.POTTS | 11/06/2021 | | | NTS | 2 OF 4 | D118-06-001 | | |

| | | | | | | | | | |
|---|---|---|---|---|---|---|-------|---------|-------------------------------|
| 1 | 2 | 3 | 4 | 5 | 6 | 7 | 8 | 9 | 10 |
| | | | | | | | ISSUE | MOD No. | REASON - INITIAL - DATE |
| | | | | | | | A | | INTRODUCTION JS - 11/06/21 |

----- WIRING LINKING BEACON & SOUNDER
FACTORY FITTED

SWITCHES FOR STAGE OPERATION
CUSTOMER SUPPLIED

AC configuration - Linked Sounder & Beacon Activation (Default)

Single Stage Configuration Config.: 3a

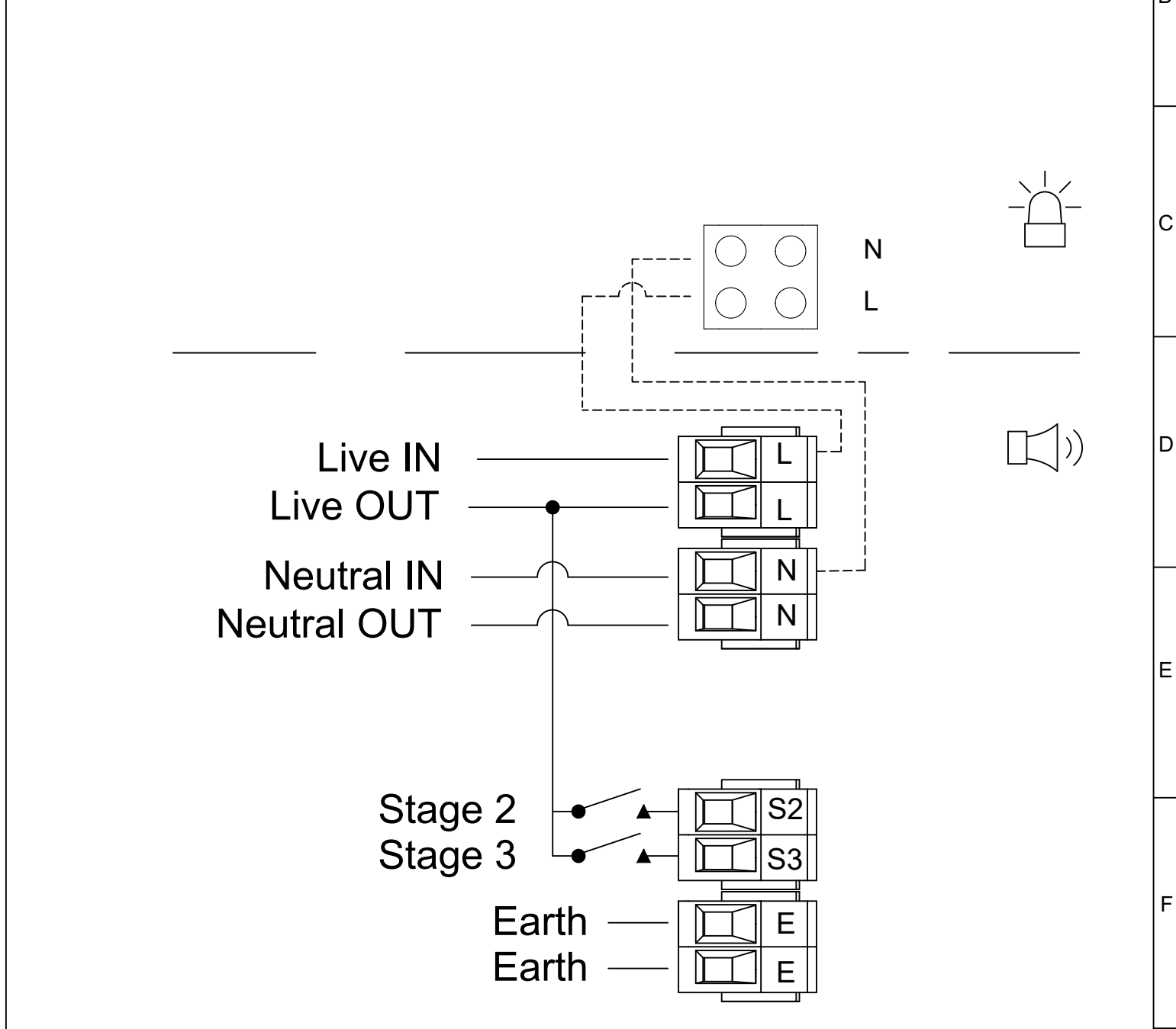
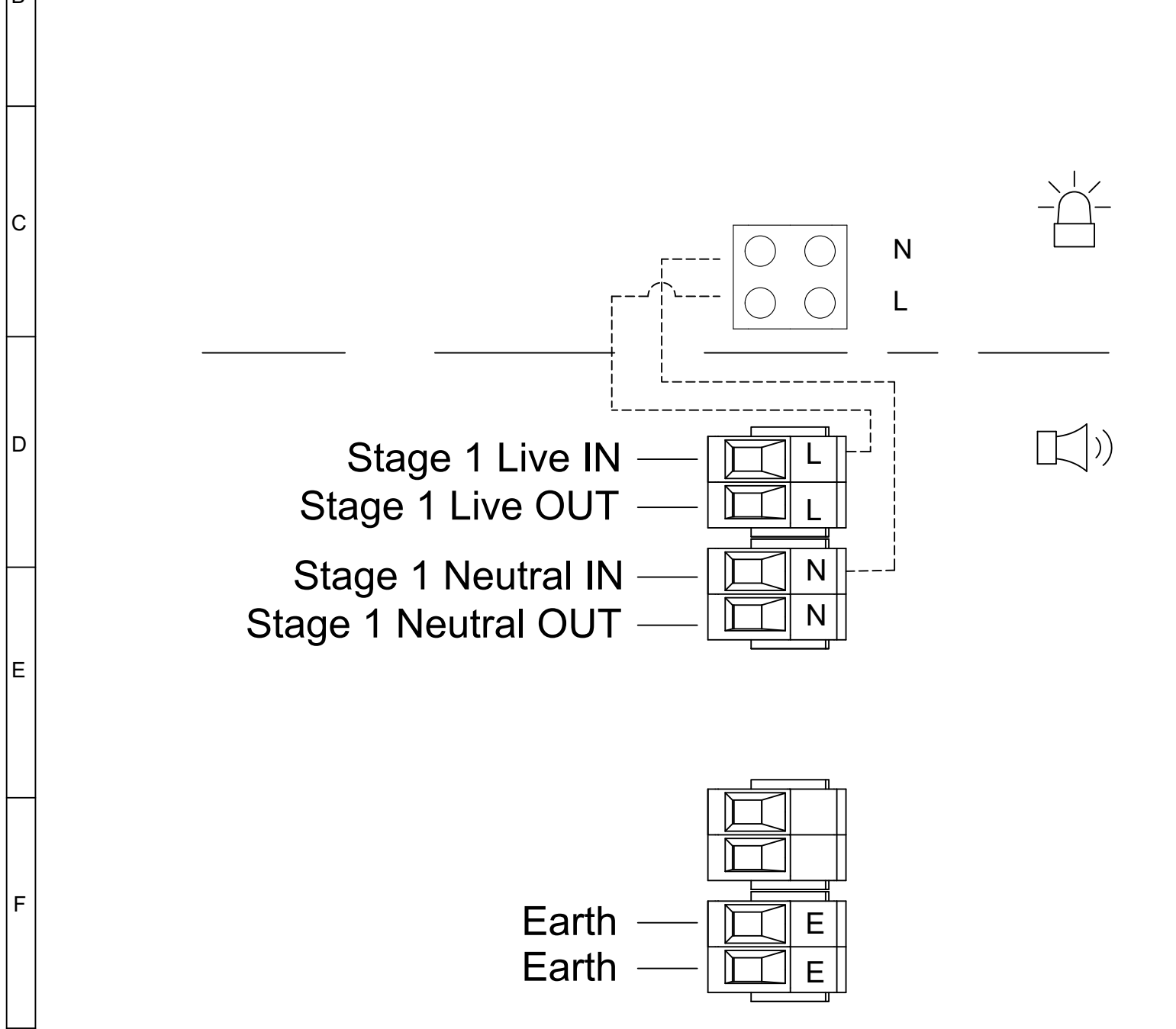
Three/Four Stage Configuration Config.: 3b

Stage 1: Apply Power to Stage 1 Live & Stage 1 Neutral

Stage 1: Apply Power to Live & Neutral

Stage 2: Apply Power to Live & Neutral & connect Stage 2 to Live

Stage 3: Apply Power to Live & Neutral & connect Stage 3 to Live



DRAWING TO BS8888:2000
GEOMETRIC TOLERANCES TO ISO1101:1983
LINEAR DIMENSIONAL TOLS
ANGULAR DIMENSIONAL TOLS

STANDARDS
AB105 RANGE

| | | | |
|-----------|------------|----------------------|-------------|
| DRAWN | DATE | SURFACE FINISH | WEIGHT (Kg) |
| J.SPILLER | 11/06/2021 | | |
| CHECKED | DATE | MATERIAL | |
| R.N.POTTS | 11/06/2021 | | |
| APPROVED | DATE | ALTERNATIVE MATERIAL | |
| R.N.POTTS | 11/06/2021 | | |

MATERIAL

ALTERNATIVE MATERIAL

THIS DRAWING AND ANY INFORMATION OR DESCRIPTIVE
MATTER THEREIN IS COMMUNICATED IN CONFIDENCE AND
IS THE COPYRIGHT PROPERTY OF EUROPEAN SAFETY
SYSTEMS LTD. NEITHER THE WHOLE OR ANY EXTRACT MAY
BE DISCLOSED, LOANED, COPIED OR USED FOR
MANUFACTURING OR TENDERING PURPOSES WITHOUT THEIR
WRITTEN CONSENT.

© EUROPEAN SAFETY SYSTEMS LTD.
AS PER LATEST DATE OF ISSUE SHOWN ABOVE

e2S
warning signals

EUROPEAN SAFETY SYSTEMS LTD
IMPRESS HOUSE
MANSELL ROAD
ACTON
LONDON W3 7QH
WWW.E2S.COM

ALL DIMENSIONS IN MM
IF IN DOUBT, ASK -
DO NOT SCALE

TITLE AB105 SPECTRAALARM COMBINED
SOUNDER & BEACON WIRING SHCEMATIC

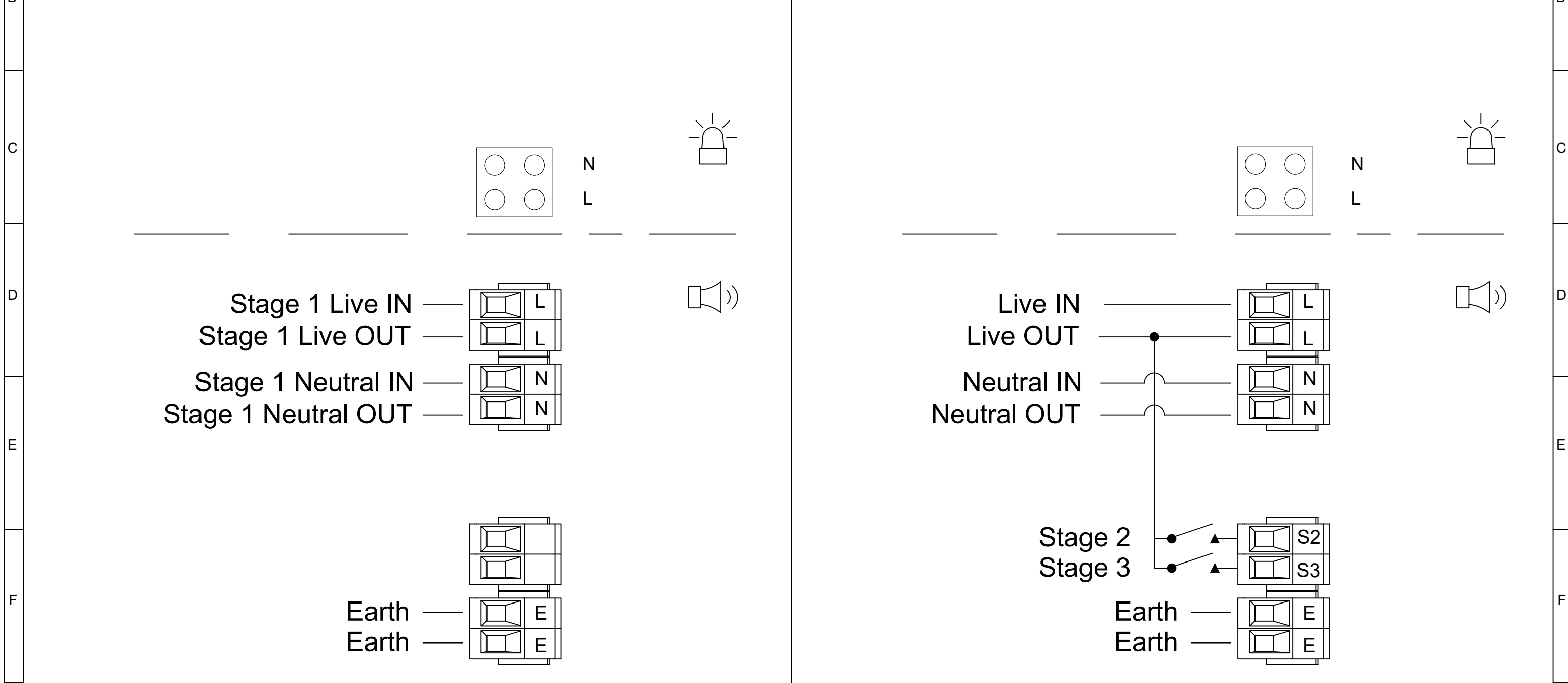
SCALE NTS SHEET 3 OF 4 DRAWING NUMBER D118-06-001

A3

SWITCHES FOR STAGE OPERATION
CUSTOMER SUPPLIED

AC configuration - Independent Sounder & Beacon Activation (Remove Link Wires)

| | |
|---|---|
| Single Stage Configuration | Config.: 4a |
| Stage 1: Apply Power to Stage 1 Live & Stage 1 Neutral | Three/Four Stage Configuration |
| | Config.: 4b |
| Stage 1: Apply Power to Live & Neutral | Stage 2: Apply Power to Live & Neutral & connect Stage 2 to Live |
| | Stage 3: Apply Power to Live & Neutral & connect Stage 3 to Live |



| | | | | | | | | | | | | |
|---|-----------|------------|----------------|-------------|---|--|--|--|---------------|--------------------|--|--|
| DRAWING TO BS8888:2000 GEOMETRIC TOLERANCES TO ISO1101:1983 LINEAR DIMENSIONAL TOLS ANGULAR DIMENSIONAL TOLS | DRAWN | DATE | SURFACE FINISH | WEIGHT (Kg) | THIS DRAWING AND ANY INFORMATION OR DESCRIPTIVE MATTER THEREIN IS COMMUNICATED IN CONFIDENCE AND IS THE COPYRIGHT PROPERTY OF EUROPEAN SAFETY SYSTEMS LTD. NEITHER THE WHOLE OR ANY EXTRACT MAY BE DISCLOSED, LOANED, COPIED OR USED FOR MANUFACTURING OR TENDERING PURPOSES WITHOUT THEIR WRITTEN CONSENT. | warning signals EUROPEAN SAFETY SYSTEMS LTD IMPRESS HOUSE MANSELL ROAD ACTON LONDON W3 7QH WWW.E2S.COM | ALL DIMENSIONS IN MM IF IN DOUBT, ASK - DO NOT SCALE | | | A3 | | |
| | J.SPILLER | 11/06/2021 | | | | | MATERIAL | TITLE AB105 SPECTRAALARM COMBINED SOUNDER & BEACON WIRING SHCEMATIC | | | | |
| | CHECKED | DATE | | | | | ALTERNATIVE MATERIAL | SCALE | SHEET | DRAWING NUMBER | | |
| | R.N.POTTS | 11/06/2021 | | | | | | NTS | 4 OF 4 | D118-06-001 | | |
| STANDARDS | APPROVED | DATE | | | | | | | | | | |
| AB105 RANGE | R.N.POTTS | 11/06/2021 | | | | | | | | | | |