

D1xS2F 123dB(A) Alarm Horn Sounder

The D1xS2F is a high performance globally certified alarm horn sounder featuring a sound output of up to 123dB(A). The robust Type 4/4X, IP66 marine grade, corrosion proof aluminium enclosure is approved for Class I & II Div 1, Zone 1 & 20, IECEx and ATEX Zone 1, 2, 21 & 22 explosion proof signalling applications.

Featuring 64 alarm tones, each of the 4 stage/channels can be remotely activated. Class D amplification provides a high sound output with a choice of two power modes. The threaded flameproof joint, multiple cable entries and duplicated, pluggable termination simplifies both installation and routine maintenance. The 24Vdc version is approved for public mode fire alarm use and the 100-240Vac version for general signalling use. SIL1 compliant to IEC 61508 (2010).

Features

- Maximum sound pressure level output of 123dB(A)
- Choice of 64 alarm tone frequencies
- 4 remotely selectable alarm stages/channels
- Positive or negative line stage/channel switching
- Automatic synchronisation on multi-sounder system
- Stainless Steel mounting bracket included as standard
- Triple cable entries
- Available with custom tone configurations and frequencies
- Robust marine grade aluminium enclosure
- UL464 Public mode fire alarm use
- CAN/ULC S525 Audible Signaling Devices for Fire Alarm

Approvals

- UL/cUL/ULC File ref: E230764
- IECEx Certificate: IECEx ULD 19.0008X
- ATEX Certificate: DEMKO 19 ATEX 2141X
- CSFM listing: 7136-2279:0506
- UKCA certificate: UL21UKEX2132X
- SIL1 compliant to IEC 61508 (2010)

Coding

- NEC / CEC Class / Zone
Class I Zone 1 IIC T4A Ta -55°C to +85°C
Class I Zone 1 IIC T5 Ta -55°C to +75°C (T6 +65°C)
 - NEC / CEC Class / Div
Class I Div 1 ABCD T4A Ta -55°C to +85°C
Class I Div 1 ABCD T5 Ta -55°C to +80°C (T6 +65°C)
 - IECEx / ATEX
II 2G Ex db IIC T5 Gb Ta -55°C to +75°C
II 2G Ex db IIC T6 Gb Ta -55°C to +60°C
II 2D Ex tb IIIC T93°C Db Ta -55°C to +75°C
 - Product version: D
 - NEC / CEC Class / Zone
Zone 20 IIIB Ta -55°C to +70°C
 - NEC / CEC Class / Div
Class II Div 1 FG T6 Ta -55°C to +70°C
Class III Div 1 Ta -55°C to +70°C
- See product manual for full voltage specific coding.



Specification

Maximum output: High power level: 123dB(A) @ 1 m +/- 3dB
[114dB(A) @ 10ft/3m +/- 3dB]
Default power level: 120dB(A) @ 1 m +/- 3dB
[111dB(A) @ 10ft/3m +/- 3dB]
Class II Product version: D -15dB(A)

Nominal output: High power level: 118dB(A) @ 1m +/- 3dB
[109dB(A) @ 10ft/3m] +/- 3dB
Default power level: 115dB(A) @ 1m +/- 3dB
[106dB(A) @ 10ft/3m] +/- 3dB
Class II Product version: D -15dB(A)

No. of tones: 64 (UK00A / PFEER compliant)

No. of stages: 4

Volume control: Full range

Effective range: 200m/656ft @ 1KHz

Voltages DC: 24Vdc (11.5-54Vdc)

Voltages AC: 230Vac (100-240Vac)

In-rush: 815mA within 4ms @ 24Vdc

Stage switching: DC units: positive or negative
AC units: common supply line

Ingress protection: EN60529: IP66
UL50E / NEMA250: 4 / 4X / 3R / 13

Enclosure material: Marine grade LM6 aluminium alloy

Enclosure colour: Red or Grey, custom colours available on request

Enclosure finish: Chromate & powder coated finish

Cable entries: 1x1/2"NPT & 2xM20
Thread adaptors available

Stopping plugs: Brass, Nickel Plated or Stainless Steel

Terminals: 0.5 - 2.5mm² (20-14 AWG)
Pluggable & duplicated terminals

Line monitoring: Diode polarized for use in supervised circuits
Blocking diode for reverse polarity monitoring

Ground/Earth stud: M5

Line monitoring: Blocking diode included
EOL Min. 500 Ohm 2W, or 3k3 Ohm 0.5W resistor
or diode (DC versions) can be fitted

Enclosure volume: <2 litres

Installation temp: -55 to +85°C [-67° to +185°F]

Storage temp: -55 to +85°C [-67° to +185°F]

Relative humidity: 99%

Vibration test: 35Hz for a duration 4Hr (UL464)

Jarring test: 3ft/lb Energy (UL464)

Impact test: 3x 5lb (UL464)

MTBF DC: 225.16 years / 1,972,386 hours - MIL 217

MTBF AC: 138.96 years / 1,217,285 hours - MIL 217

Weight: 4.00kg/8.80lbs

Part Codes

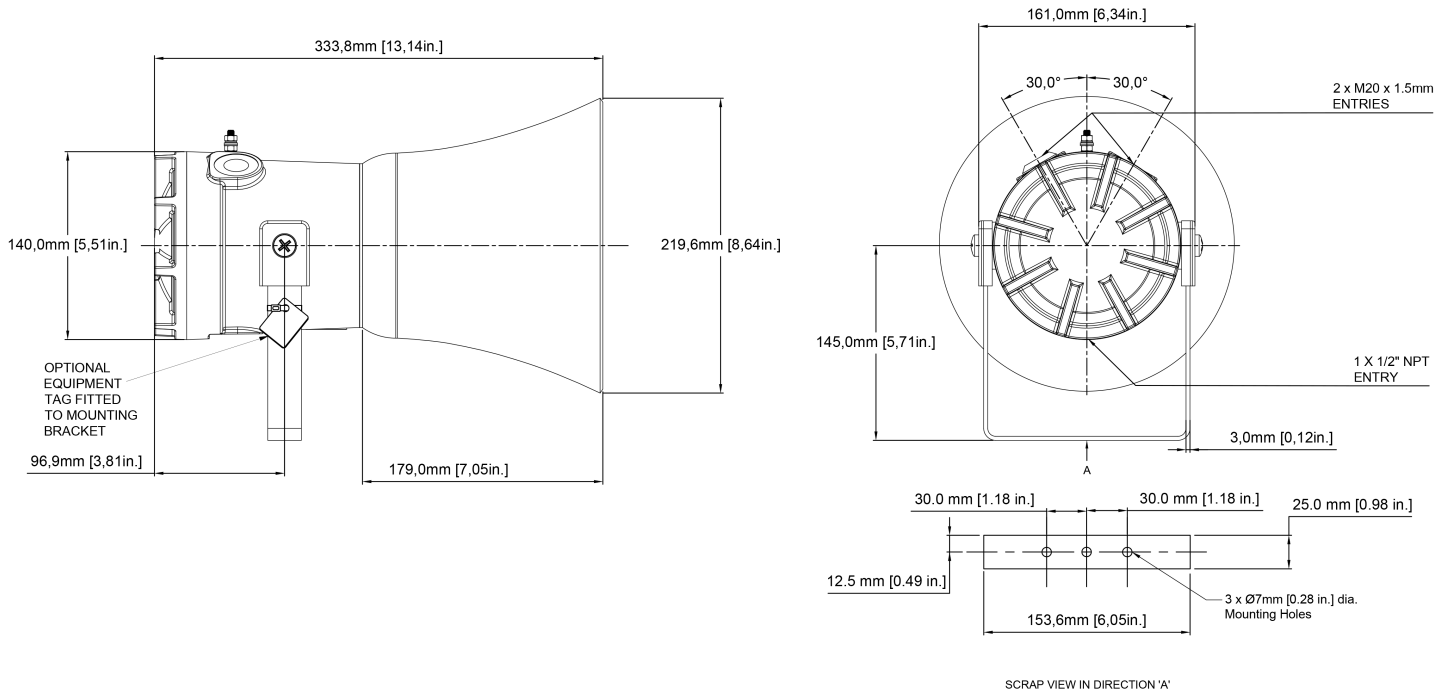
Part Code:	Identifier:	Description:
Product type:	D1xS2	D1xS2 alarm horn sounder
Horn type:	F	Flare re-entrant horn
Voltage:	DC024 AC230	11.5-54Vdc 100-240Vac
Cable entries:[e]	A B C D F G Note:	2 x M20x1.5mm & 1 x 1/2"NPT 2 x 1/2"NPT - adaptors 2 x 3/4"NPT - adaptors 2 x M25x1.5mm - adaptors 1 x 3/4"NPT - adaptor 1 x M25x1.5mm - adaptor All entries, excluding thread adaptors, supplied with stopping plugs installed.
Stopping plug/ adaptor material: [m]	B N S	Brass Nickel plated brass Stainless steel
Bracket material: [s]	1 3 5	A4 316 Stainless Steel A4 316 St/St with Equip. Tag A4 316 St/St with Equip. Tag and Duty Label
Product version: [v]	A D	UL, cUL, ULC, IECEx, ATEX, CSFM Class II - UL, cUL
Product option: [o]	1 Z X Y K V	Standard product Custom alarm tone software - contact E2S Custom configuration - contact E2S Stage control Config. 4 Stage control Config. 5 (DC) and Config. 2 (AC) Stage control Config. 6
Enclosure colour: [x]	R G S	Red Grey Special colour - contact E2S

Accessories:

SP65-0001-A4 Pole Mount Bracket Kit 2" St/St A4 (316)
SP65-0003-A4 Sunshade - St/St A4 (316)

Current Consumption

Nominal Voltage:	Voltage range:	Default Power current:	Default Power Max. current:	High power current:	High Power Max. current:	In-rush:
12Vdc	11.5-54Vdc	289mA	324mA	356mA	740mA	-
24Vdc	11.5-54Vdc	324mA	324mA	740mA	740mA	815mA < 4ms
48Vdc	11.5-54Vdc	195mA	324mA	391mA	740mA	-
115Vac 50/60Hz	100-240V ac	125mA	138mA	282mA	325mA	-
230Vac 50/60Hz	100-240V ac	78mA	138mA	167mA	325mA	-



Assemblies

The D1xS2F is available as a plated assembly configured with Xenon strobe or LED beacons with or without a D1xJ2 Ex d junction box. Contact E2S for further information.

Tone table

S 1	Description	S 2	S 3	S 4
T 1	1000 Continuous - PFEER Toxic Gas	Any	T 2	T 44
T 2	1200/500 @ 1Hz Sweeping - DIN / PFEER P.T.A.P.	Any	T 3	T 44
T 3	1000 @ 0.5Hz (1s on, 1s off) Intermittent - P...	Any	T 2	T 44
T 4	1.4KH-1.6KHz 1s, 1.6KHz-1.4KHz 0.5s - NF C 48...	Any	T 24	T 1
T 5	544(100mS)/440 (400mS) - NF S 32-001	Any	T 19	T 1
T 6	1500/500 - (0.5s on , 0.5s off) x3 + 1s gap - ...	Any	T 44	T 1
T 7	500-1500Hz Sweeping 2 sec on 1 sec off - AS4428	Any	T 44	T 1
T 8	500/1200Hz @ 0.26Hz(3.3s on, 0.5s off) - NEN ...	Any	T 24	T 35
T 9	1000 (1s on, 1s off)x7 + (7s on, 1s off) - IM...	Any	T 34	T 1
T 10	1000 (1s on, 1s off)x7 + (7s on, 1s off) - IM...	Any	T 34	T 1
T 11	420(0.5s on, 0.5s off)x3 + 1s gap - ISO 8201 ...	Any	T 1	T 8
T 12	1000(0.5s on, 0.5s off)x3 + 1s gap - ISO 8201...	Any	T 1	T 8
T 13	422/775 - (0.85 on, 0.5 off) x3 + 1s gap - ...	Any	T 1	T 8
T 14	1000/2000 @ 1Hz - Singapore	Any	T 3	T 35
T 15	300 Continuous	Any	T 24	T 35
T 16	440 Continuous	Any	T 24	T 35
T 17	470 Continuous	Any	T 24	T 35
T 18	500 Continuous - IMO code 2 (Low)	Any	T 24	T 35
T 19	554 Continuous	Any	T 24	T 35
T 20	660 Continuous	Any	T 24	T 35
T 21	800 Continuous - IMO code 2 (High)	Any	T 24	T 35
T 22	1200 Continuous	Any	T 24	T 35
T 23	2000 Continuous	Any	T 3	T 35
T 24	2400 Continuous	Any	T 20	T 35
T 25	440 @ 0.83Hz (0.60s on, 0.60s off) Intermittent	Any	T 44	T 8
T 26	470 @ 0.9Hz (0.55s on, 0.55s off) Intermittent	Any	T 44	T 8
T 27	470 @ 5Hz (0.10s on, 0.10s off) Intermittent	Any	T 44	T 8
T 28	544 @ 1.14Hz (0.43s on, 0.44s off) Intermittent	Any	T 24	T 8
T 29	655 @ 0.875Hz (0.57s on, 0.57s off) Intermittent	Any	T 44	T 8
T 30	660 @ 0.28Hz (1.80s on, 1.80s off) Intermittent	Any	T 24	T 8
T 31	660 @ 3.3Hz (0.15s on, 0.15s off) Intermittent	Any	T 24	T 8
T 32	745 @ 1Hz (0.50s on, 0.50s off) Intermittent	Any	T 24	T 8

S 1	Description	S 2	S 3	S 4
T 33	800 (0.25s on, 1.00s off) Intermittent	Any	T 24	T 8
T 34	800 @ 2Hz (0.25s on, 0.25s off) - IMO code 3...	Any	T 24	T 8
T 35	1000 @ 1Hz (0.50s on, 0.50s off) Intermittent	Any	T 24	T 8
T 36	2400 @ 1Hz (0.50s on, 0.50s off) Intermittent	Any	T 24	T 8
T 37	2900 @ 5Hz (0.10s on, 0.10s off) Intermittent	Any	T 24	T 8
T 38	363/518 @ 1Hz (0.50s / 0.50s) Alternating	Any	T 8	T 19
T 39	450/500 @ 2Hz (0.25s / 0.25s) Alternating	Any	T 8	T 19
T 40	554/440 @ 1Hz (0.50s / 0.50s) Alternating	Any	T 24	T 19
T 41	554/440 @ 0.65Hz (0.76s / 0.76s) Alternating	Any	T 8	T 19
T 42	561/760 @ 0.83Hz (0.60s / 0.60s) Alternating	Any	T 8	T 19
T 43	780/600 @ 0.96Hz (0.52s / 0.52s) Alternating	Any	T 8	T 19
T 44	800/1000 @ 2Hz (0.25s / 0.25s) Alternating	Any	T 24	T 19
T 45	970/800 @ 2Hz (0.25s / 0.25s) Alternating	Any	T 8	T 19
T 46	800/1000 @ 0.875Hz (0.57s / 0.57s) Alternating	Any	T 24	T 19
T 47	2400/2900 @ 2Hz (0.25s / 0.25s) Alternating	Any	T 24	T 19
T 48	500/1200 @ 0.3Hz (1.67s / 1.67s) Sweeping	Any	T 24	T 12
T 49	560/1055 @ 0.18Hz (2.73s / 2.73s) Sweeping	Any	T 24	T 12
T 50	560/1055 @ 3.3Hz (0.15s / 0.15s) Sweeping	Any	T 24	T 12
T 51	600/1250 @ 0.125Hz (4s / 4s) Sweeping	Any	T 24	T 12
T 52	660/1200 @ 1Hz (0.50s / 0.50s) Sweeping	Any	T 24	T 12
T 53	800/1000 @ 1Hz (0.50s / 0.50s) Sweeping	Any	T 24	T 12
T 54	800/1000 @ 7Hz (0.07s / 0.07s) Sweeping	Any	T 24	T 12
T 55	800/1000 @ 50Hz (0.01s / 0.01s) Sweeping	Any	T 24	T 12
T 56	2400/2900 @ 7Hz (0.07s / 0.07s) Sweeping	Any	T 24	T 12
T 57	2400/2900 @ 1Hz (0.50s / 0.50s) Sweeping	Any	T 24	T 12
T 58	2400/2900 @ 50Hz (0.01s / 0.01s) Sweeping	Any	T 24	T 12
T 59	2500/3000 @ 2Hz (0.25s / 0.25s) Sweeping	Any	T 24	T 12
T 60	2500/3000 @ 7.7Hz (0.65s / 0.65s) Sweeping	Any	T 24	T 12
T 61	800Hz Motor Siren	Any	T 24	T 12
T 62	1200Hz Motor Siren	Any	T 24	T 12
T 63	2400Hz Motor Siren	Any	T 24	T 12
T 64	Simulated Bell	Any	T 21	T 12