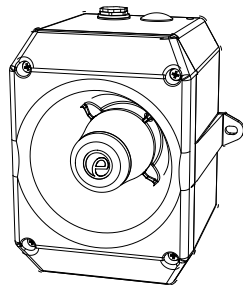


INSTRUCTION & SERVICE MANUAL

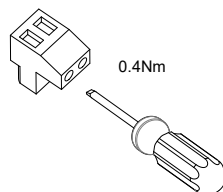
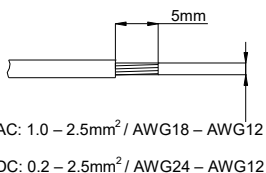
D105 AlertAlarm Sounder

- -40°C to +66°C (-40°F to 151°F)
- Type 4 / 4X / 3R / 13, IP66
- 1.6Kg (3.52lb)
- CE, UKCA
- All units UL Listed



Unit Type Code	Nominal Voltage	Voltage Range	Nominal Current*	Nominal SPL	Max SPL	Average SPL
D105DC024	12 V dc	10-60Vdc	17mA	105.3dB(A) Tone 44 @ 1m	110.9dB(A) Tone 4 @ 1m	105.2dB(A) All tones @1m
	24V dc		33.5mA			
	48V dc		113mA			
D105AC230	48V ac	24 - 260Vac / 60-260Vdc	42mA	105.3dB(A) Tone 44 @ 1m	110.9dB(A) Tone 4 @ 1m	105.2dB(A) All tones @1m
	115V ac		25mA			
	230V ac		17mA			

*Nominal current at nominal voltage, Tone 1



Attention: Installation must be carried out by an electrician in compliance with the latest codes and regulations.

Attention: L'installation doit être effectuée par un électricien conformément aux derniers codes et réglementations.

Achtung: Die Installation muss von einem Elektriker gemäß den neuesten Vorschriften und Bestimmungen durchgeführt werden.

Attenzione: L'installazione deve essere eseguita da un elettricista in conformità con i codici e le normative più recenti.

Atención: La instalación debe ser realizada por un electricista de acuerdo con los últimos códigos y regulaciones.

Atenção: A instalação deve ser realizada por um electricista de acordo com os códigos e regulamentos mais recentes.

ВНИМАНИЕ: установка должна выполняться электриком в соответствии с последними нормами и правилами.

Attention: Disconnect from power source before installation or service to prevent electric shock

Attention: Débranchez-le de la source d'alimentation avant l'installation ou l'entretien pour éviter tout choc électrique.

Achtung: Vor Installation oder Wartung von der Stromquelle trennen, um einen Stromschlag zu vermeiden.

Attenzione: scollegare dall'alimentazione prima dell'installazione o dell'assistenza per evitare scosse elettriche.

Atención: desconéctelo de la fuente de alimentación antes de la instalación o el servicio para evitar descargas eléctricas.

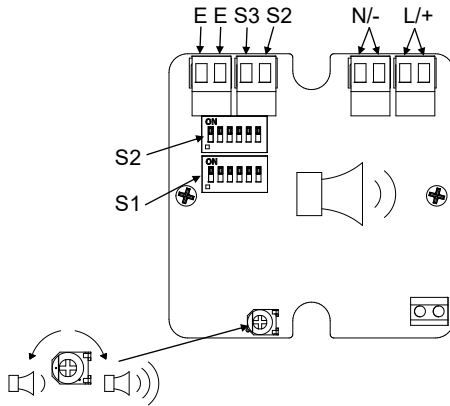
Atenção: Desconecte da fonte de alimentação antes da instalação ou serviço para evitar choque elétrico

ВНИМАНИЕ: отключите от источника питания перед установкой или обслуживанием, чтобы предотвратить поражение электрическим током.



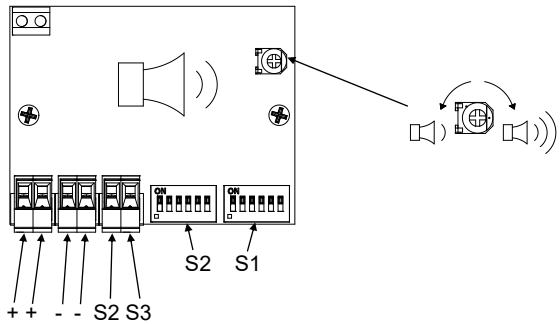
AC

(See D218-06-005)



DC

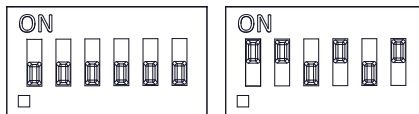
(See D218-06-001)



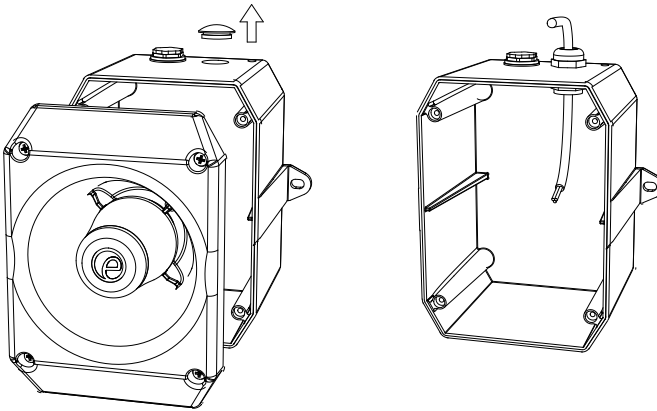
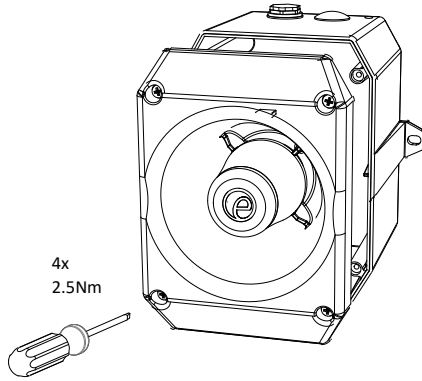
(AC & DC, See D221-95-001)

Default = S2 - Tone 1

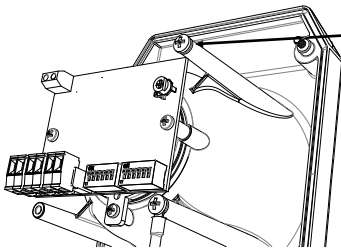
Default = S1 - Tone 44



(ON = 1, OFF = 0)



For D105AC units wire an Earth to the E terminal on the PCBA in order to Earth the metal housing.



For D105DC units, using a ring terminal, fit an Earth to the shown location underneath the M4 screw and M4 spring washer. This point shall not be used for any other purpose (e.g. ground bonding).

- All models are approved for use as Audible Signal Appliance for use as General Signaling: UL464A & CSA C22.2 No 205-17
- Type 4 / 4X / 3R / 13, IP66

- -40°C to +66°C / -40°C to +151°F

General Signaling Canada:

D105DC024: -40°C to +55°C / -40°F to +131°F

D105AC230: -40°C to +40°C / -40°F to +104°F

- To maintain Ingress Protection, cable entries must be fitted with suitably rated cable glands or stopping plugs
- EOL Monitoring (DC Only): End of Line Devices may be fitted between the +ve & -ve terminals of the PCBA. Please ensure that the device legs meet the wire size range stated for the connection terminals and are fitted correctly in order to avoid a short. Refer to the compatible control panel specification for EOL device values and ratings.



Model	Nominal Voltage	Voltage Range	Nominal Operating Current [#]	Max Operating RMS*
D105DC024	12V dc	10 - 60V ac	17mA	125mA
	24V dc		33.5mA	
	48V dc		113mA	
D105DAC230	48V ac	24 - 260V ac 50/60Hz / 60-260V dc	42mA	42.5mA
	115V ac		25mA	
	230V ac		17mA	

*Max Operating current for worst-case input voltage; [#]Nominal current at nominal voltage and Tone 12

FIRE INSTRUCTION & SERVICE MANUAL
D105 Range AlertAlarm Sounder UL464 / CAN/ULC-S525
Model: D105DC



Attention: Installation must be carried out by an electrician in compliance with the National Electrical Code, NFPA 70, and the National Fire Alarm Signaling Code, NFPA 72 or CSA 22.1 Canadian Electrical Code, Part I, Safety Standard for Electrical Installations, Section 32. / L'installation doit exclusivement être réalisée par du personnel qualifié, conformément au code national d'électricité américain, NFPA 70, et le code national d'alarme incendie et de signalisation NFPA 72 ou CSA 22.1 Code canadien de l'électricité, première partie, norme de sécurité relative aux installations électriques, Section 32



Attention: Disconnect from power source before installation or service to prevent electric shock / Débranchez-le de la source d'alimentation avant l'installation ou l'entretien pour éviter tout choc électrique.



Attention: Do not paint / Ne pas Peinturer

- -40°C to +66°C / -40°F to +151°F
- Units can be mounted using the 2-off 10 x 7mm obround holes in the mounting lugs.
- D105DC024 is approved for use as an audible signal appliance for fire alarm use – Public Mode (UL464 & CAN/ULC-S525) and produces a minimum sound pressure level of US: 78.96dB(A); CA: 88.8dB(A) at 10 feet, (figures @ worst case 10Vdc).
- @24Vdc the D105DC024 produces a minimum sound pressure level of US: 87.39dB(A) ; CA: 97.1dB(A) at 10 feet
- For Fire Alarm applications, the Sounder Volume must be at the highest setting, (see volume control section). For fire alarm use, Tone 12 as shown below must be selected:

Stage 1 Set DIP SW 1 Tone No.	Tone Description	Tone Visual	Stage 1 & 2 DIP SW 1/2 Settings 1 2 3 4 5 6	Stage 3 Set DIP SW 1 (S3)	Stage 4 Set DIP SW 1 (S2 + S3)
12	1000Hz(0.5s on, 0.5s off)x3 + 1s gap ISO 8201 Temporal Pattern		1 1 0 1 0 0	1	8

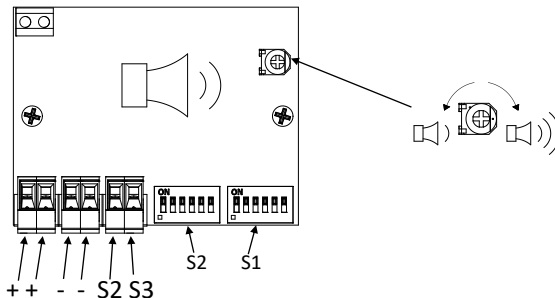
- Connection Terminals: Pluggable
 AC: 1.0 - 2.5mm² / AWG18 - AWG12
 DC: 0.2 - 2.5mm² / AWG24 - AWG12
- Terminal Tightening torque 0.4Nm
- To maintain Ingress Protection, cable entries must be fitted with suitably rated cable glands or stopping plugs
- Units can be located indoor or outdoor wet use, wall or ceiling mounted and there are no limitations on orientation
- Factory finishes are not intended to be modified

Surge Current Ratings for use in fire alarm systems

Model	Nominal Voltage	Voltage Range	Initial Peak	Initial RMS
D105DC024	24V dc	10 - 60V dc	298mA	56.4mA

D105DC024 Sounder Directional Characteristics for Canadian Fire CAN/ULC-S525 at 10 feet

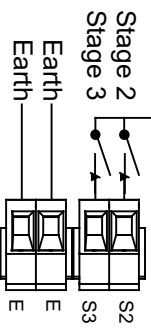
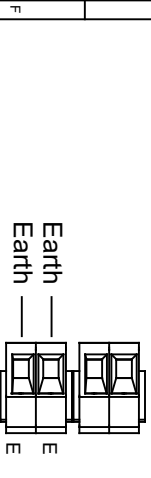
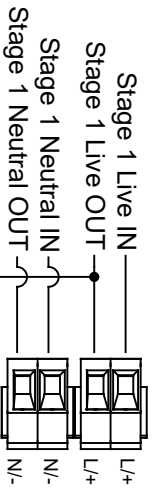
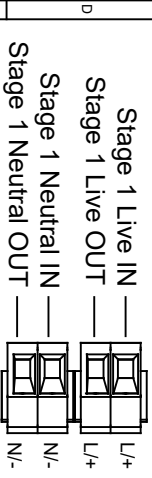
Horizontal Axis				Vertical Axis			
Angle	OSPL	Angle	OSPL	Angle	OSPL	Angle	OSPL
Ref. 90°	98.2 dB(A)	Ref. 90°	98.2 dB(A)	Ref. 90°	98.3 dB(A)	Ref. 90°	98.3 dB(A)
112°	-3 dB(A)	65.5°	-3 dB(A)	113°	-3 dB(A)	66°	-3 dB(A)
149°	-6 dB(A)	30°	-6 dB(A)	148°	-6 dB(A)	30°	-6 dB(A)
180°	84.3dB(A)	0°	83.6 dB(A)	180°	84.2 dB(A)	0°	84.2 dB(A)





Single Stage Configuration	Config.: 1a	Three/Four Stage Configuration	Config.: 1b
----------------------------	-------------	--------------------------------	-------------

Stage 1: Apply Power to Stage 1 Live & Stage 1 Neutral	Stage 1: Apply Power to Stage 1 Live & Stage 1 Neutral Stage 2: Apply Power to Stage 1 Live & Stage 1 Neutral & connect Stage 2 to Live Stage 3: Apply Power to Stage 1 Live & Stage 1 Neutral & connect Stage 3 to Live Stage 4: Apply Power to Stage 1 Live & Stage 1 Neutral & connect both Stage 2 & Stage 3 to Live
--	---



DRAWING TO BS8886:2000 GEOMETRIC TOLERANCES TO ISO1101:1983 AND BS8886:2000 ANGULAR DIMENSIONAL TOLS

DRAWING TO BS8886:2000 GEOMETRIC TOLERANCES TO ISO1101:1983 AND BS8886:2000 ANGULAR DIMENSIONAL TOLS	DRAWN	DATE	SURFACE FINISH	WEIGHT (KG)	THIS DRAWING AND ANY INFORMATION OR DESCRIPTIVE MATTER THEREIN IS UNMAYBE REPRODUCED IN ANY MANNER WITHOUT THE WRITTEN PERMISSION OF THE MANUFACTURER OR THE DESIGNER. ANY REPRODUCTION OR TRANSMISSION FOR ANY PURPOSES WITHOUT THEIR WRITTEN CONSENT IS STRICTLY PROHIBITED. RSP ELECTRICAL LTD AS PER LATEST DATE OF ISSUE SHOWN ABOVE	 E2S wiring systems EUROPEAN SAFETY SYSTEMS LTD MANSELL ROAD LONDON W10 7QH WWW.E2S.COM	ALL DIMENSIONS IN MM IF IN DOUBT, ASK - DO NOT SCALE	 A3
	CHECKED	DATE	MATERIAL				TITLE A100, A105N & D105 AC WIRING DIAGRAMS	
STANDARDS	APPROVED	DATE	ALTERNATIVE MATERIAL		SCALE	SHEET	DRAWING NUMBER	
ALERT/ALARM RANGE	R. S. POTT	16/03/2021			NTS	1 OF 1	D218-06-005	

Stage 1 Set DIP SW 1 Tone No.	Tone Description	Tone Visual	Stage 1 & 2 DIP SW 1/2 Settings 1 2 3 4 5 6	Stage 3 Set DIP SW 1 (S3)	Stage 4 Set DIP SW 1 (S2 + S3)
1	1000Hz PFEER Toxic Gas		0 0 0 0 0 0	2	44
2	1200/500Hz @ 1Hz DIN /PFEER P.T.A.P.		1 0 0 0 0 0	3	44
3	1000Hz @ 0.5Hz(1s on, 1s off) PFEER Gen. Alarm		0 1 0 0 0 0	2	44
4	1.4KHz-1.6KHz 1s, 1.6KHz-1.4KHz 0.5s NF C 48-265		1 1 0 0 0 0	24	1
5	544Hz(100mS)/440Hz (400mS) NF S 32-001		0 0 1 0 0 0	19	1
6	1500/500Hz - (0.5s on, 0.5s off) x3 + 1s gap AS4428		1 0 1 0 0 0	44	1
7	500-1500Hz Sweeping 2 sec on 1 sec off AS4428		0 1 1 0 0 0	44	1
8	500/1200Hz @ 0.26Hz (3.3son, 0.5s off) Netherlands - NEN 2575		1 1 1 0 0 0	24	35
9	1000Hz (1s on, 1s off)x7 + (7s on, 1s off) IMO Code 1a		0 0 0 1 0 0	34	1
10	1000Hz (1s on, 1s off)x7 + (7s on, 1s off) IMO Code 1a		1 0 0 1 0 0	34	1
11	420Hz(0.5s on, 0.5s off)x3 + 1s gap ISO 8201 Temporal Pattern		0 1 0 1 0 0	1	8
12	1000Hz(0.5s on, 0.5s off)x3 + 1s gap ISO 8201 Temporal Pattern		1 1 0 1 0 0	1	8
13	422/775Hz - (0.85 on, 0.5 off) x3 + 1s gap NFPA - Temporal Coded		0 0 1 1 0 0	1	8
14	1000/2000Hz @ 1Hz Singapore		1 0 1 1 0 0	3	35
15	300Hz Continuous (f=300)		0 1 1 1 0 0	24	1
16	440Hz Continuous (f=440)		1 1 1 1 0 0	24	1
17	470Hz Continuous (f=470)		0 0 0 0 1 0	24	8
18	500Hz Continuous IMO code 2 (Low) (f=500)		1 0 0 0 1 0	24	8
19	554Hz Continuous (f=554)		0 1 0 0 1 0	24	8
20	660Hz Continuous (f=660)		1 1 0 0 1 0	24	35
21	800Hz IMO code 2 (High) (f=800)		0 1 0 1 0 0	24	35
22	1200Hz Continuous (f=1200)		1 0 1 0 1 0	24	35
23	2000Hz Continuous (f=2000)		0 1 1 0 1 0	3	35
24	2400Hz Continuous (f=2400)		1 1 1 0 1 0	20	35
25	440Hz @0.83Hz (50 cycles/minute) Intermittent (f=440, a=0.6, b=0.6)		0 0 0 1 1 0	44	8
26	470Hz @0.9Hz - 1.1s Intermittent (f=470, a=0.55, b=0.55)		1 0 0 1 1 0	44	8
27	470Hz @5Hz - (5 cycles/second) Intermittent (f=470, a=0.1, b=0.1)		0 1 0 1 1 0	44	8
28	544Hz @ 1.14Hz - 0.875s Intermittent (f=470, a=0.43, b=0.44)		1 1 0 1 1 0	24	8
29	655Hz @ 0.875Hz Intermittent (f=655, a=0.57, b=0.57)		0 0 1 1 1 0	24	8
30	660Hz @0.28Hz - 1.8sec on, 1.8sec off Intermittent (f=660, a=1.8, b=1.8)		1 0 1 1 1 0	24	8
31	660Hz @3.34Hz - 150mS on, 150mS off Intermittent (f=660, a=0.15, b=0.15)		0 1 1 1 1 0	24	8
32	745Hz @ 1Hz Intermittent (f=745, a=0.5, b=0.5)		1 1 1 1 1 0	24	8
33	800Hz - 0.25sec on, 1 sec off Intermittent (f=800, a=0.25, b=1)		0 0 0 0 0 1	24	8
34	800Hz @ 2Hz IMO code 3.a (High) Intermittent (f=800, a=0.25, b=0.25)		1 0 0 0 0 1	24	19
35	1000Hz @ 1Hz Intermittent (f=1000, a=0.5, b=0.5)		0 1 0 0 0 1	24	19
36	2400Hz @ 1Hz Intermittent (f=2400, a=0.5, b=0.5)		1 1 0 0 0 1	24	19
37	2900Hz @ 5Hz Intermittent (f=2900, a=0.1, b=0.1)		0 0 1 0 0 1	24	19
38	363/518Hz @ 1Hz Alternating (f=363, f1=518, a=0.1)		1 0 1 0 0 1	8	19
39	450/500Hz @ 2Hz Alternating (f=450, f1=500, a=0.25)		0 1 1 0 0 1	8	19
40	554/440Hz @ 1Hz Alternating (f=440, f1=554, a=0.5)		1 1 1 0 0 1	24	19
41	554/440Hz @ 0.625Hz Alternating (f=440, f1=554, a=0.8)		0 0 0 1 0 1	8	19
42	561/760Hz @0.83Hz (50 cycles/minute) Alternating (f=561, f1=760, a=0.6)		1 0 0 1 0 1	8	19
43	780/600Hz @ 0.96Hz Alternating (f=600, f1=780, a=0.52)		0 1 0 1 0 1	8	19
44	800/1000Hz @ 2Hz Alternating (f=800, f1=1000, a=0.25)		1 1 0 1 0 1	24	19
45	970/800Hz @ 2Hz Alternating (f=800, f1=970, a=0.25)		0 0 1 1 0 1	8	19
46	800/1000Hz @ 0.875Hz Alternating (f=800, f1=1000, a=0.57)		1 0 1 1 0 1	24	19
47	2400/2900Hz @ 2Hz Alternating (f=2400, f1=2900, a=0.25)		0 1 1 1 0 1	24	19
48	500/1200Hz @ 0.3Hz Sweeping (f=500, f1=1200, a=3.34)		1 1 1 1 0 1	24	12
49	560/1055Hz @ 0.18Hz Sweeping (f=560, f1=1055, a=5.47)		0 0 0 0 1 1	24	12
50	560/1055Hz @ 3.3Hz Sweeping (f=560, f1=1055, a=0.3)		1 0 0 0 1 1	24	12
51	600/1250Hz @ 0.125Hz Sweeping (f=600, f1=1250, a=8)		0 1 0 0 1 1	24	12
52	660/1200Hz @ 1Hz Sweeping (f=660, f1=1200, a=1)		1 1 0 0 1 1	24	12
53	800/1000Hz @ 1Hz Sweeping (f=800, f1=1000, a=1)		0 1 0 0 1 1	24	12
54	800/1000Hz @ 7Hz Sweeping (f=800, f1=1000, a=0.14)		1 0 1 0 1 1	24	12
55	800/1000Hz @ 50Hz Sweeping (f=800, f1=1000, a=0.02)		0 1 0 1 0 1	24	12
56	2400/2900Hz @ 7Hz Sweeping (f=2400, f1=2900, a=0.14)		1 1 1 0 1 1	24	12
57	2400/2900Hz @ 1Hz Sweeping (f=2400, f1=2900, a=1)		0 0 0 1 1 1	24	12
58	2400/2900Hz @ 50Hz Sweeping (f=2400, f1=2900, a=0.02)		1 0 0 1 1 1	24	12
59	2500/3000Hz @ 2Hz Sweeping (f=2500, f1=3000, a=0.5)		0 1 0 1 1 1	24	12
60	2500/3000Hz @ 7.7Hz Sweeping (f=2500, f1=3000, a=0.13)		1 1 0 1 1 1	24	12
61	800Hz Motor Siren (f=800, a=1.6)		0 0 1 1 1 1	24	12
62	1200Hz Motor Siren (f=1200, a=2)		1 0 1 1 1 1	24	12
63	2400Hz Motor Siren (f=2400, a=1.7)		0 1 1 1 1 1	24	12
64	Simulated Bell		1 1 1 1 1 1	21	12