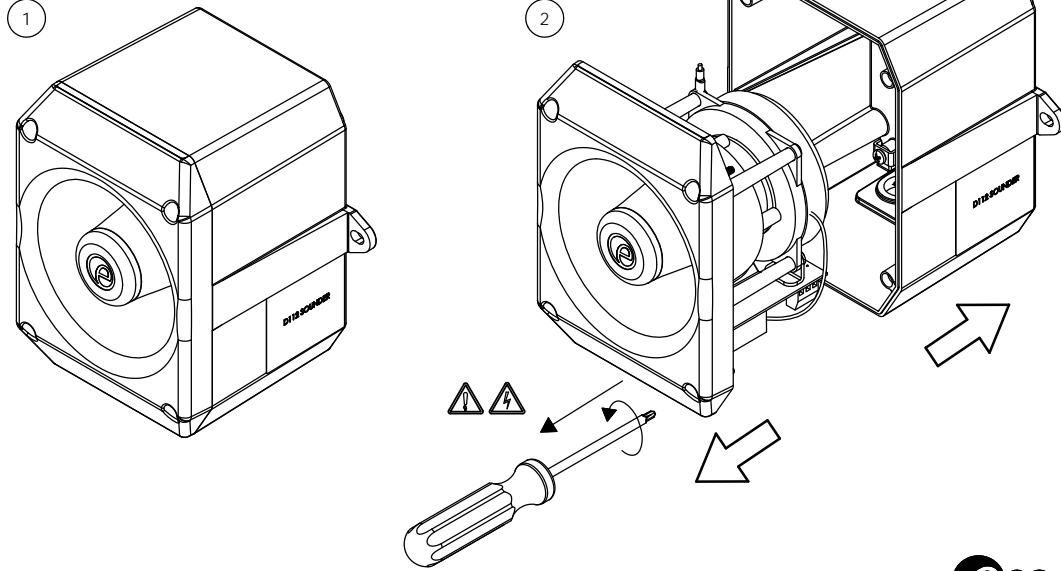


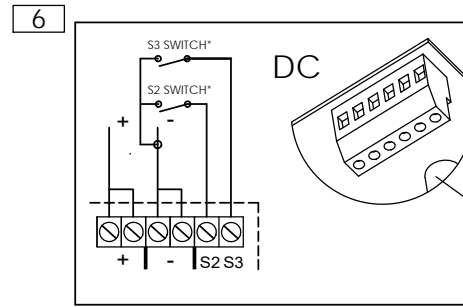
4 Alert Alarm D112



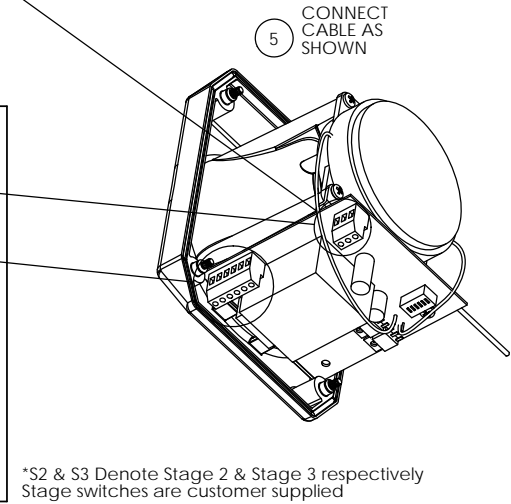
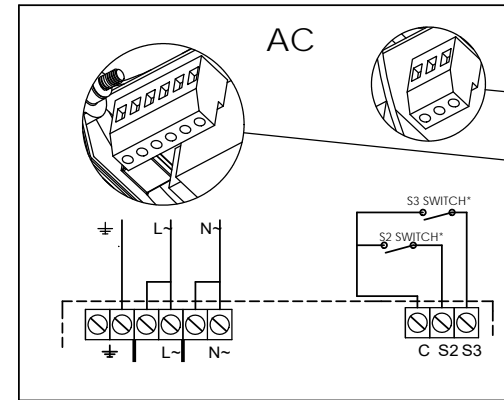
D173-00-001-IS Issue 4

Sheet 2 of 2
19/01/2023

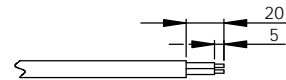
Tel : +44 (0)2 8743 8880
www.e2s.com



TERMINAL BLOCK	A/C INPUT	D/C INPUT
N/-	N-	-
L/+	L-	+
S2	SWITCH TO C	SWITCH TO -
S3	SWITCH TO C	SWITCH TO -

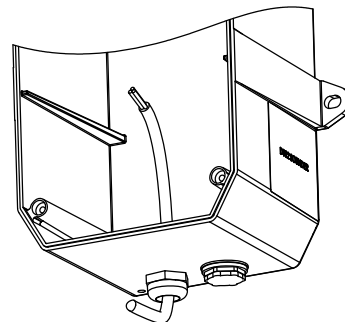
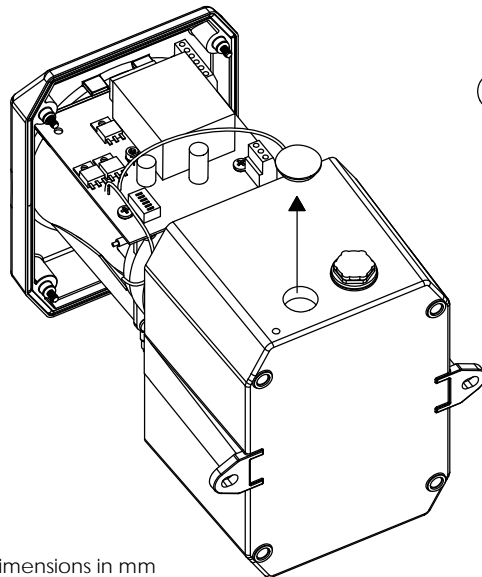


5



4 INSERT CABLE THROUGH SUITABLY SIZED M20 CABLE GLAND, CUSTOMER SUPPLIED, THEN STRIP CABLE TO LENGTH.

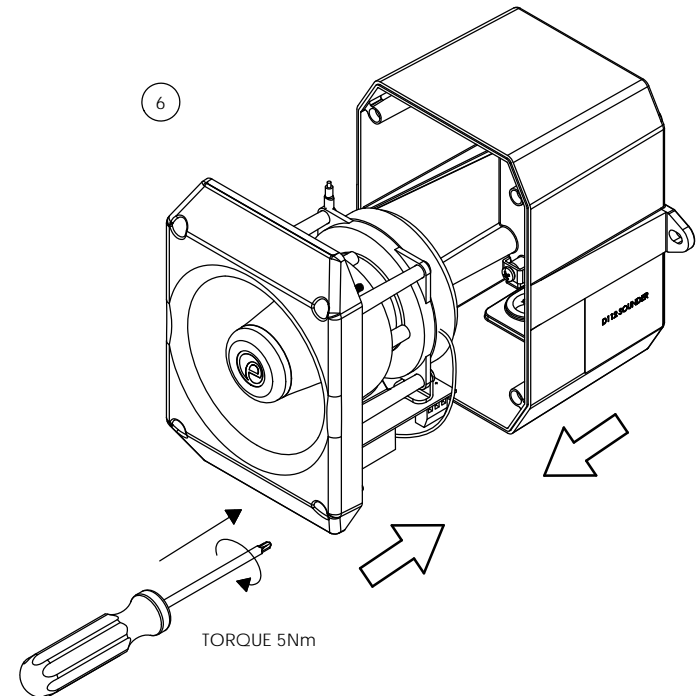
3



Dimensions in mm

7

6



RELATED DRAWING
No modification permitted without reference to "The Authorised Person"

Alert Alarm

D112 Metal Sounder
 45 Selectable Tones & 3 Stages
 Temp: -40°C/°F to +55°C/+131°F
 Unit weight: ac = 2.1Kg; dc = 1.8Kg

D112

Dimensions : 180 x 130 x 125mm
 1.5mm² terminals
 Cable entry: 2-off M20 x 1.5mm threaded holes.



CE, UKCA
 IP Rating: Type 4 / 4X / 3R / 13, IP66

Order code	Voltage Range	Nominal Voltage	Nominal Current
D112DC024AA0A1[X]	10-30 V dc	24 V dc	200mA
D112DC048AA0A1[X]	35-60 V dc	48 V dc	120mA
D112AC024AA0A1[X]	24 ±10% V ac	24 V ac	50mA
D112AC115AA0A1[X]	115 ±10% V ac	115 V ac	100mA
D112AC230AA0A1[X]	230 ±10% V ac	230 V ac	60mA

[X] Denotes Body Colour: R = Red; G = Grey; D = Dark Grey
 [Y] Denotes Lens Colour: A = Amber; B = Blue; C = Clear; G = Green; R = Red; Y = Yellow

D173-00-001-IS Issue 4

Sheet 1 of 2
 19/01/2023

Tel : +44 (0)2 8743 8880
 www.e2s.com



- ATTENTION: Installation must be carried out by an electrician in compliance with the latest codes and regulations.
- ATTENTION: Disconnect from power source before installation or service to prevent electric shock.

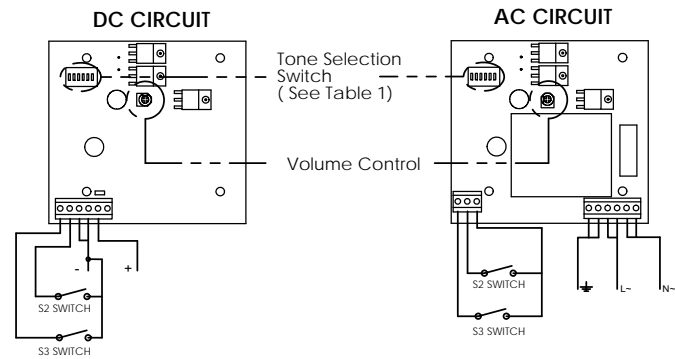
RELATED DRAWING
 No modification permitted without reference to "The Authorised Person"

Table 1 - Tone Selection						
STAGE 1	FREQUENCY DESCRIPTION	Switch			Stage 2	Stage 3
Tone 1	340 Hz Continuous				Tone 2	Tone 5
Tone 2	800/1000Hz @ 0.25 sec Alternating				Tone 17	Tone 5
Tone 3	500/1200Hz @ 0.3Hz 0.5 sec Slow Whoop				Tone 2	Tone 5
Tone 4	800/1000Hz @ 1Hz Sw eeping				Tone 6	Tone 5
Tone 5	2400Hz Continuous				Tone 3	Tone 20
Tone 6	2400/2900Hz @ 7Hz Sw eeping				Tone 7	Tone 5
Tone 7	2400/2900Hz @ 1Hz Sw eeping				Tone 10	Tone 5
Tone 8	500/1200/500Hz @ 0.3Hz Sw eeping				Tone 2	Tone 5
Tone 9	1200/500Hz @ 1Hz - DIN / PFEER P.T.A.P.				Tone 15	Tone 2
Tone 10	2400/2900Hz @ 2Hz Alternating				Tone 7	Tone 5
Tone 11	1000Hz @ 1Hz Intermittent				Tone 2	Tone 5
Tone 12	800/1000Hz @ 0.875Hz Alternating				Tone 4	Tone 5
Tone 13	2400Hz @ 1Hz Intermittent				Tone 15	Tone 5
Tone 14	800Hz 0.25sec on, 1 sec off Intermittent				Tone 4	Tone 5
Tone 15	800Hz Continuous				Tone 2	Tone 5
Tone 16	660Hz 150mS on, 150mS off Intermittent				Tone 18	Tone 5
Tone 17	544Hz (100mS)/440Hz (400mS) - NF S 32-001				Tone 2	Tone 27
Tone 18	660Hz 1.8sec on, 1.8sec off Intermittent				Tone 2	Tone 5
Tone 19	1.4KHz-1.6KHz 1s, 1.6KHz-1.4KHz 0.5s -NFC48-265				Tone 2	Tone 5
Tone 20	660Hz Continuous				Tone 2	Tone 5
Tone 21	554Hz/440Hz @ 1Hz Alternating				Tone 2	Tone 5
Tone 22	544Hz @ 0.875 sec. Intermittent				Tone 2	Tone 5
Tone 23	800Hz @ 2Hz Intermittent				Tone 6	Tone 5
Tone 24	800/1000Hz @ 50Hz Sw eeping				Tone 29	Tone 5
Tone 25	2400/2900Hz @ 50Hz Sw eeping				Tone 29	Tone 5
Tone 26	Bell				Tone 2	Tone 15
Tone 27	554Hz Continuous				Tone 26	Tone 5
Tone 28	440Hz Continuous				Tone 2	Tone 5
Tone 29	800/1000Hz @ 7Hz Sw eeping				Tone 7	Tone 5
Tone 30	300Hz Continuous				Tone 2	Tone 5
Tone 31	660/1200Hz @ 1Hz Sw eeping				Tone 26	Tone 5
Tone 32	Two tone chime.				Tone 26	Tone 15
Tone 33	745Hz @ 1Hz Intermittent				Tone 2	Tone 5
Tone 34	1000 & 2000Hz @ 0.5 sec Alternating - Singapore				Tone 38	Tone 45
Tone 35	420Hz @ 0.625 sec Australian Alert				Tone 36	Tone 5
Tone 36	500-1200Hz 3.75sec /0.25sec. Australian Evac.				Tone 35	Tone 5
Tone 37	1000Hz Continuous - PFEER Toxic Gas				Tone 9	Tone 45
Tone 38	2000Hz Continuous				Tone 34	Tone 45
Tone 39	800Hz 0.25sec on, 1 sec off Intermittent				Tone 23	Tone 17
Tone 40	544Hz (100mS)/440Hz (400mS) - NF S 32-001				Tone 31	Tone 27
Tone 41	Motor Siren - slow rise to 1200 Hz				Tone 2	Tone 5
Tone 42	Motor Siren - slow rise to 800 Hz				Tone 2	Tone 5
Tone 43	1200 Hz Continuous				Tone 2	Tone 5
Tone 44	Motor Siren - slow rise to 2400 Hz				Tone 2	Tone 5

NOTE: Please check factory settings and ensure the correct alarm tone is selected for your country or application

Tone Selection / Switch Setting - Switch settings are shown in the tone selection table. Black squares are the switch levers in the ON positions

Reverse Polarity Switching - On DC versions the second stage alarm tone can be selected by reversing the polarity of the supply voltage if switch 6 is in the ON position if Link LK3 is present.



No liability is accepted for any consequences of the use of this document. The technical specification of this unit is subject to change without notice due to our policy of continual product development. All dimensions/weights are approximate. This unit is sold subject to our standard conditions of sale, a copy of which is available on request.