



Clifford & Snell

INSTALLATION & TECHNICAL INFORMATION

PLEASE READ PRIOR TO INSTALLATION



FL40 Yodac Series
(Flashing Xenon Beacons)

VISUAL SIGNALLING DEVICE

S00631 Issue 2

APPROVALS AND CONFORMITIES



www.moflash.com

technical@moflash.co.uk

Installation

- Installation must be carried out in accordance with the latest codes of practice by a qualified electrician.
- Check that the power supply is correct for the voltage rating of the Beacon to be installed.
- Ensure that the power supply is disconnected prior to installation or maintenance to avoid electrical shock.
- The back box must be mounted with the two cable entry holes at the top or bottom.
- Cable entries points (M20) are provided on all sides and in the base.
- The back box should be mounted to a wall, bulkhead or conduit box formed of suitable material using the back box and gasket supplied. See Figure 4 for mounting holes.
- Avoid mounting the Beacon where it could be subjected to excessive vibration levels.
- It is not necessary to earth the alarm circuitry, but earth tags should be used if earth continuity of conduit or cable sheathing is to be maintained.

Ingress Protection

To maintain the IP rating of the product, the below points must be observed.

- A suitable rated (Minimum IP65) cable gland (not supplied) must be used.
- When replacing the front cover, each of the two retaining screws **must** be torqued to $0.6\text{Nm} \pm 0.1\text{Nm}$

24vDC PCB

- Confirm the correct voltage is to be applied for the unit.
- Max termination size of 2.5mm^2 cable.
- +24v AC/DC applied to the "+" terminal, 0v applied to the "-" terminal.
- Loop-in, Loop-out connectivity.
- See Figure 1

Line Integrity on DC Systems

- Monitor via threshold, (applied voltage < 1v) an end-of-line (E.O.L) resistor is required for line monitoring and should have a minimum resistance of $3\text{k}\Omega$ Ohms and 0.5 Watts, wire-wound or metal film type.

115 & 230vAC PCB

- Confirm the correct voltage is to be applied for the unit.
- Max termination size of 2.5mm^2 cable.
- Live applied to the "L" terminal, Neutral applied to the "N" terminal.
- See Figure 2
- Connectivity applies to both 115vAC & 230vAC units.

Figure 1

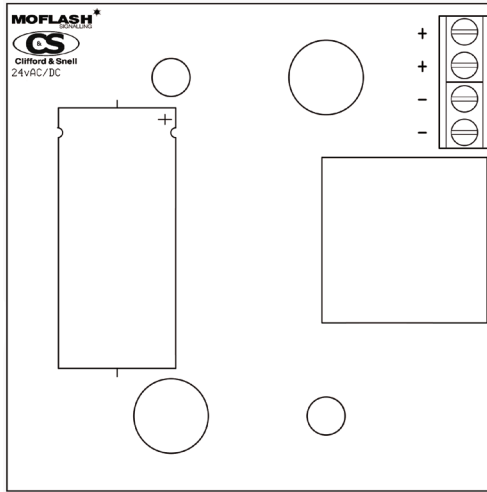
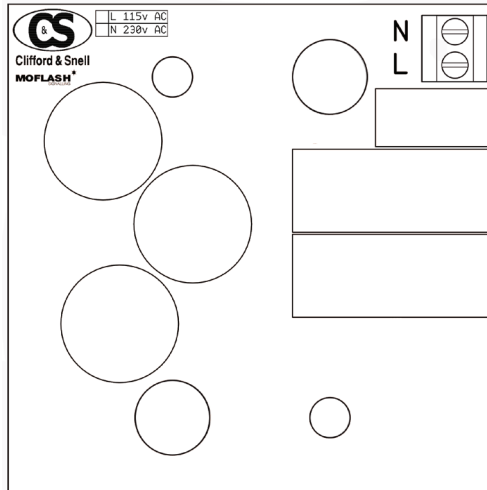


Figure 2



Features include:

- Termination: Upto 2.5mm² cable
- Flash Rate: 60 Flashes Per Minute (1Hz)
- Operating Temperature: -25°C to +70°C
- Enclosure Material: Fire Resistant UL94-5VB rated ABS
- Lens Material: Fire Resistant Polycarbonate
- Ingress Protection: Weatherproof to IP65
- AC Supply: 50/60Hz

Dimensional Drawing

Figure 3

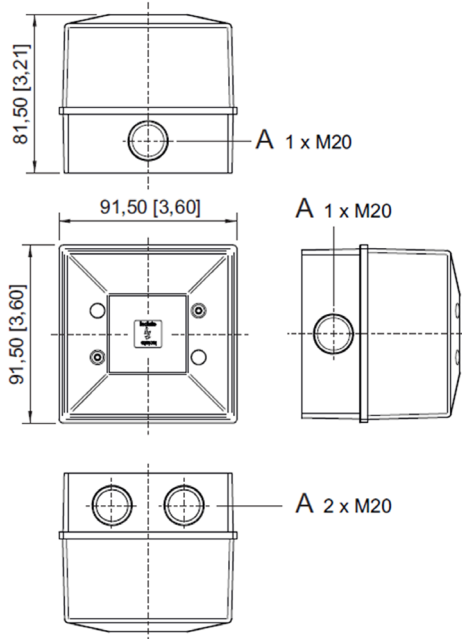
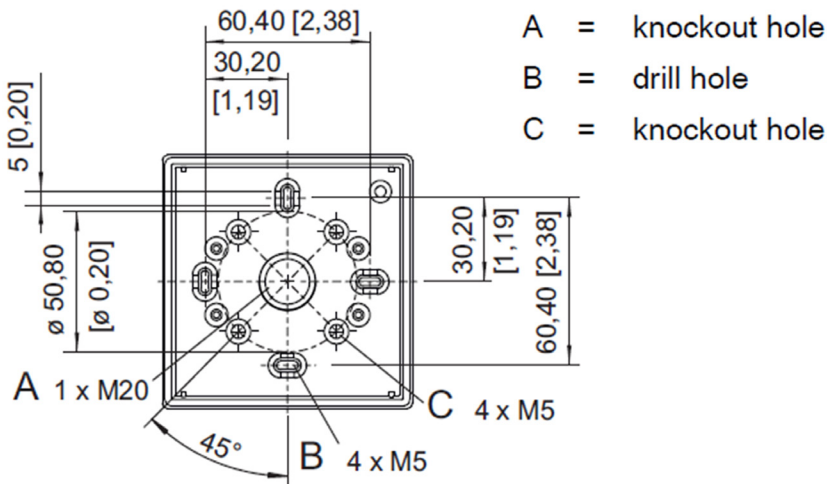


Figure 4



Moflash Signalling Limited accepts no liability for any consequences following use of this document. Any technical specifications and products referred to within this document are subject to change without notice due to continual improvement and product development policies. The units are sold under Moflash standard conditions of sale, available on request.

Additional resources, including installation sheet translations, certificates and DoCs are available from the www.moflash.co.uk website