



Clifford & Snell[®]

Yodac[®] FL40

A Multi-Purpose Flashing Visual Signalling Device designed for use in Commercial & Industrial applications.
(Also known as V4 Xenon)

PRODUCT FEATURES

- Output options:
 - 5 Joule Xenon
 - 2.5 Joule Xenon (on request)
- High Flash Intensity
- Flame retardant ABS enclosure
- UV Stable Polycarbonate Lens
- Lens available in Eight Colours
- Red or White Back Box Options
- Robust, reliable and simple to install
- IP65 as standard



Product Approvals



Electrical Data	
Operating Voltage	Current Draw (5J)
24vDC ---	310mA
48vDC ---	155mA
115vAC ~	100mA
230vAC ~	75mA

Mechanical Data	
Enclosure Material	ABS FR UL94 5VB
Lens Material	PC FR UV Stable UL94 HB
External Fixings	Stainless Steel
Degree of Protection	IP65 (IEC60529)

Ambient Conditions	
Operating Temperatures	
Standard General	-35 °C to +70 °C
Storage Temperature	-40 °C to +70 °C
Max. Relative Humidity	93% ± 3 at 40 °C

Line Integrity on DC Systems

Monitoring via reserve polarity end of line resistance. Minimum 3K3 Ohms 0.5 Watts wire wound or metal film type.

Mounting / Installation

For ease of installation the beacon lens is supplied loose from the mounting back box. The back box must be mounted with the two cable entries either at the top or the bottom. The back box should be mounted to a suitable flat wall, bulkhead or conduit box avoiding areas of undue vibration and using the internal fixing point options in the back box. Always use the mounting gasket supplied.

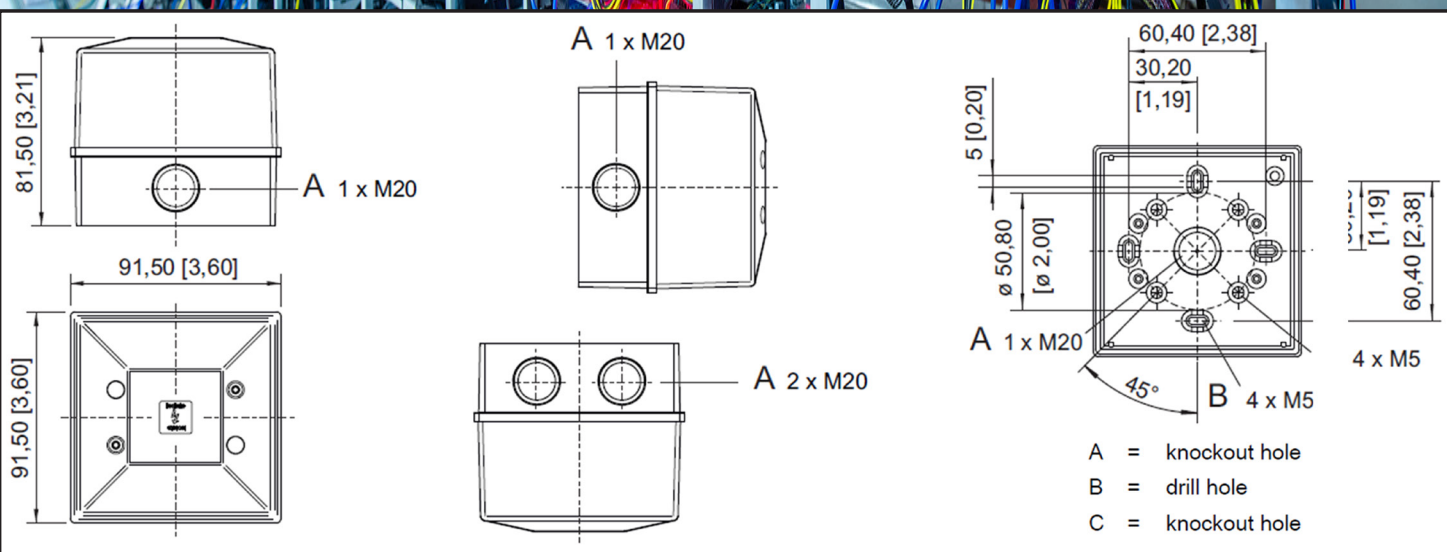
The recommended fixing screws are 4.5mm Dia x 20mm Long.

To maintain the IP rating of the enclosure the cable entries must be fitted with a suitably rated cable gland (Not Supplied). Max cable termination 2.5mm².

Dimensional Drawing

We reserve the right to make alterations to the technical data, dimensions, weights, designs and products available without notice. The illustrations cannot be considered binding.

All Dimensions in mm [inches] - Subject to alterations



SELECTION



Version	Enclosure Colour	Flash Energy	Rated Operational Voltage	Lens Colour	Effective Candela (cd)	Order Number	Art. No.	Weight (kg)			
FL40 Xenon UKCA & CE marked, standard devices	Red Normal (RN) RAL 3001	5J	24vDC --- (15-28vDC)	Amber	25.52	FL40/D50/A/RN	204955	0.260			
				Red	8.92	FL40/D50/R/RN	204994	0.260			
				Green	29.70	FL40/D50/G/RN	204984	0.260			
				Opal	65.78	FL40/D50/O/RN	204989	0.260			
				Blue	14.09	FL40/D50/B/RN	204969	0.260			
				Clear	72.10	FL40/D50/C/RN	204976	0.260			
			48vDC ---	Amber	25.52	FL40/F50/A/RN	205005	0.250			
				Red	8.92	FL40/F50/R/RN	222690	0.250			
				Green	29.70	FL40/F50/G/RN	220162	0.250			
				Opal	65.78	FL40/F50/O/RN	220163	0.250			
				Blue	14.09	FL40/F50/B/RN	220140	0.250			
				Clear	72.10	FL40/F50/C/RN	223141	0.250			
			115vAC ~ (100-130vAC)	Amber	25.52	FL40/L50/A/RN	205012	0.250			
				Red	8.92	FL40/L50/R/RN	205019	0.250			
				Green	29.70	FL40/L50/G/RN	212341	0.250			
				Opal	65.78	FL40/L50/O/RN	212342	0.250			
				Blue	14.09	FL40/L50/B/RN	212343	0.250			
				Clear	72.10	FL40/L50/C/RN	212344	0.250			
			230vAC ~ (180-265vAC)	Amber	25.52	FL40/N50/A/RN	205026	0.250			
				Red	8.92	FL40/N50/R/RN	205047	0.250			
				Green	29.70	FL40/N50/G/RN	205039	0.250			
				Opal	65.78	FL40/N50/O/RN	205042	0.250			
				Blue	14.09	FL40/N50/B/RN	205033	0.250			
				Clear	72.10	FL40/N50/C/RN	212346	0.250			
			Purple (Magenta) & Yellow Beacon Lenses available upon request.								
			2.5 Joules Xenon options available upon request								
			24vAC Xenon options available upon request								

SELECTION

Version	Enclosure Colour	Flash Energy	Rated Operational Voltage	Lens Colour	Effective Candela (cd)	Order Number	Art. No.	Weight (kg)			
FL40 Xenon UKCA & CE marked, standard devices	White Normal (WN) RAL 9003	5J	24vDC --- (15-28vDC ---)	Amber	25.52	FL40/D50/A/WN	204961	0.260			
				Red	8.92	FL40/D50/R/WN	205003	0.260			
				Green	29.70	FL40/D50/G/WN	204986	0.260			
				Opal	65.78	FL40/D50/O/WN	205009	0.260			
				Blue	14.09	FL40/D50/B/WN	204974	0.260			
				Clear	72.10	FL40/C50/C/WN	204978	0.260			
			48vDC ---	Amber	25.52	FL40/F50/A/WN	220164	0.250			
				Red	8.92	FL40/F50/R/WN	220165	0.250			
				Green	29.70	FL40/F50/G/WN	205006	0.250			
				Opal	65.78	FL40/F50/O/WN	220166	0.250			
				Blue	14.09	FL40/F50/B/WN	220167	0.250			
				Clear	72.10	FL40/F50/C/WN	220168	0.250			
			115vAC ~ (100-130vAC)	Amber	25.52	FL40/L50/A/WN	220180	0.250			
				Red	8.92	FL40/L50/R/WN	220181	0.250			
				Green	29.70	FL40/L50/G/WN	220182	0.250			
				Opal	65.78	FL40/L50/O/WN	220183	0.250			
				Blue	14.09	FL40/L50/B/WN	220184	0.250			
				Clear	72.10	FL40/L50/C/WN	220185	0.250			
			230vAC ~ (180-265vAC)	Amber	25.52	FL40/N50/A/WN	220186	0.250			
				Red	8.92	FL40/N50/R/WN	220187	0.250			
				Green	29.70	FL40/N50/G/WN	220188	0.250			
				Opal	65.78	FL40/N50/O/WN	220189	0.250			
				Blue	14.09	FL40/N50/B/WN	205036	0.250			
				Clear	72.10	FL40/N50/C/WN	205037	0.250			
			Purple (Magenta) & Yellow Beacon Lenses available upon request.								
			2.5 Joules Xenon options available upon request								
			24vAC Xenon options available upon request								