

SPECTRA B400RTH

Rotating Beacon
 G6,35/GY6,35 Halogen Bulb
 IP Rating: IP65
 Temp: -25°C to +50°C
 Unit weight: 578g
 CE, UKCA



Dimensions : Ø140 x 225mm
 1.5mm² terminals
 Cable entry: 1 x 5-7mm push through
 grommet
 2 x M20 cable entry (IP65)

x = Lens colour

R = Red A = Amber
 B = Blue C = Clear
 G = Green Y = Yellow

Order code Voltage
 B400RTH012B/x 12V DC 3000mA
 B400RTH024B/x 24V DC 1540mA
 B400RTH048B/x 48V DC/AC 840mA


Bulb Type G6,35 / GY6,35


B400RTH115B/x 115V AC 338mA
 B400RTH230B/x 230V AC 186mA


E2S Part No.	Bulb	Beacon Type
BJC35W12VCL	12V 35W	12V
BJC35W24VCL	24V 35W	24V
BJC20W24VCL	24V 20W x 2	48V
BJCD40W120VCL	115V 40W	115V
BJCD40W230VCL	230V 40W	230V


Mountings
 B400RAB001 Right angle bracket
 B400TMA001 Tube mounting assembly



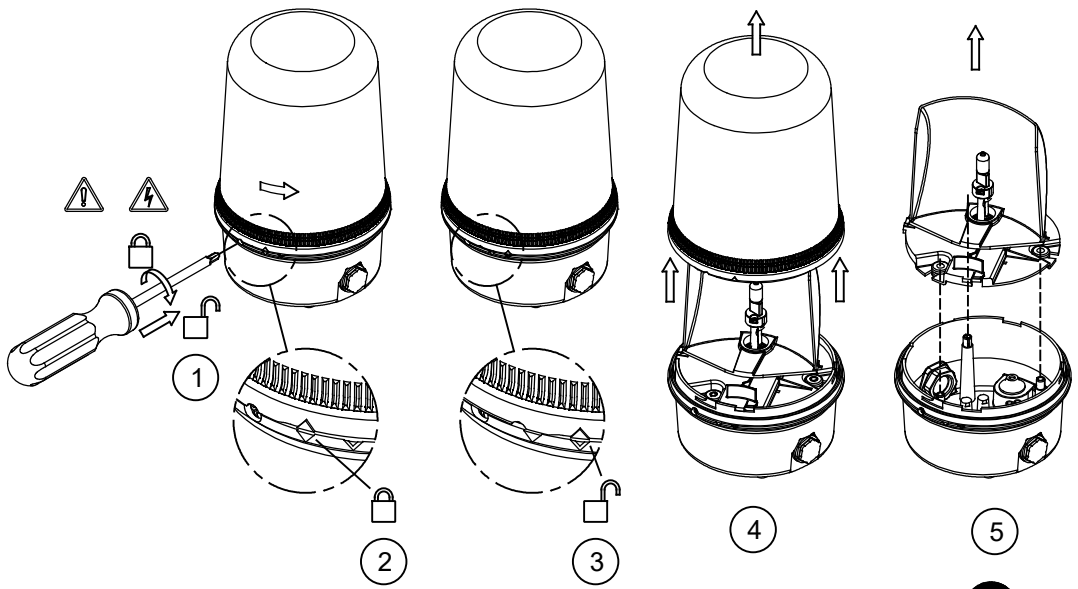
 **ATTENTION:** Installation must be carried out by an electrician in compliance with the latest codes and regulations.

 **ATTENTION:** Disconnect from power source before installation or service to prevent electric shock.

 **ATTENTION:** Lens on unit will be hot allow to cool prior to removal.

 **ATTENTION:** Do not touch the surface of halogen bulb when changing.

3 SPECTRA B400RTH



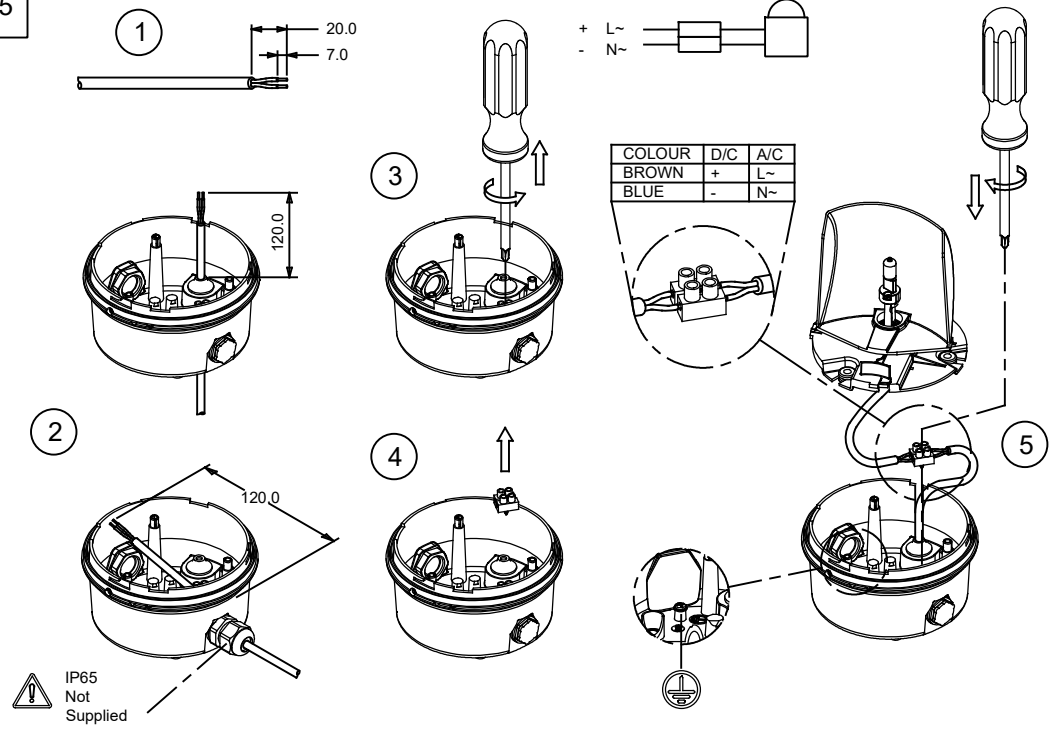
D123-00-001-IS Issue 1

Sheet 2 of 2
19/01/2023

Tel : +44 (0)20 8743 8880
www.e2s.com

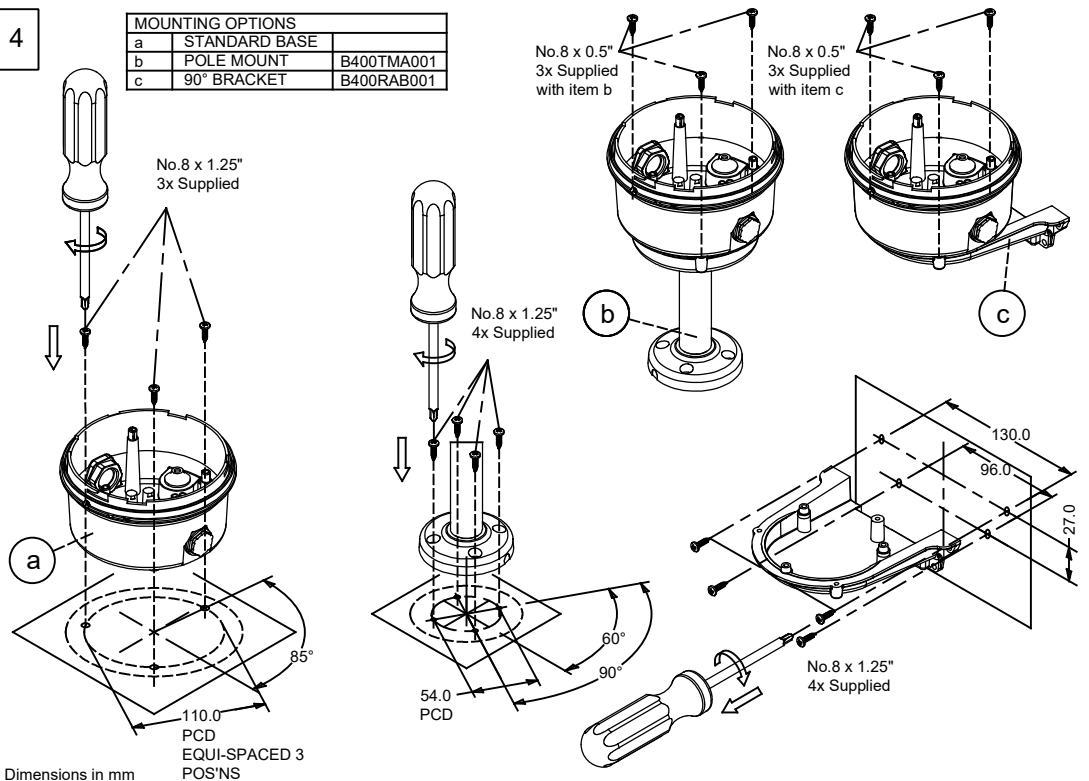


5

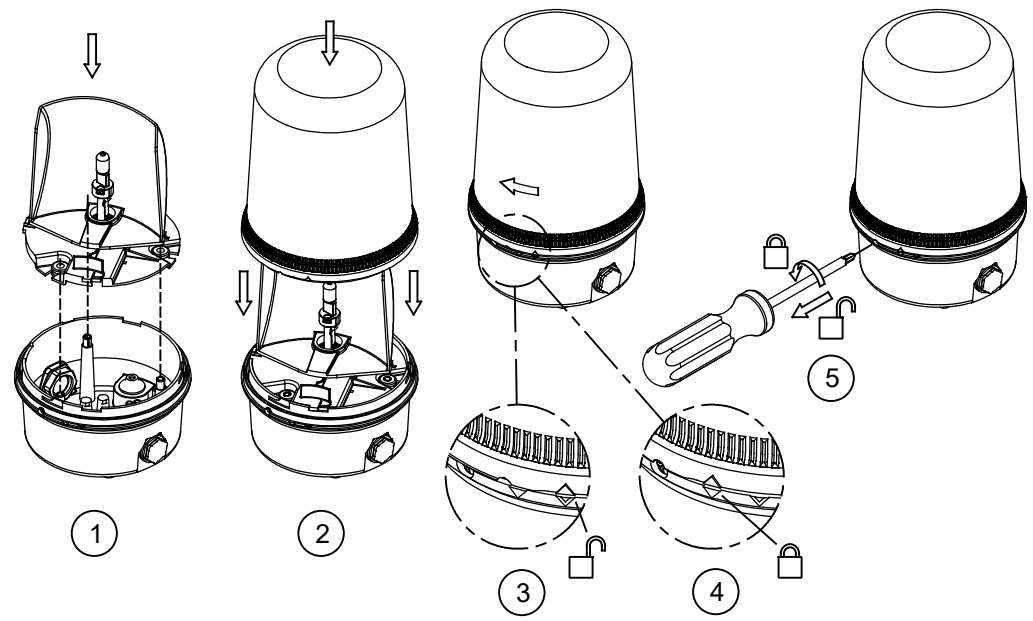


4

MOUNTING OPTIONS		
a	STANDARD BASE	
b	POLE MOUNT	B400TMA001
c	90° BRACKET	B400RAB001



6



Dimensions in mm