

1

SPECTRA B400LDA

L.E.D. Array Beacon
32 x High powered L.E.D's
9 Selectable user modes

IP Rating: IP65

Temp: -25°C to +50°C

Unit weight: 845g DC 595g AC
CE, UKCA



Order code Voltage
B400LDA050B/x 10-50V DC 400mA

B400LDA115B/x 115V AC 140mA
B400LDA230B/x 230V AC 70mA

Dimensions : Ø140 x 225mm
1.5mm² terminals
Cable entry: 1 x 5-7mm push through
grommet
2 x M20 cable entry (IP65)

x = Lens colour
R = Red A = Amber
B = Blue G = Green
Y = Yellow

Mountings
B400RAB001 Right angle bracket
B400TMA001 Tube mounting assembly

D124-00-001-IS Issue 1

Sheet 1 of 2
19/01/2023

Tel : +44 (0)20 8743 8880
www.e2s.com



2

ATTENTION: Installation must be carried out by an electrician in compliance with the latest codes and regulations.

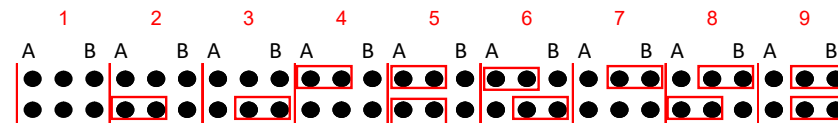
ATTENTION: Disconnect from power source before installation or service to prevent electric shock.

ATTENTION: Lens on unit will be hot allow to cool prior to removal.

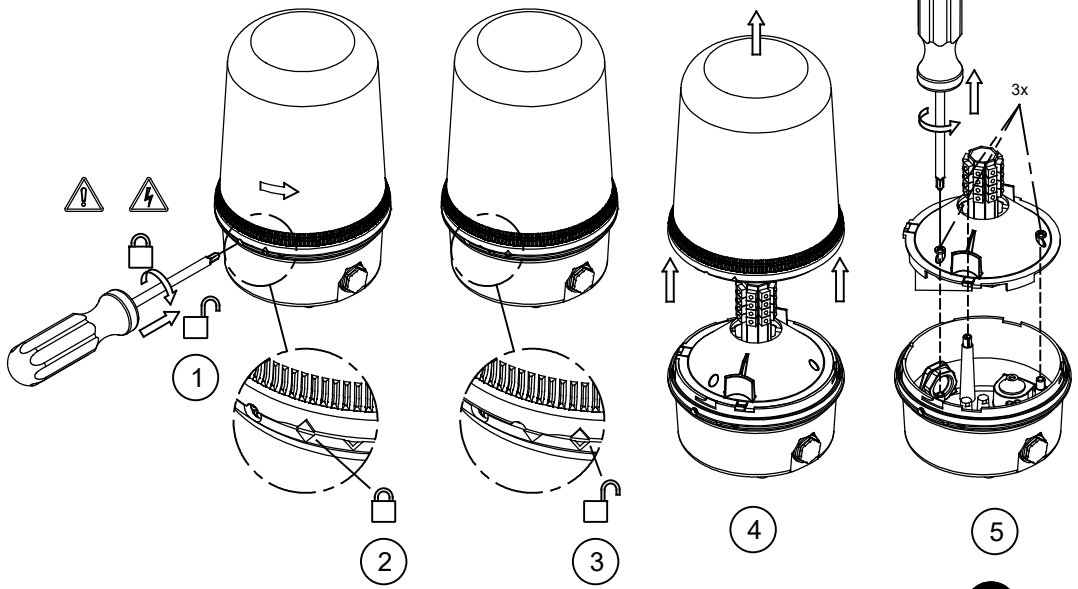
3

B400LDA

	Stage 1 [DC & AC unit]	Stage2 [DC unit only]	Stage3 [DC unit only]
1	All L.E.D's on	Alternate Side Flash 2Hz	Double Strike Flash 2Hz
2	Rotating: Slow 1	Alternate Side Flash 2Hz	All L.E.D's on
3	Single Strike Flash 2Hz	Rotating: Fast 2	All L.E.D's on
4	Rotating: Fast 1	Single Strike Flash 2Hz	All L.E.D's on
5	Rotating: Slow 2	Double Strike Flash 1Hz	All L.E.D's on
6	Double Strike Flash 2Hz	Rotating: Fast 2	All L.E.D's on
7	Rotating: Fast 2	Double Strike Flash 2Hz	All L.E.D's on
8	Double Strike Flash 1Hz	Alternate Side Flash 2Hz	All L.E.D's on
9	Alternate Side Flash 2Hz	Rotating: Fast 2	All L.E.D's on



4 SPECTRA B400LDA



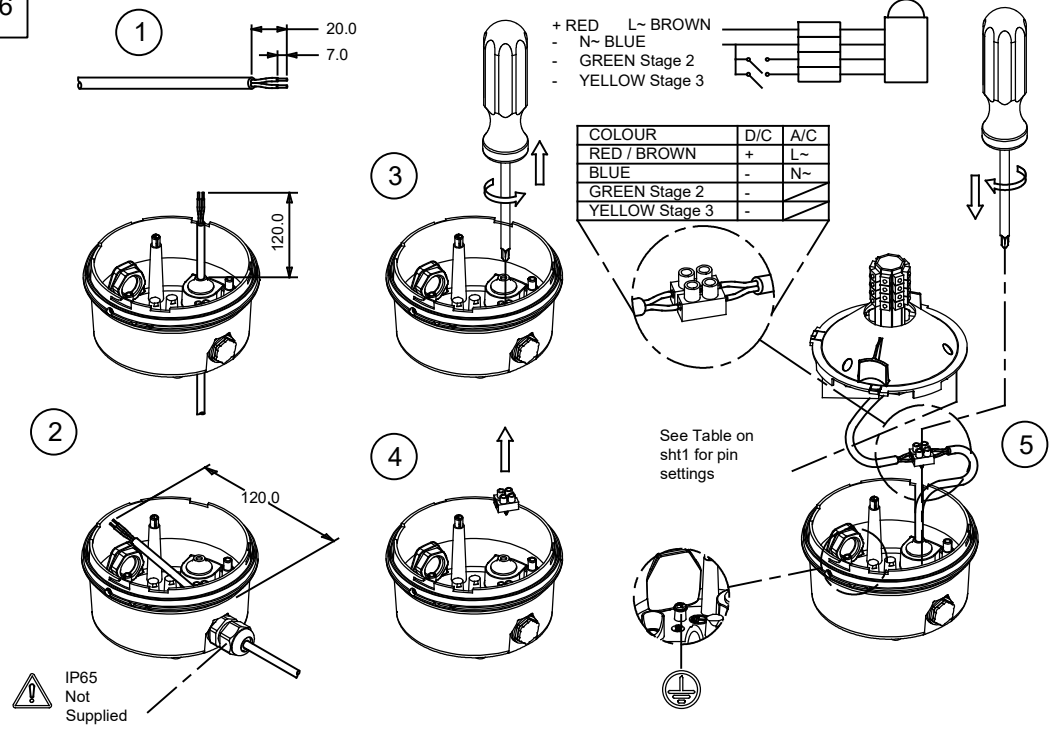
D124-00-001-IS Issue 1

Sheet 2 of 2
19/01/2023

Tel : +44 (0)20 8743 8880
www.e2s.com

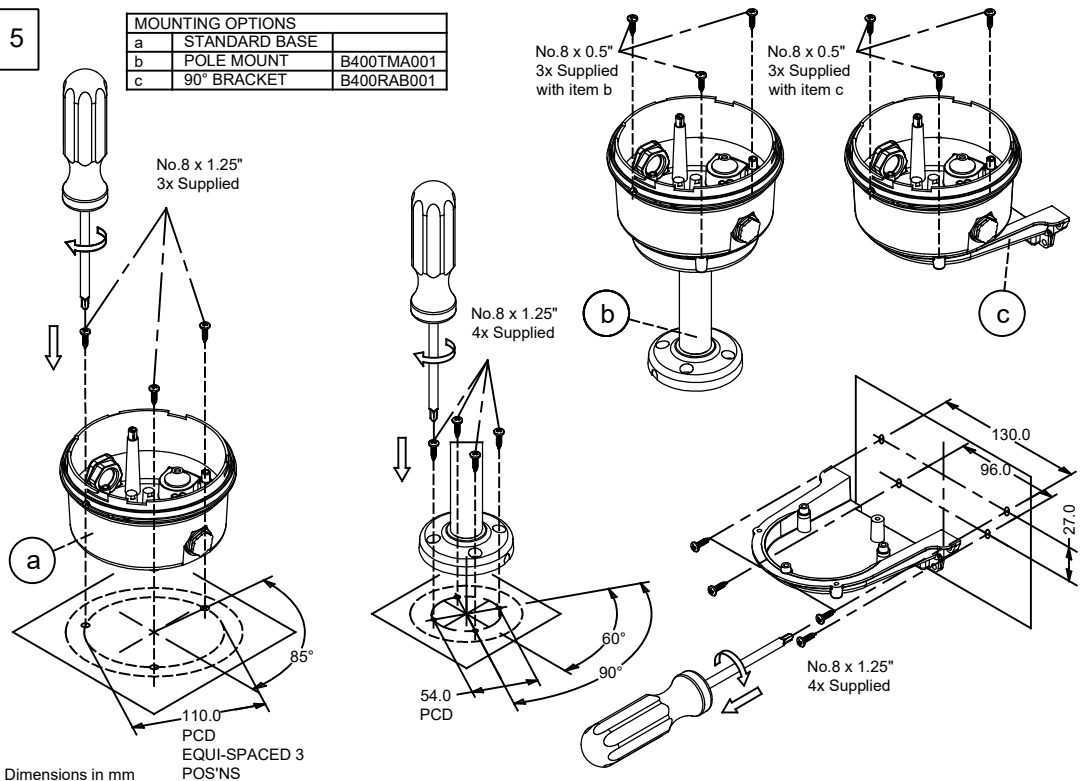


6



5

MOUNTING OPTIONS		
a	STANDARD BASE	
b	POLE MOUNT	B400TMA001
c	90° BRACKET	B400RAB001



Dimensions in mm

7

