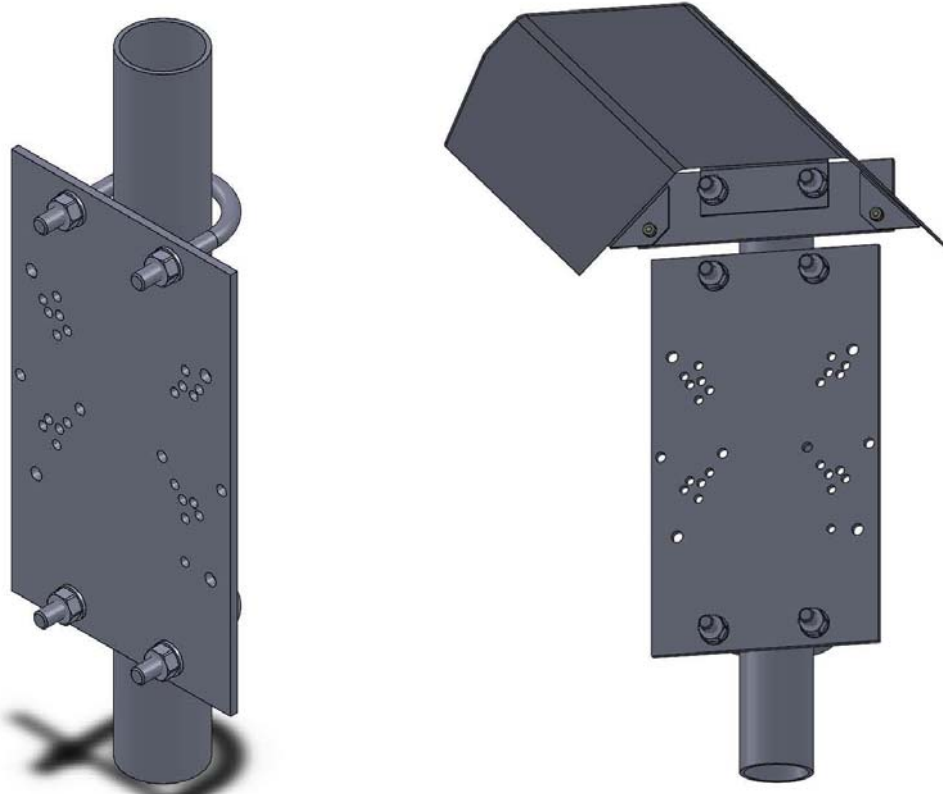


	<b>Engineering Report ER0058</b>	Issue: C
		Date: 15-06-18

## Pole Mount Bracket & Sun Shade



### Introduction

This Engineering Report outlines the product ranges that fit on the E2S pole mount assembly and sun shade assembly outlining some key features to the design.

	<h1>Engineering Report ER0058</h1>	Issue: C
		Date: 15-06-18

## Contents Page

1.	Product Pole Plate.....	3
2.	Product Pole Mount Bracket Assembly Pack.....	4
3.	Sun Shade .....	5
4.	Sun Shade Pole Mount Bracket Assembly Pack.....	6

### Sounders/Horns/Loudspeakers

5.	BEx Sounder .....	7
6.	GNEEx Sounder .....	8
7.	D2x Sounder .....	9
8.	D1x Sounder .....	10
9.	STEx Sounder.....	11

### Beacons

10.	BEx Beacon.....	12
11.	GNEExB1 Beacon .....	13
12.	GNEExB2 Beacon .....	14
13.	D2xB1 Beacon .....	15
14.	STExB2 Beacon.....	16

### Manual Call Points & Pull Stations

15.	BExCP3 Call Point .....	17
16.	GNxCP6 Call Point.....	18
17.	STExCP8 Call Point.....	19

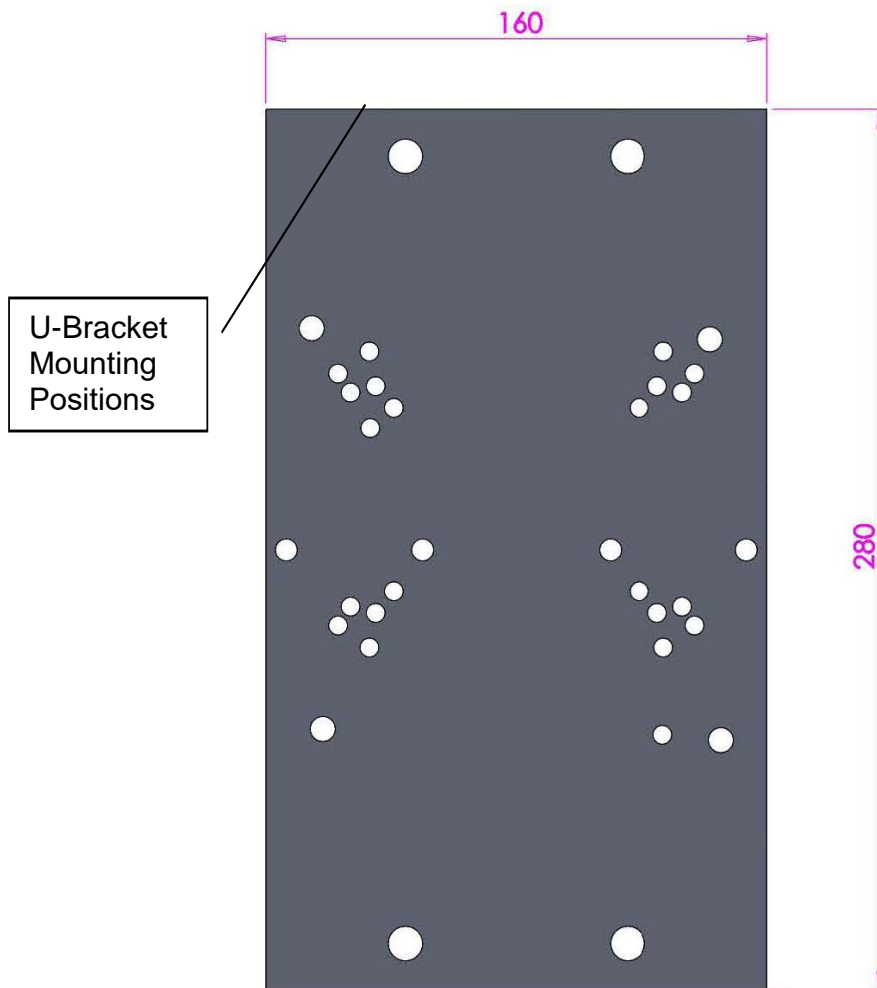
### Combined Audible & Visual Signals

18.	BEx Combined .....	20
19.	D2x Combined.....	21
20.	D1x Combined.....	22
21.	STEx Combined .....	23

	<b>Engineering Report ER0058</b>	<b>Issue: C</b>
		<b>Date: 15-06-18</b>

## 1. Pole Mount Bracket

The pole plate will fit around a 2" pole only.  
Available in ST/ST A2 (304), ST/ST A4 (316) or Mild Steel  
5mm Thick



	<b>Engineering Report ER0058</b>	<b>Issue: C</b>
		<b>Date: 15-06-18</b>

## 2. Pole Mount Bracket Assembly Pack

The pack will include:

- Plate
- U-Brackets (X2) and Fixtures (X4)
- Unit Fixtures (depending on unit)
  - M6 Fixtures or
  - M5 Fixtures or
  - M4 Fixtures

Part Number:

SP65-0001-A2

SP65-0001-A4

SP65-0001-MS

Pole Mount Bracket Assembly Pack A2(304) ST/ST

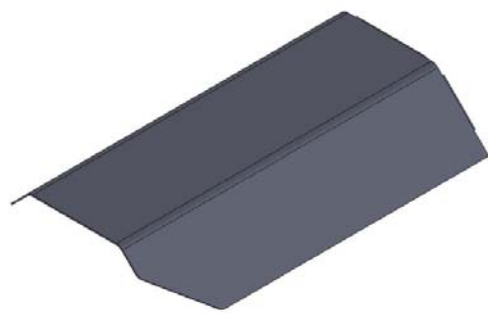
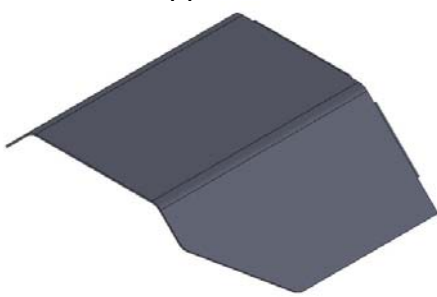
Pole Mount Bracket Assembly Pack A4(316) ST/ST

Pole Mount Bracket Assembly Pack Mild Steel

	<h1>Engineering Report ER0058</h1>	Issue: C
		Date: 15-06-18

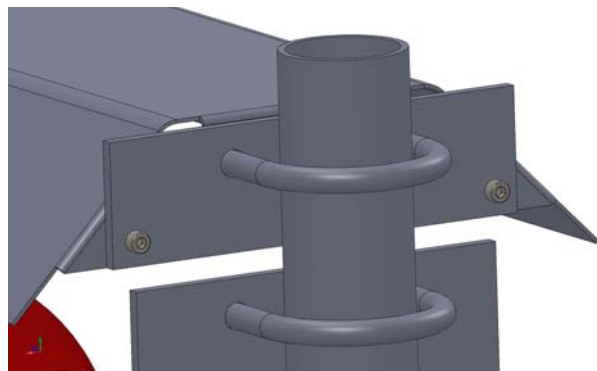
### 3. Sun Shade

The sun shade is an additional feature that can be added to the pole. The sun shade is on a separate plate which allows the sun shade to be adjusted and set at a different angle to protect the product. It comes with a backing plate for additional support.

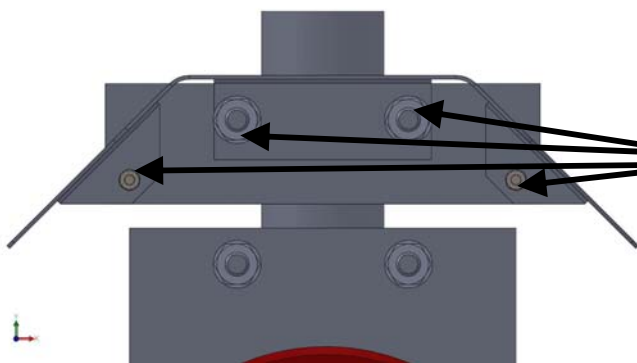


Small Sun Shade for Manual Call Points and D2x family

Large Sun Shade for all other products



Back View



4 Points to ensure strong fixtures

Front View

	<h2>Engineering Report ER0058</h2>	Issue: C
		Date: 15-06-18

#### 4. Sun Shade Assembly Pack

The pack will include:

- Sun Shade
- Backing Plate
- U-Bracket (X1) and Fixtures (X2)
- Sun Shade Fixtures
  - M5 Fixtures

##### Part Number

SP65-0002-A2	Small Sun Shade Assembly Pack A2(304) ST/ST
SP65-0002-A4	Small Sun Shade Assembly Pack A4(316) ST/ST
SP65-0002-MS	Small Sun Shade Assembly Pack Mild Steel

##### Part Number

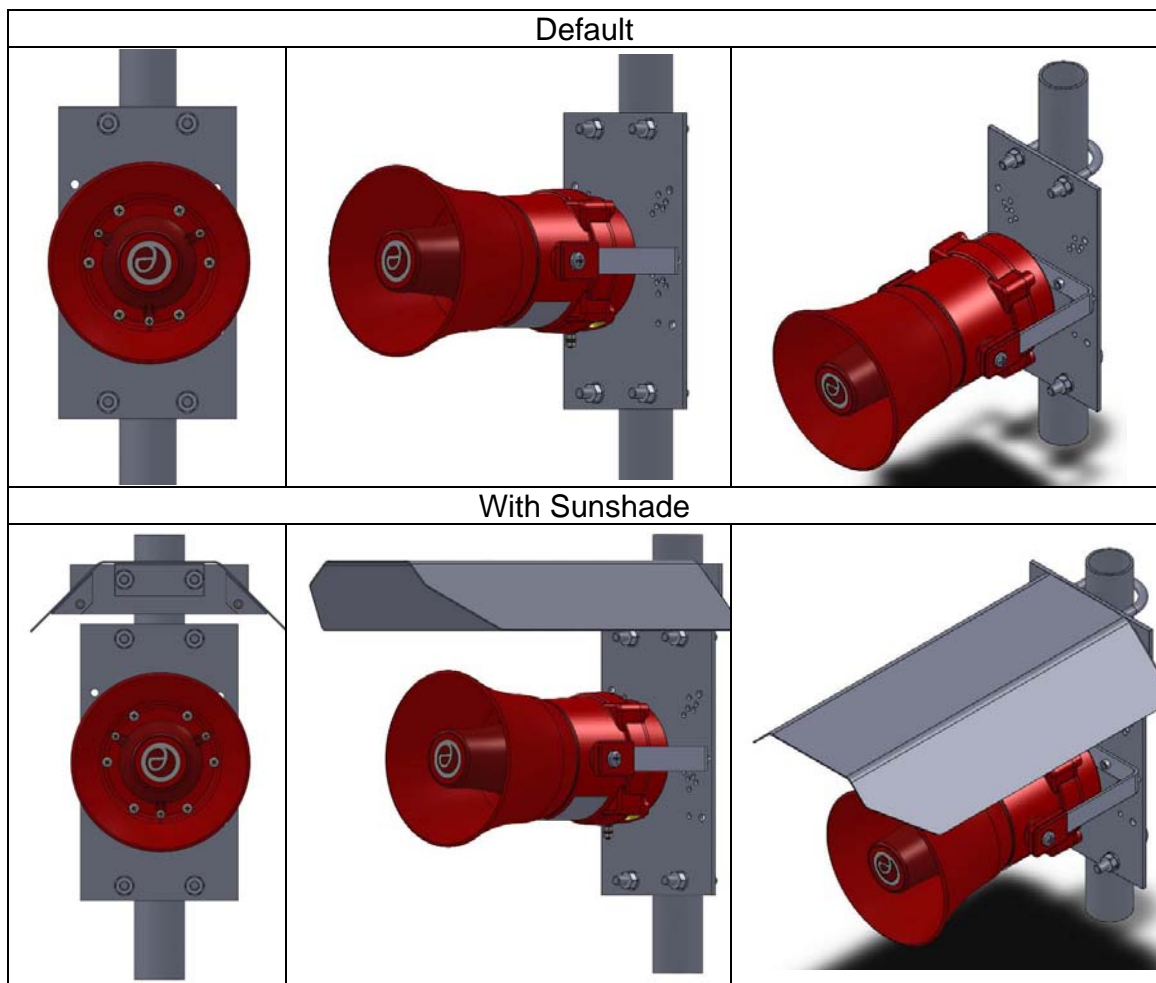
SP65-0003-A2	Large Sun Shade Assembly Pack A2(304) ST/ST
SP65-0003-A4	Large Sun Shade Assembly Pack A4(316) ST/ST
SP65-0003-MS	Large Sun Shade Assembly Pack Mild Steel

	<h2>Engineering Report ER0058</h2>	Issue: C
		Date: 15-06-18

### 5. BEx Sounders/Horns/Loudspeakers

The BEx audible devices are mounted to the plate via the product bracket. The orientation of the devices can be adjusted vertically via the U bracket. Outline Drawing: D217-05-001

- Units: BExS110, BExS120, BExL15 & BExL25, BExH120
- Horn: Flare or Radial (only flare horn version depicted below)
- Point of Fixture: U-Bracket
- Fixtures: M6 Socket Head Screws, M6 Spring Washer, M6 Plain Washer & M6 Nut
- Entries Location: Top or Bottom



SP65-0001-A2 Pole Mount Bracket Assembly Pack A2(304) ST/ST  
 SP65-0001-A4 Pole Mount Bracket Assembly Pack A4(316) ST/ST  
 SP65-0001-MS Pole Mount Bracket Assembly Pack Mild Steel

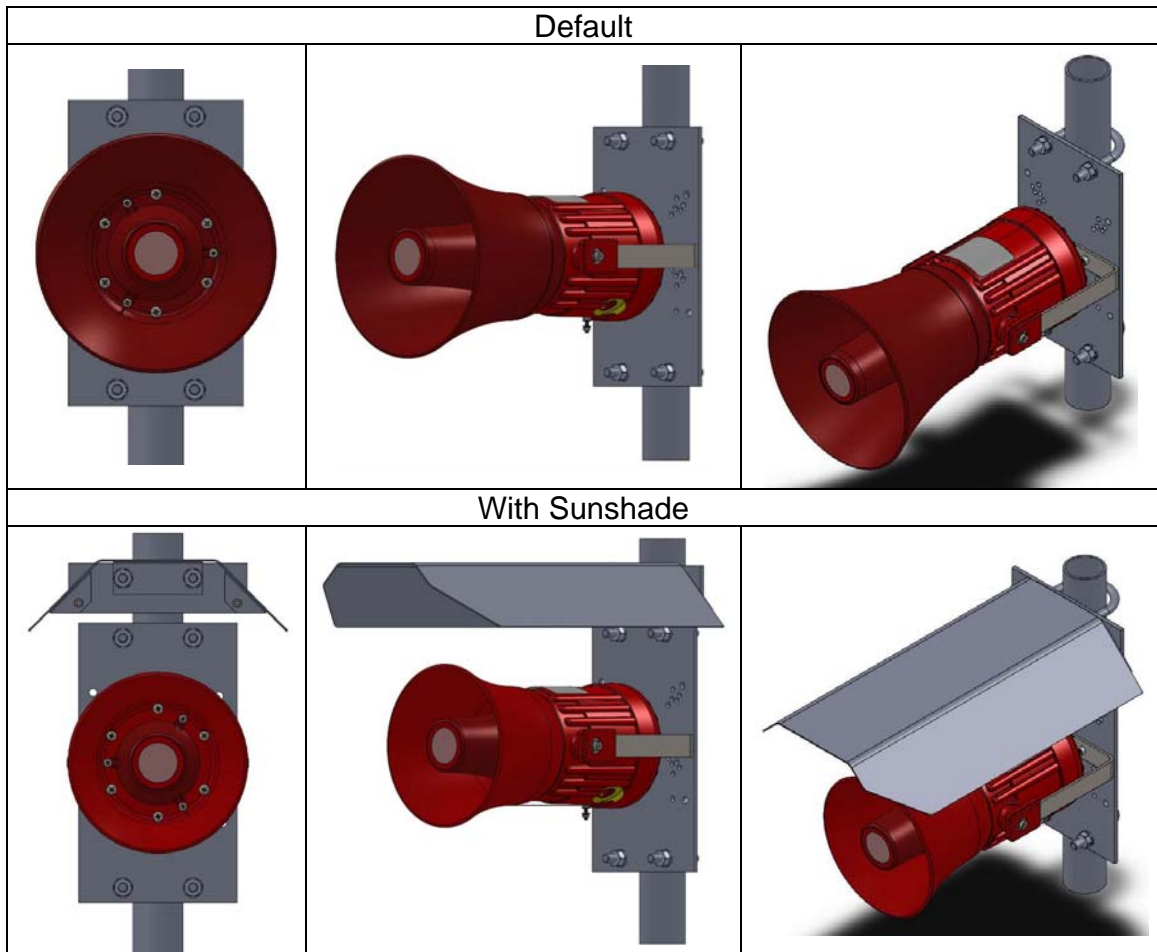
SP65-0003-A2 Large Sun Shade Assembly Pack A2(304) ST/ST  
 SP65-0003-A4 Large Sun Shade Assembly Pack A4(316) ST/ST  
 SP65-0003-MS Large Sun Shade Assembly Pack Mild Steel

	<h1>Engineering Report ER0058</h1>	Issue: C
		Date: 15-06-18

## 6. GNEx Sounders/Horns/Loudspeakers

The GNEx audible devices are mounted to the plate via the product bracket. The orientation of the devices can be adjusted vertically via the U bracket. Outline Drawing: D217-05-021

- Units: GNExS1, GNExS2, GNExL1 & GNExL2
- Horn: Flare or Radial (only flare horn version depicted below)
- Point of Fixture: U-Bracket
- Fixtures: M6 Socket Head Screws, M6 Spring Washer, M6 Plain Washer & M6 Nut
- Entries Location: Top or Bottom



SP65-0001-A2 Pole Mount Bracket Assembly Pack A2(304) ST/ST  
 SP65-0001-A4 Pole Mount Bracket Assembly Pack A4(316) ST/ST  
 SP65-0001-MS Pole Mount Bracket Assembly Pack Mild Steel

SP65-0003-A2 Large Sun Shade Assembly Pack A2(304) ST/ST  
 SP65-0003-A4 Large Sun Shade Assembly Pack A4(316) ST/ST  
 SP65-0003-MS Large Sun Shade Assembly Pack Mild Steel



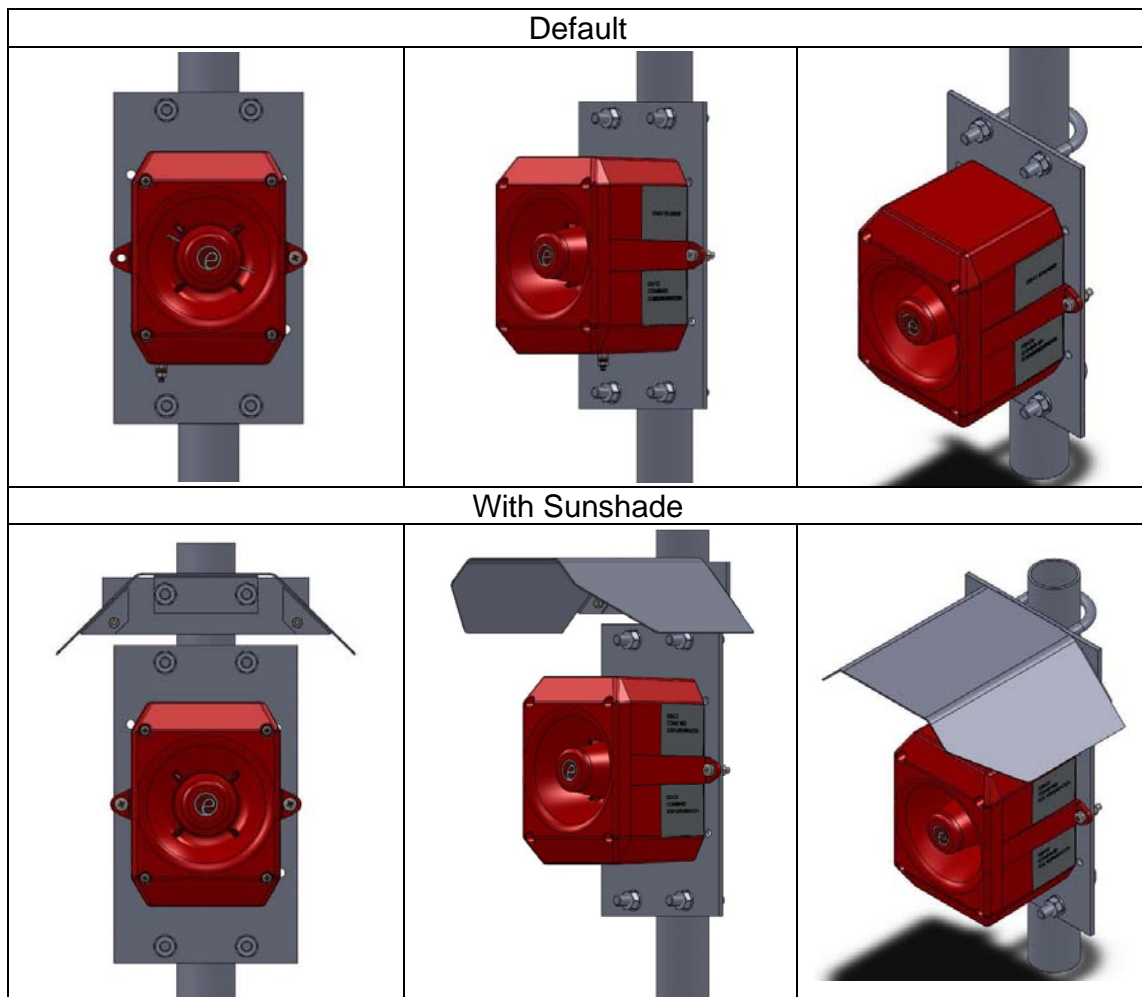
	<h1>Engineering Report ER0058</h1>	Issue: C
		Date: 15-06-18

## 7. D2x Sounders/Horns

The D2x Sounder is mounted flush to the plate.

Outline Drawing: D217-05-041

- Units: D2xS1
- Point of Fixture: Housing
- Fixtures: M6 Pozi Pan Head Screws, M6 Spring Washer, M6 Plain Washer & M6 Nut
- Entries Location: Bottom



SP65-0001-A2 Pole Mount Bracket Assembly Pack A2(304) ST/ST  
 SP65-0001-A4 Pole Mount Bracket Assembly Pack A4(316) ST/ST  
 SP65-0001-MS Pole Mount Bracket Assembly Pack Mild Steel

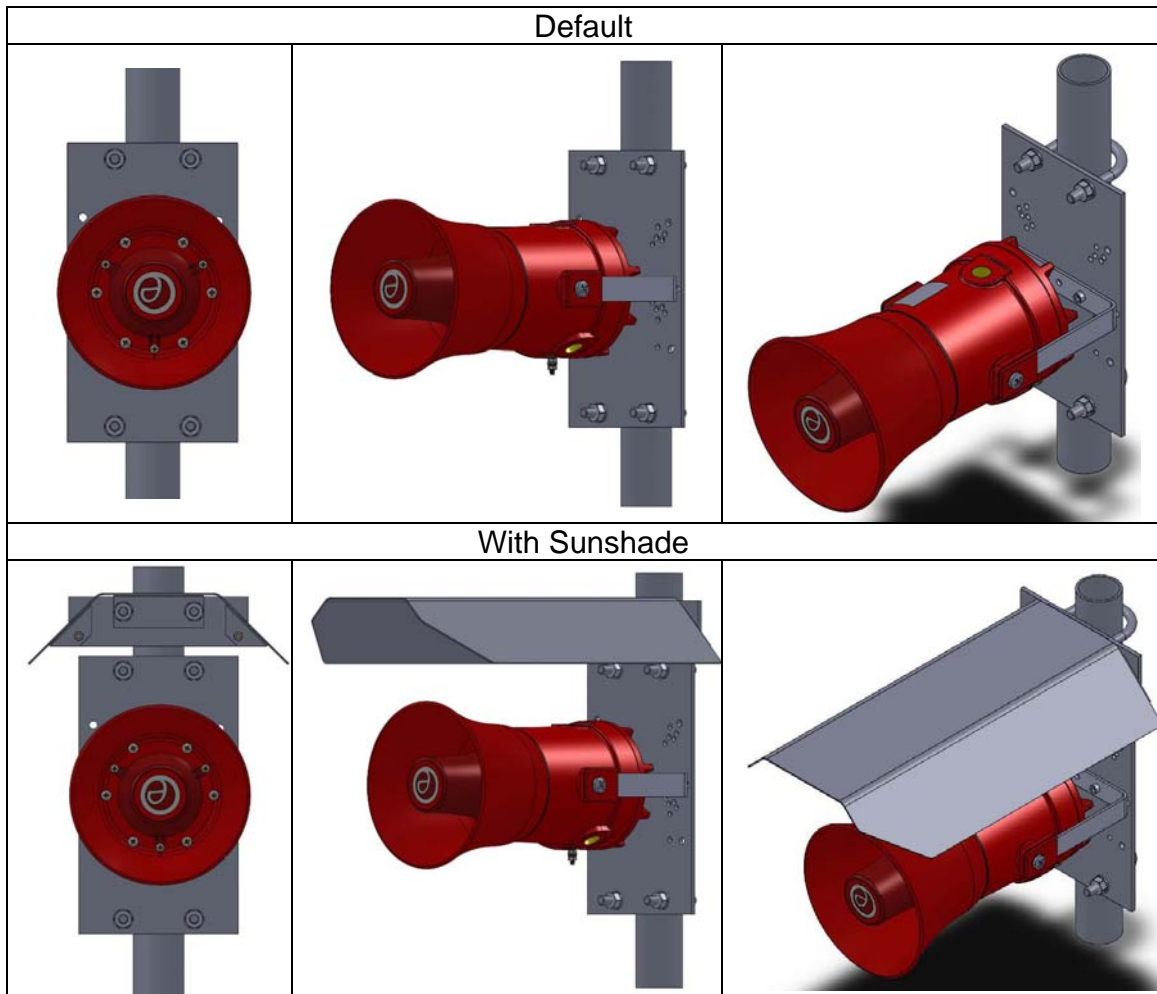
SP65-0002-A2 Small Sun Shade Assembly Pack A2(304) ST/ST  
 SP65-0002-A4 Small Sun Shade Assembly Pack A4(316) ST/ST  
 SP65-0002-MS Small Sun Shade Assembly Pack Mild Steel

	<h1>Engineering Report ER0058</h1>	Issue: C
		Date: 15-06-18

## 8. D1x Sounders/Horns/Loudspeakers

The D1x audible devices are mounted to the plate via the product bracket  
 The orientation of the devices can be adjusted vertically via the U bracket.  
 Outline Drawing: D217-05-061

- Units: D1xS1, D1xS2, D1xL1 & D1xL2
- Horn: Flare or Radial (only flare horn version depicted below)
- Point of Fixture: U-Bracket
- Fixtures: M6 Socket Head Screws, M6 Spring Washer, M6 Plain Washer & M6 Nut
- Entries Location: Top or Bottom



SP65-0001-A2 Pole Mount Bracket Assembly Pack A2(304) ST/ST  
 SP65-0001-A4 Pole Mount Bracket Assembly Pack A4(316) ST/ST  
 SP65-0001-MS Pole Mount Bracket Assembly Pack Mild Steel

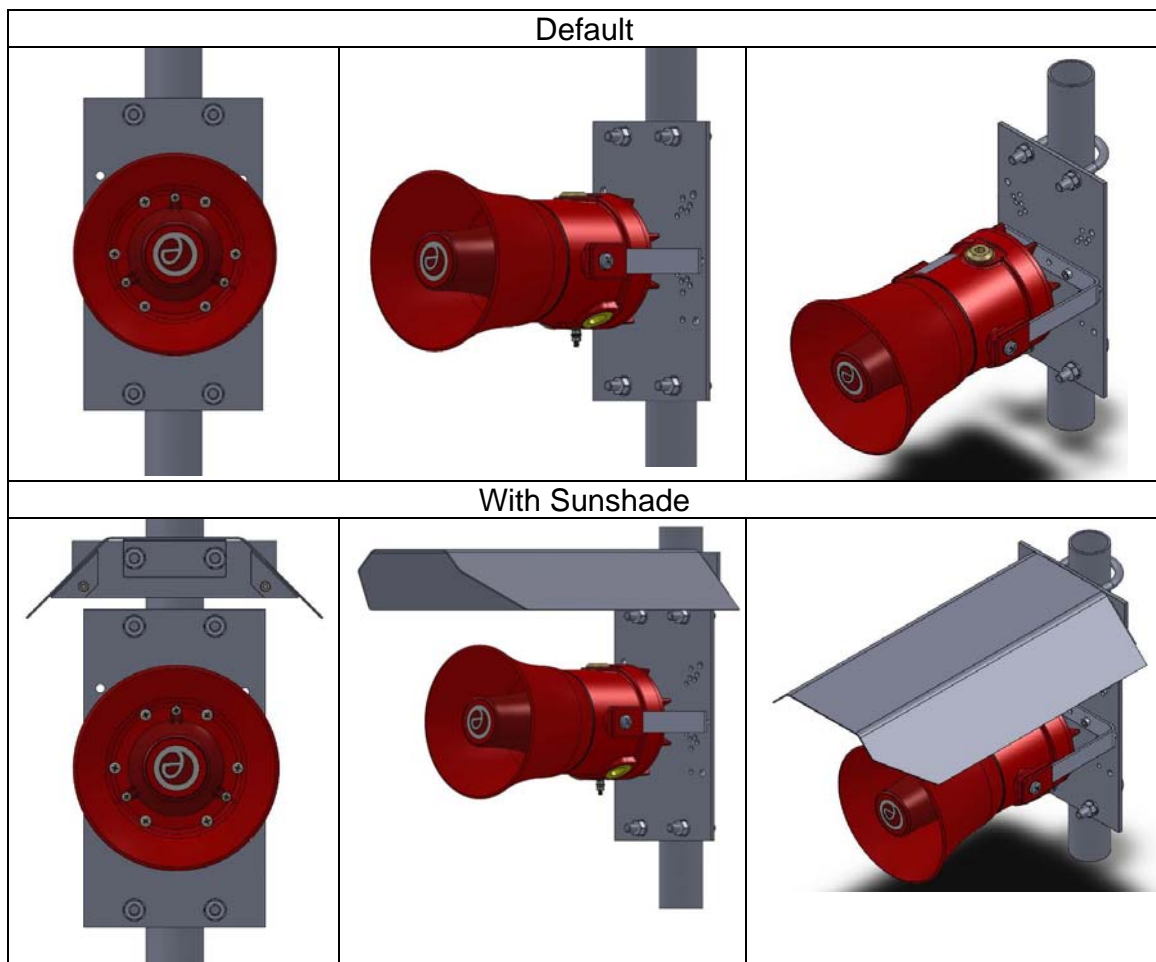
SP65-0003-A2 Large Sun Shade Assembly Pack A2(304) ST/ST  
 SP65-0003-A4 Large Sun Shade Assembly Pack A4(316) ST/ST  
 SP65-0003-MS Large Sun Shade Assembly Pack Mild Steel

	<h1>Engineering Report ER0058</h1>	Issue: C
		Date: 15-06-18

## 9. STEx Sounders/Horns/Loudspeakers

The STEx audible devices are mounted to the plate via the product bracket  
The orientation of the devices can be adjusted vertically via the U bracket.  
Outline Drawing: D217-05-081

- Units: STExS1, STExS2, STExL1 & STExL2
- Horn: Flare or Radial (only flare horn version depicted below)
- Point of Fixture: U-Bracket
- Fixtures: M6 Socket Head Screws, M6 Spring Washer, M6 Plain Washer & M6 Nut
- Entries Location: Top or Bottom



SP65-0001-A2 Pole Mount Bracket Assembly Pack A2(304) ST/ST  
SP65-0001-A4 Pole Mount Bracket Assembly Pack A4(316) ST/ST  
SP65-0001-MS Pole Mount Bracket Assembly Pack Mild Steel

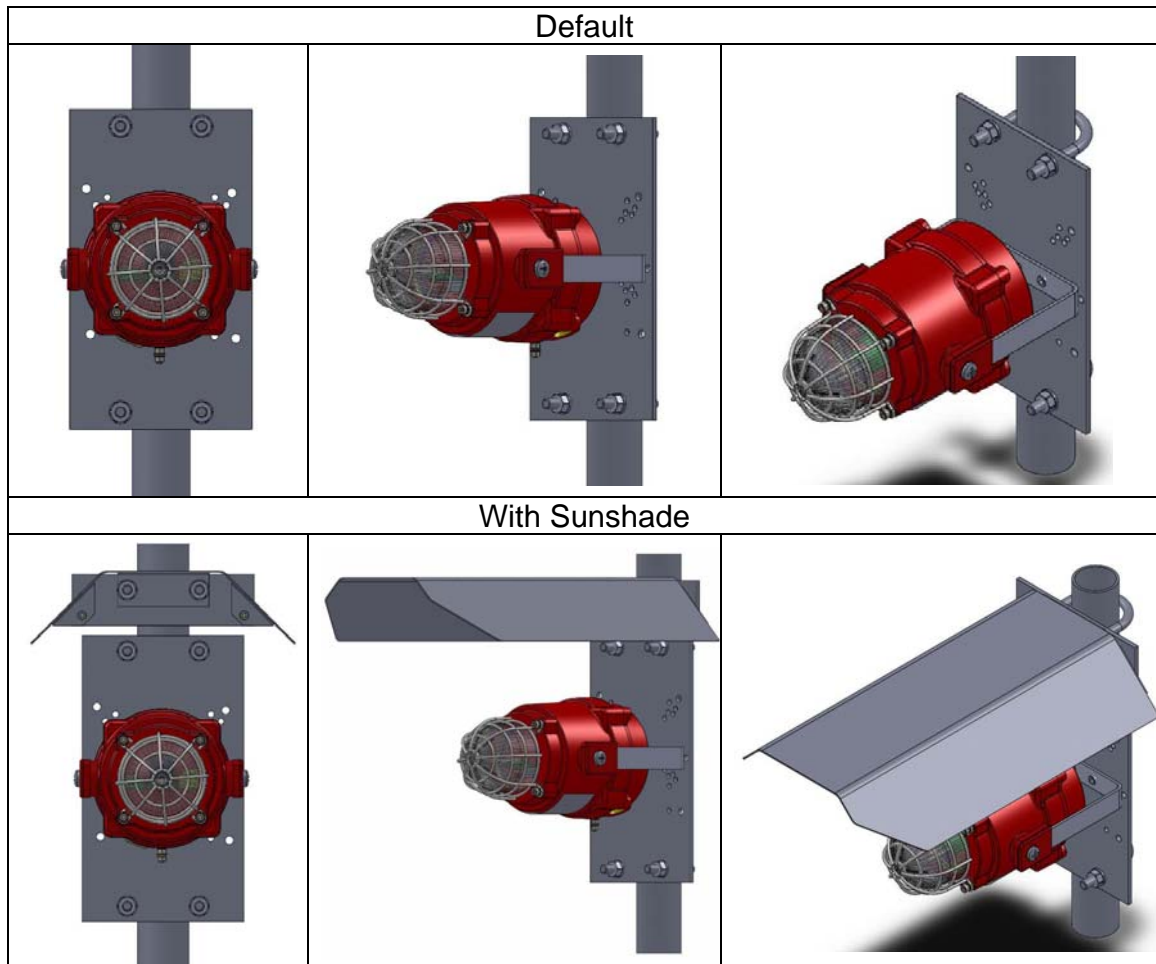
SP65-0003-A2 Large Sun Shade Assembly Pack A2(304) ST/ST  
SP65-0003-A4 Large Sun Shade Assembly Pack A4(316) ST/ST  
SP65-0003-MS Large Sun Shade Assembly Pack Mild Steel

	<h2>Engineering Report ER0058</h2>	Issue: C
		Date: 15-06-18

### 10. BEx Beacon

The BEx Beacons are mounted to the plate via the product bracket.  
The orientation of the beacons can be adjusted vertically via the U bracket.  
Outline Drawing: D217-05-201

- Units: BExBG05, BExBG10, BExBG15, BExBG21 & BExBGL2
- Point of Fixture: U-Bracket
- Fixtures: M6 Socket Head Screws, M6 Spring Washer, M6 Plain Washer & M6 Nut
- Entries Location: Top or Bottom



SP65-0001-A2 Pole Mount Bracket Assembly Pack A2(304) ST/ST  
 SP65-0001-A4 Pole Mount Bracket Assembly Pack A4(316) ST/ST  
 SP65-0001-MS Pole Mount Bracket Assembly Pack Mild Steel

SP65-0003-A2 Large Sun Shade Assembly Pack A2(304) ST/ST  
 SP65-0003-A4 Large Sun Shade Assembly Pack A4(316) ST/ST  
 SP65-0003-MS Large Sun Shade Assembly Pack Mild Steel

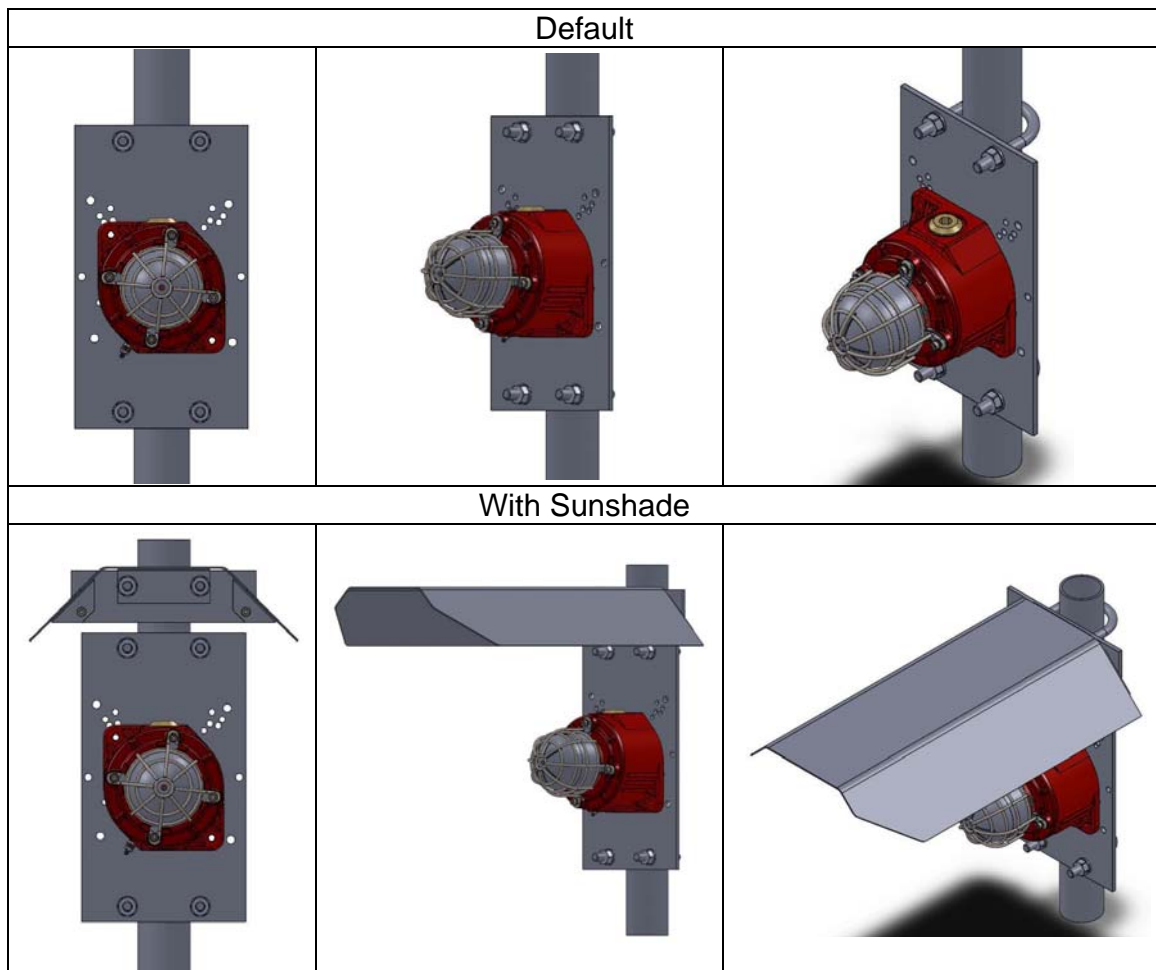
	<h2>Engineering Report ER0058</h2>	Issue: C
		Date: 15-06-18

### 11. GNExB1 Beacon

The GNExB1 Beacon is mounted flush to the plate.

Outline Drawing: D217-05-221

- Units: GNExB1X05
- Point of Fixture: Housing
- Fixtures: M6 Pozi Pan Head Screws, M6 Spring Washer, M6 Plain Washer & M6 Nut
- Entries Location: Top or Bottom



SP65-0001-A2 Pole Mount Bracket Assembly Pack A2(304) ST/ST  
 SP65-0001-A4 Pole Mount Bracket Assembly Pack A4(316) ST/ST  
 SP65-0001-MS Pole Mount Bracket Assembly Pack Mild Steel

SP65-0003-A2 Large Sun Shade Assembly Pack A2(304) ST/ST  
 SP65-0003-A4 Large Sun Shade Assembly Pack A4(316) ST/ST  
 SP65-0003-MS Large Sun Shade Assembly Pack Mild Steel

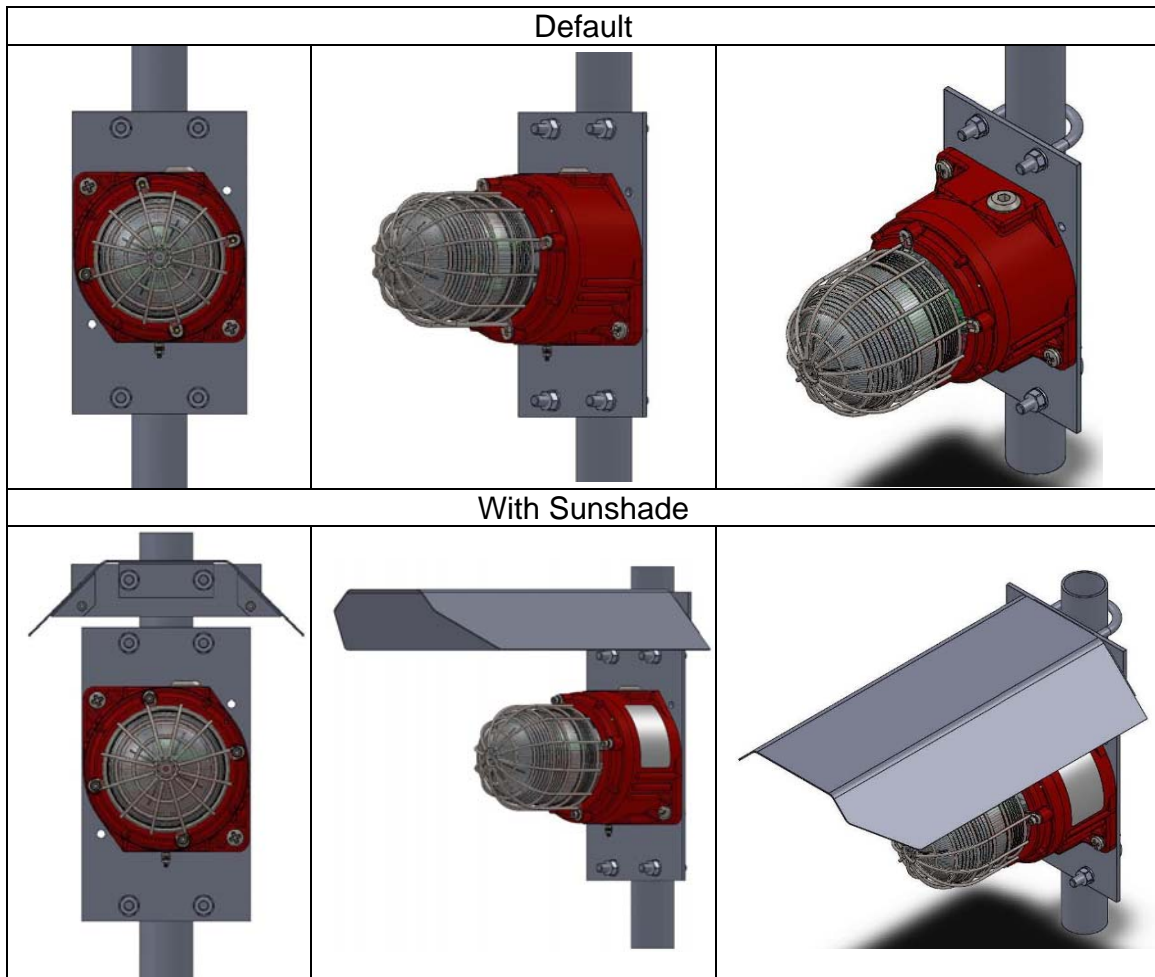
	<h1>Engineering Report ER0058</h1>	Issue: C
		Date: 15-06-18

## 12. GNExB2 Beacon

The GNExB2 Beacons are mounted flush to the plate.

Outline Drawing: D217-05-231

- Units: GNExB2X10, GNExB2X15, GNExB2X21, GNExB2LD2
- Point of Fixture: Housing
- Fixtures: M6 Pozi Pan Head Screws, M6 Spring Washer, M6 Plain Washer & M6 Nut
- Entries Location: Top or Bottom



SP65-0001-A2 Pole Mount Bracket Assembly Pack A2(304) ST/ST  
 SP65-0001-A4 Pole Mount Bracket Assembly Pack A4(316) ST/ST  
 SP65-0001-MS Pole Mount Bracket Assembly Pack Mild Steel

SP65-0003-A2 Large Sun Shade Assembly Pack A2(304) ST/ST  
 SP65-0003-A4 Large Sun Shade Assembly Pack A4(316) ST/ST  
 SP65-0003-MS Large Sun Shade Assembly Pack Mild Steel

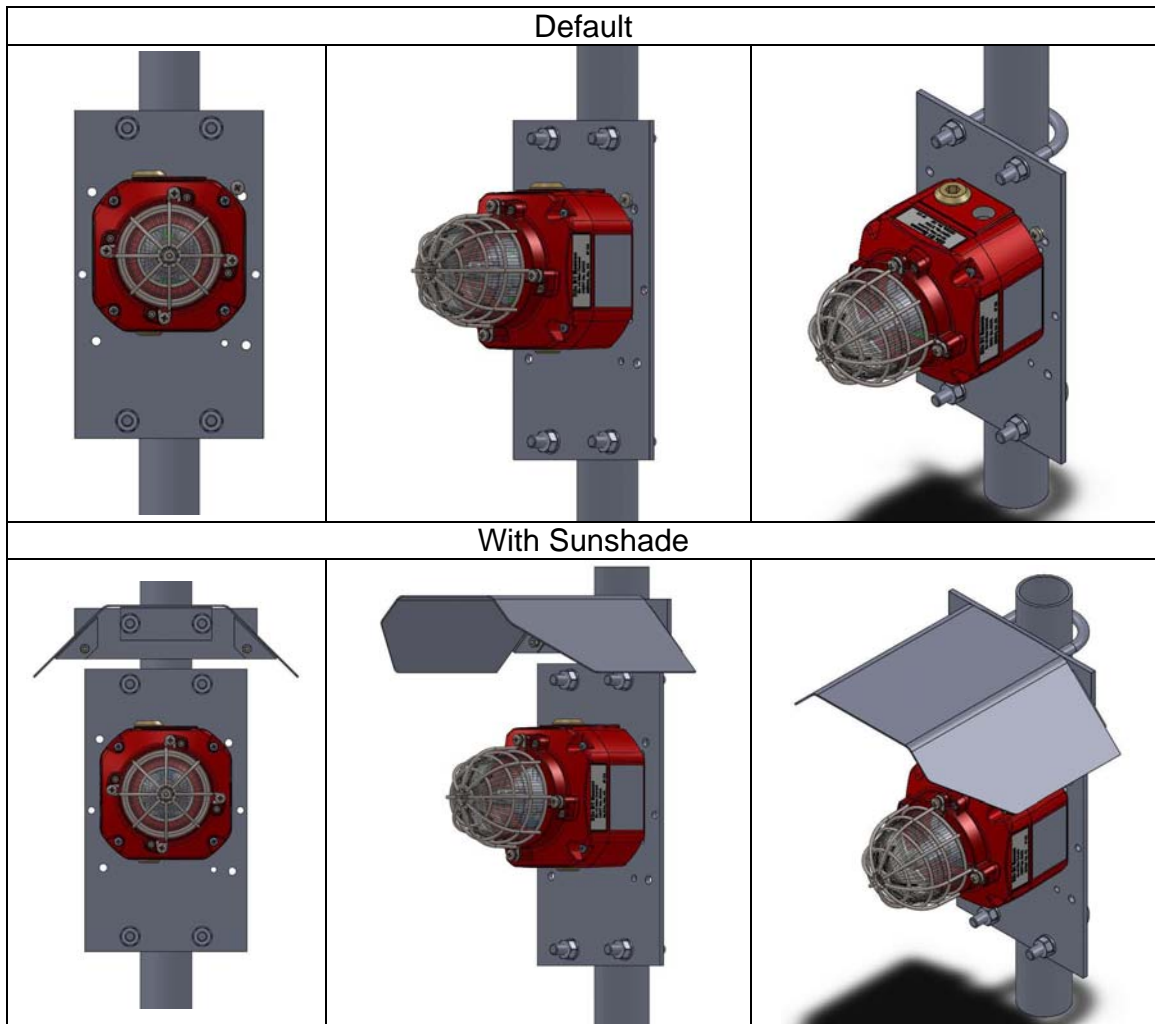
	<h2>Engineering Report ER0058</h2>	Issue: C
		Date: 15-06-18

### 13. D2xB1 Beacon

The D2xB1 Beacons are mounted flush to the plate.

Outline Drawing: D217-05-241

- Units: D2xB1X05, D2xB1X10, D2xB1LD2, D2xB1LD2-H, D2xB1XH1, D2xB1XH2
- Point of Fixture: Housing
- Fixtures: M6 Pozi Pan Head Screws, M6 Spring Washer, M6 Plain Washer & M6 Nut
- Entries Location: Top or Bottom



SP65-0001-A2 Pole Mount Bracket Assembly Pack A2(304) ST/ST  
 SP65-0001-A4 Pole Mount Bracket Assembly Pack A4(316) ST/ST  
 SP65-0001-MS Pole Mount Bracket Assembly Pack Mild Steel

SP65-0002-A2 Small Sun Shade Assembly Pack A2(304) ST/ST  
 SP65-0002-A4 Small Sun Shade Assembly Pack A4(316) ST/ST  
 SP65-0002-MS Small Sun Shade Assembly Pack Mild Steel

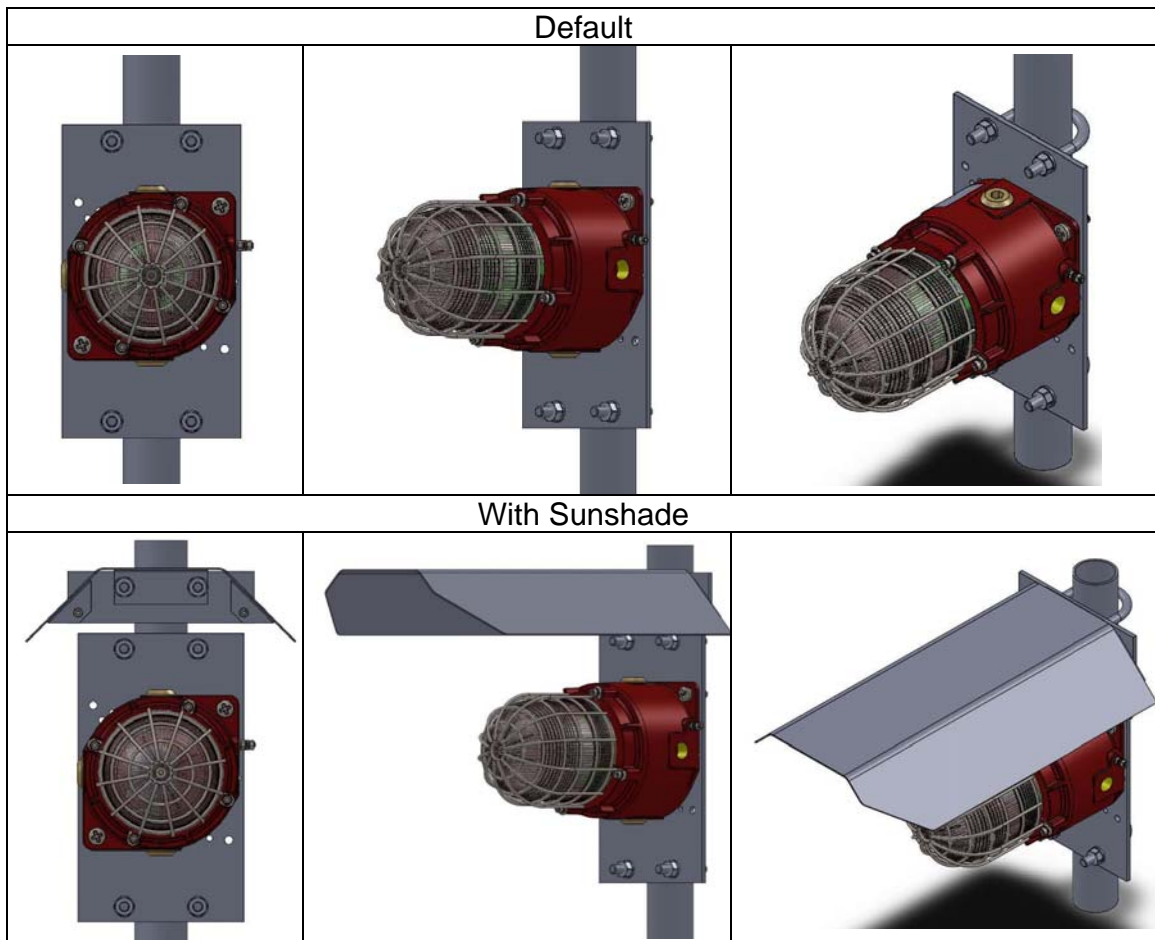
	<h1>Engineering Report ER0058</h1>	Issue: C
		Date: 15-06-18

## 14. STExB2 Beacon

The STExB2 Beacons are mounted flush to the plate.

Outline Drawing: D217-05-281

- Units: STExB2X10, STExB2X15, STExB2X21, STExB2LD2, STExB2RT1
- Point of Fixture: Enclosure
- Fixtures: M6 Pozi Pan Head Screws, M6 Spring Washer, M6 Plain Washer & M6 Nut
- Entries Location: Top or Bottom or Left or Right



SP65-0001-A2 Pole Mount Bracket Assembly Pack A2(304) ST/ST  
 SP65-0001-A4 Pole Mount Bracket Assembly Pack A4(316) ST/ST  
 SP65-0001-MS Pole Mount Bracket Assembly Pack Mild Steel

SP65-0003-A2 Large Sun Shade Assembly Pack A2(304) ST/ST  
 SP65-0003-A4 Large Sun Shade Assembly Pack A4(316) ST/ST  
 SP65-0003-MS Large Sun Shade Assembly Pack Mild Steel



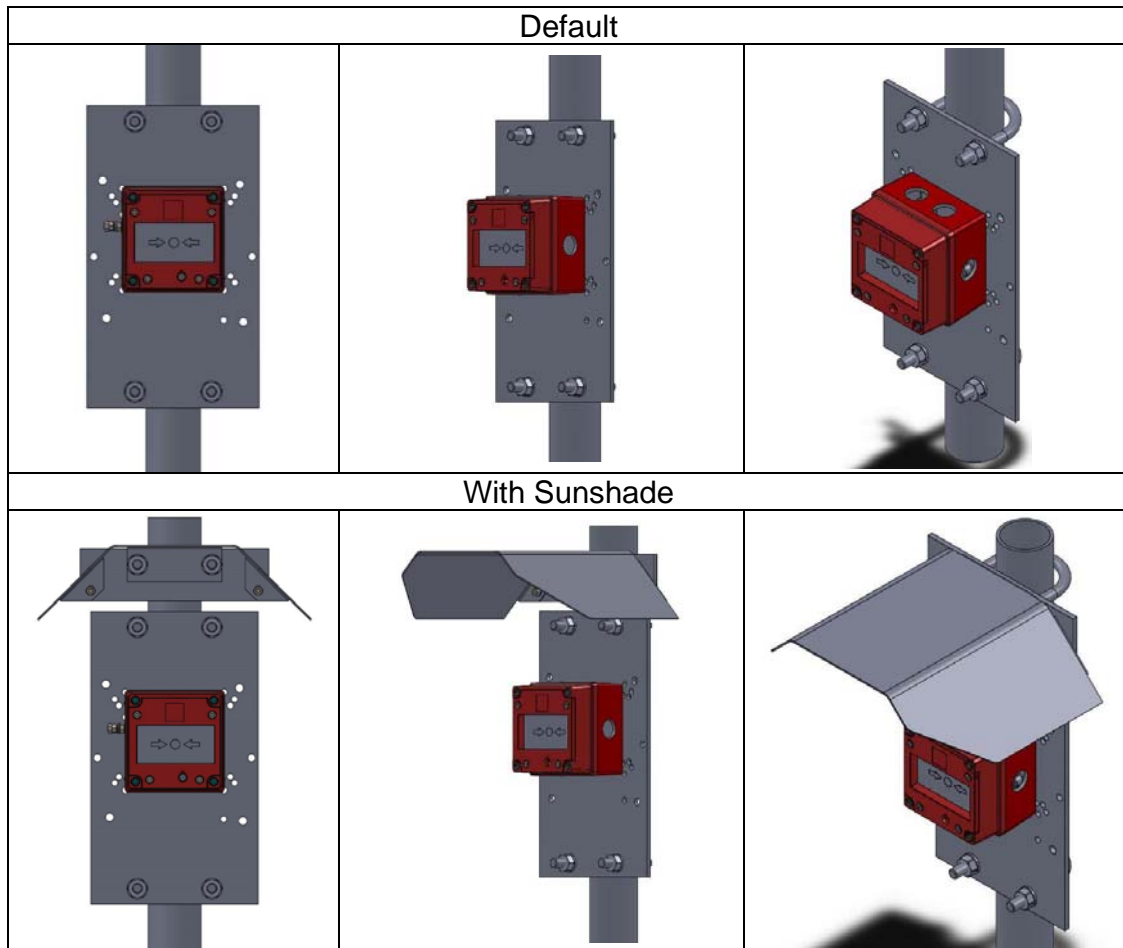
	<h2>Engineering Report ER0058</h2>	Issue: C
		Date: 15-06-18

### 15. BExCP3 Manual Call Points

The BExCP3 Manual Call Points are mounted flush to the plate.

Outline Drawing: D217-05-301

- Units: BExCP3A-BG, BExCP3B-BG, BExCP3C-BG, BExCP3A-PB, BExCP3B-PB, BExCP3C-PB
- Point of Fixture: Enclosure
- Fixtures: M5 Pozi Pan Head Screws, M5 Spring Washer, M5 Plain Washer & M5 Nut
- Entries Location: Top or Bottom or Side



SP65-0001-A2 Pole Mount Bracket Assembly Pack A2(304) ST/ST  
 SP65-0001-A4 Pole Mount Bracket Assembly Pack A4(316) ST/ST  
 SP65-0001-MS Pole Mount Bracket Assembly Pack Mild Steel

SP65-0002-A2 Small Sun Shade Assembly Pack A2(304) ST/ST  
 SP65-0002-A4 Small Sun Shade Assembly Pack A4(316) ST/ST  
 SP65-0002-MS Small Sun Shade Assembly Pack Mild Steel

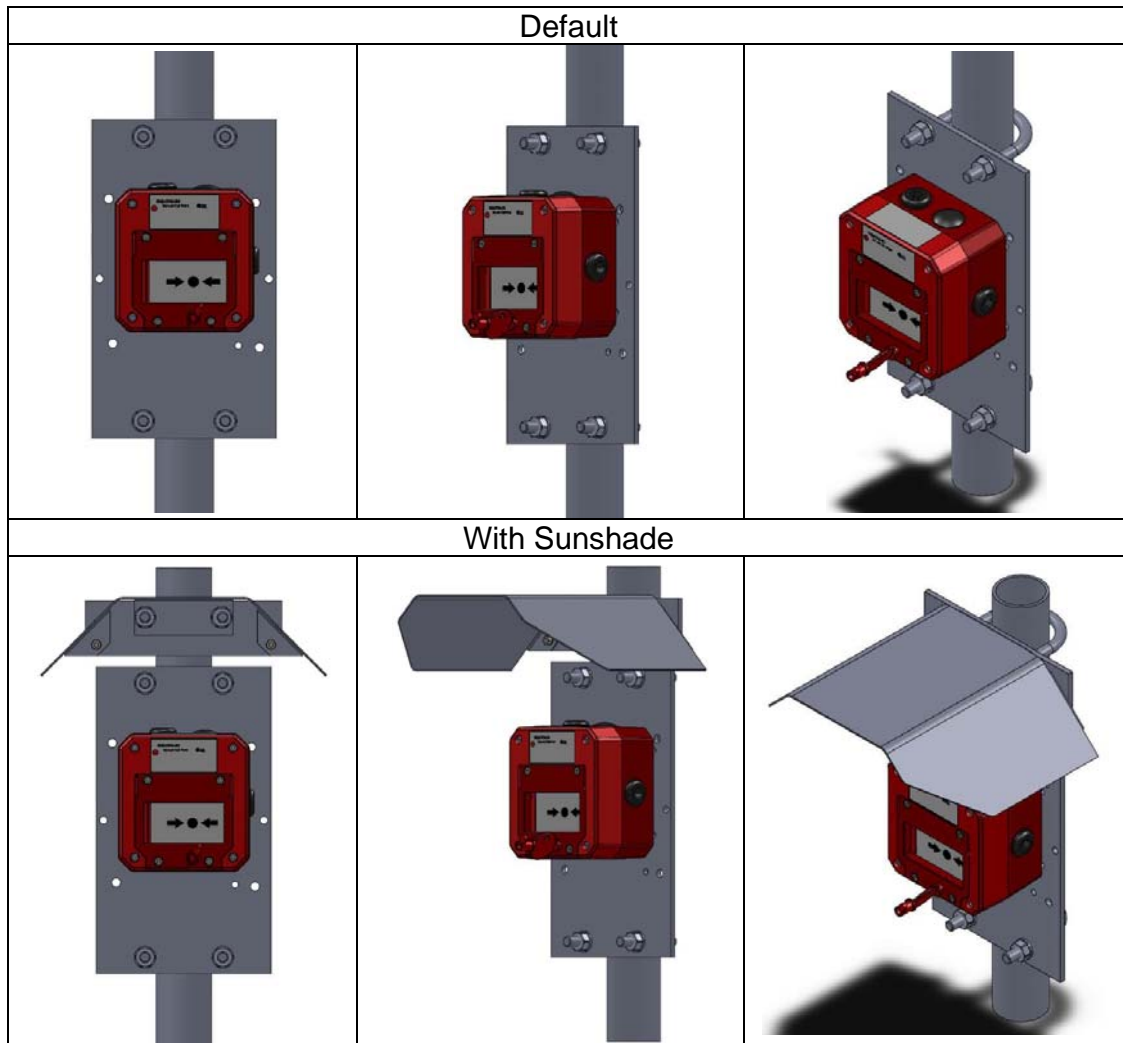
	<h2>Engineering Report ER0058</h2>	Issue: C
		Date: 15-06-18

### 16. GNExCP6 Manual Call Points

The GNExCP6 Manual Call Points are mounted flush to the plate.

Outline Drawing: D217-05-321

- Units: GNExCP6A-BG, GNExCP6B-BG, GNExCP6C-BG, GNExCP6A-PB, GNExCP6B-PB, GNExCP6C-PB
- Point of Fixture: Enclosure
- Fixtures: M5 Pozi Pan Head Screws, M5 Spring Washer, M5 Plain Washer & M5 Nut
- Entries Location: Top or Bottom or Side



SP65-0001-A2 Pole Mount Bracket Assembly Pack A2(304) ST/ST  
 SP65-0001-A4 Pole Mount Bracket Assembly Pack A4(316) ST/ST  
 SP65-0001-MS Pole Mount Bracket Assembly Pack Mild Steel

SP65-0002-A2 Small Sun Shade Assembly Pack A2(304) ST/ST  
 SP65-0002-A4 Small Sun Shade Assembly Pack A4(316) ST/ST  
 SP65-0002-MS Small Sun Shade Assembly Pack Mild Steel

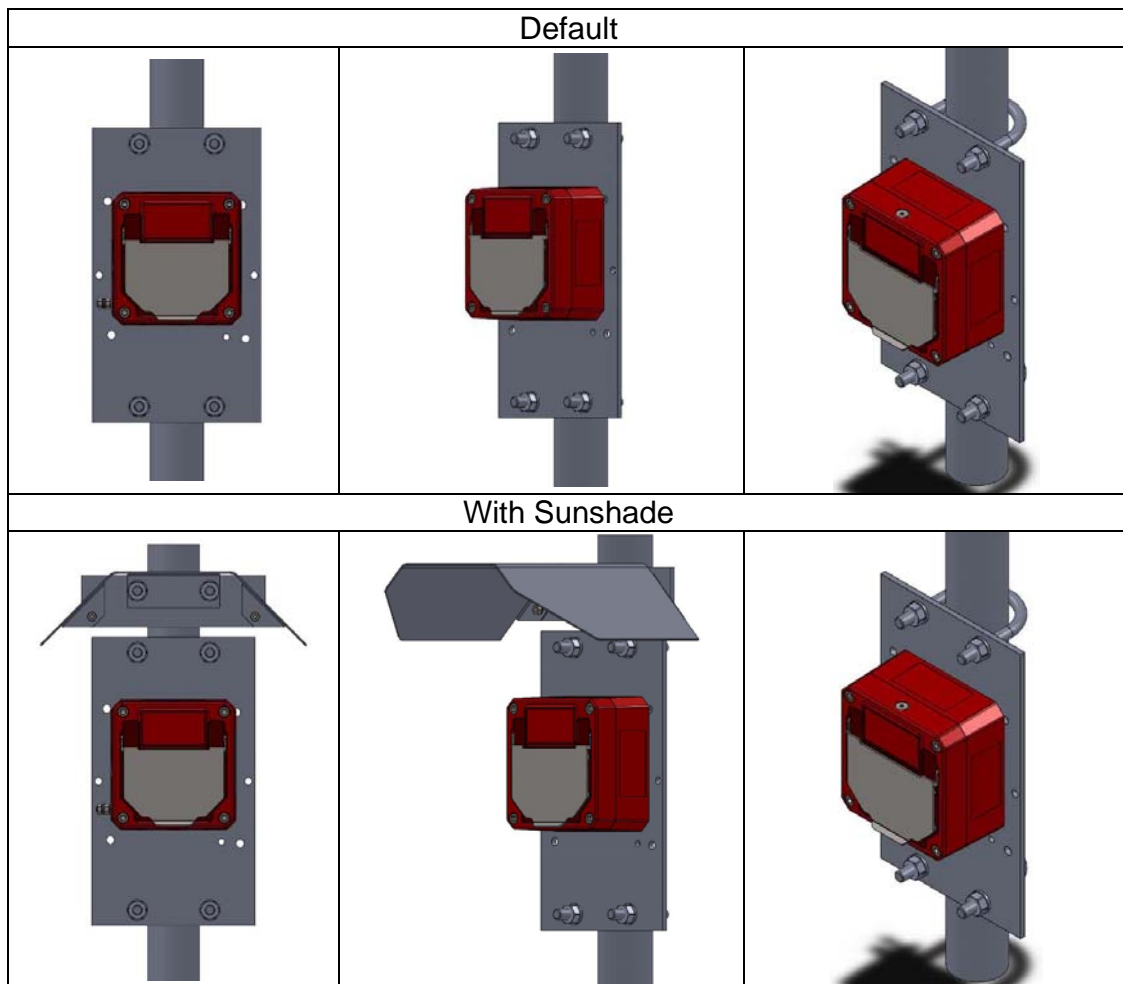
	<h2>Engineering Report ER0058</h2>	Issue: C
		Date: 15-06-18

### 17. STExCP8 Manual Call Points

The STExCP8 Call Manual Points are mounted flush to the plate.

Outline Drawing: D217-05-341

- Units: STExCP8-BG, STExCP8-PM, STExCP8-PB, STExCP8-PT
- Point of Fixture: Enclosure
- Fixtures: M5 Pozi Pan Head Screws, M5 Spring Washer, M5 Plain Washer & M5 Nut
- Entries Location: Top or Bottom or Side



SP65-0001-A2 Pole Mount Bracket Assembly Pack A2(304) ST/ST  
 SP65-0001-A4 Pole Mount Bracket Assembly Pack A4(316) ST/ST  
 SP65-0001-MS Pole Mount Bracket Assembly Pack Mild Steel

SP65-0002-A2 Small Sun Shade Assembly Pack A2(304) ST/ST  
 SP65-0002-A4 Small Sun Shade Assembly Pack A4(316) ST/ST  
 SP65-0002-MS Small Sun Shade Assembly Pack Mild Steel

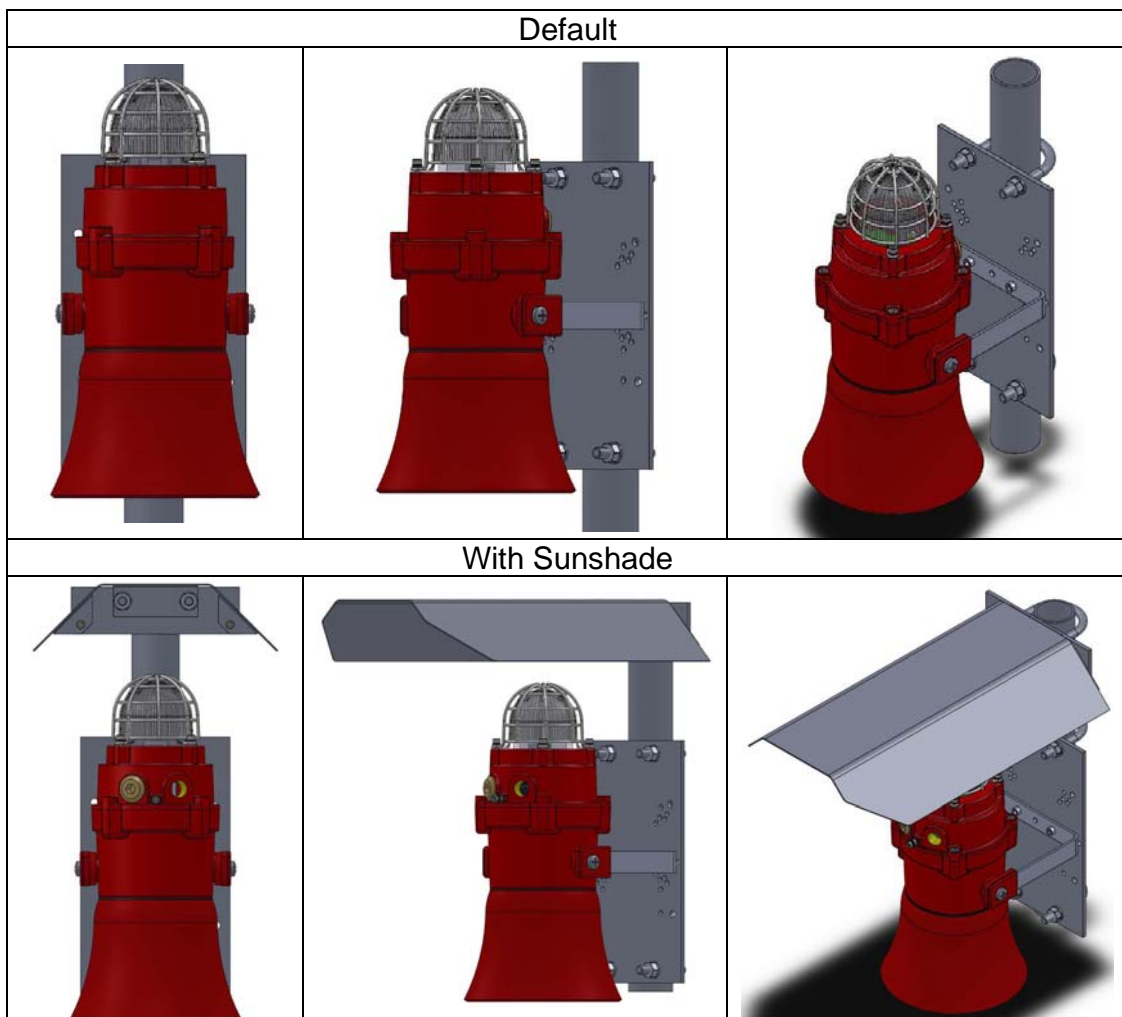
	<h1>Engineering Report ER0058</h1>	Issue: C
		Date: 15-06-18

## 18. BEx Combined Audible & Visual Signals

The BEx Combined signals are mounted to the plate via the product bracket. The orientation of the devices can be adjusted vertically via the U bracket.

Outline Drawing: D217-05-601

- Units: BExCS110-05, BExCS110-L2
- Horn: Flare or Radial (only flare version depicted below)
- Point of Fixture: U-Bracket
- Fixtures: M6 Socket Head Screws, M6 Spring Washer, M6 Plain Washer & M6 Nut
- Entries Location: Back or Front



SP65-0001-A2 Pole Mount Bracket Assembly Pack A2(304) ST/ST  
 SP65-0001-A4 Pole Mount Bracket Assembly Pack A4(316) ST/ST  
 SP65-0001-MS Pole Mount Bracket Assembly Pack Mild Steel

SP65-0003-A2 Large Sun Shade Assembly Pack A2(304) ST/ST  
 SP65-0003-A4 Large Sun Shade Assembly Pack A4(316) ST/ST  
 SP65-0003-MS Large Sun Shade Assembly Pack Mild Steel

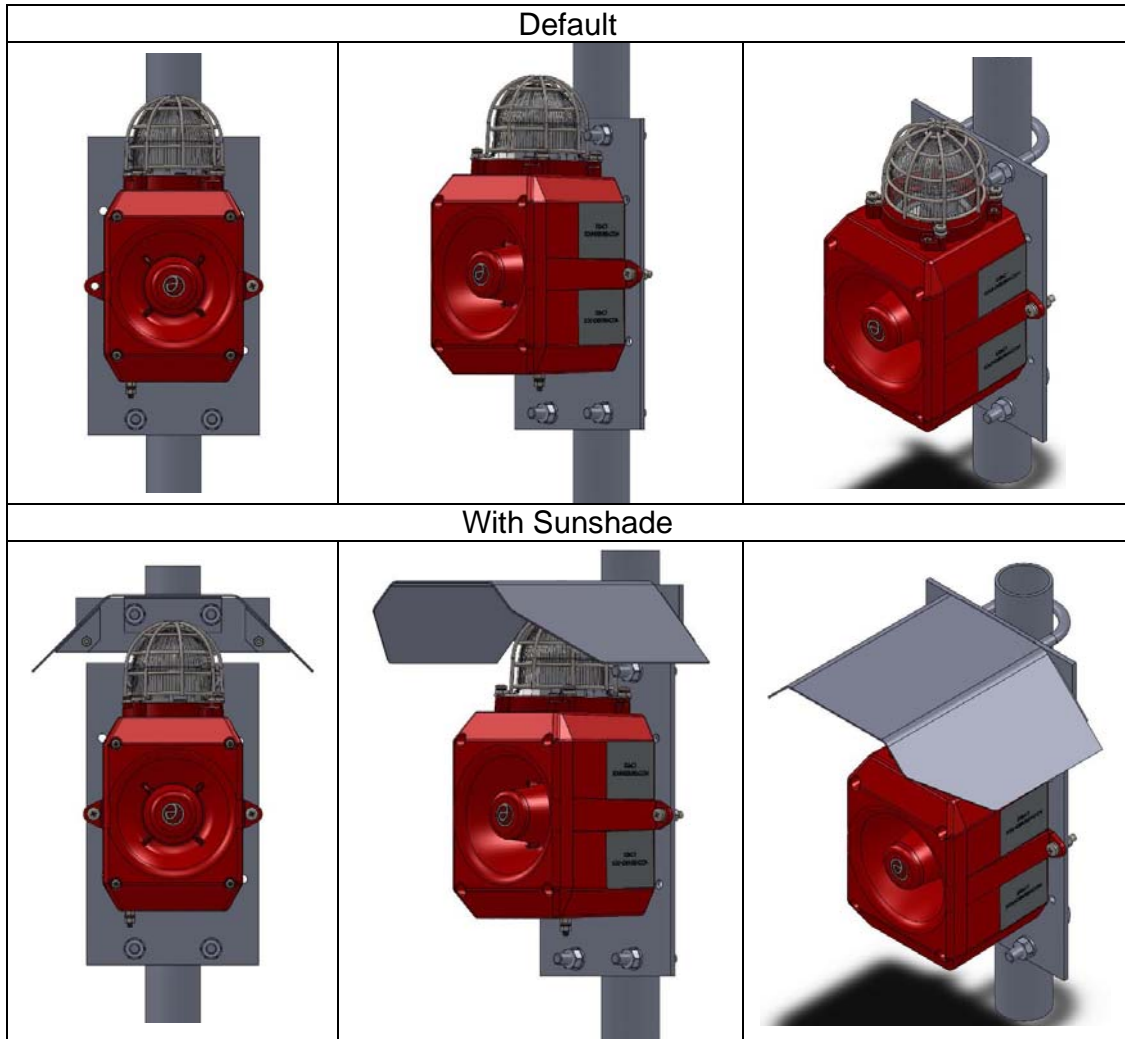
	<h1>Engineering Report ER0058</h1>	Issue: C
		Date: 15-06-18

## 19. D2x Combined Audible & Visual Signals

The D2x Combined Beacon and Sounder are mounted flush to the plate. The beacon may be orientated upward or downward.

Outline Drawing: D217-05-641

- Units: D2xC1X05, D2xC1X10
- Point of Fixture: Enclosure
- Fixtures: M6 Pozi Pan Head Screws, M6 Spring Washer, M6 Plain Washer & M6 Nut
- Entries Location: Top or Bottom



SP65-0001-A2 Pole Mount Bracket Assembly Pack A2(304) ST/ST  
 SP65-0001-A4 Pole Mount Bracket Assembly Pack A4(316) ST/ST  
 SP65-0001-MS Pole Mount Bracket Assembly Pack Mild Steel

SP65-0002-A2 Small Sun Shade Assembly Pack A2(304) ST/ST  
 SP65-0002-A4 Small Sun Shade Assembly Pack A4(316) ST/ST  
 SP65-0002-MS Small Sun Shade Assembly Pack Mild Steel

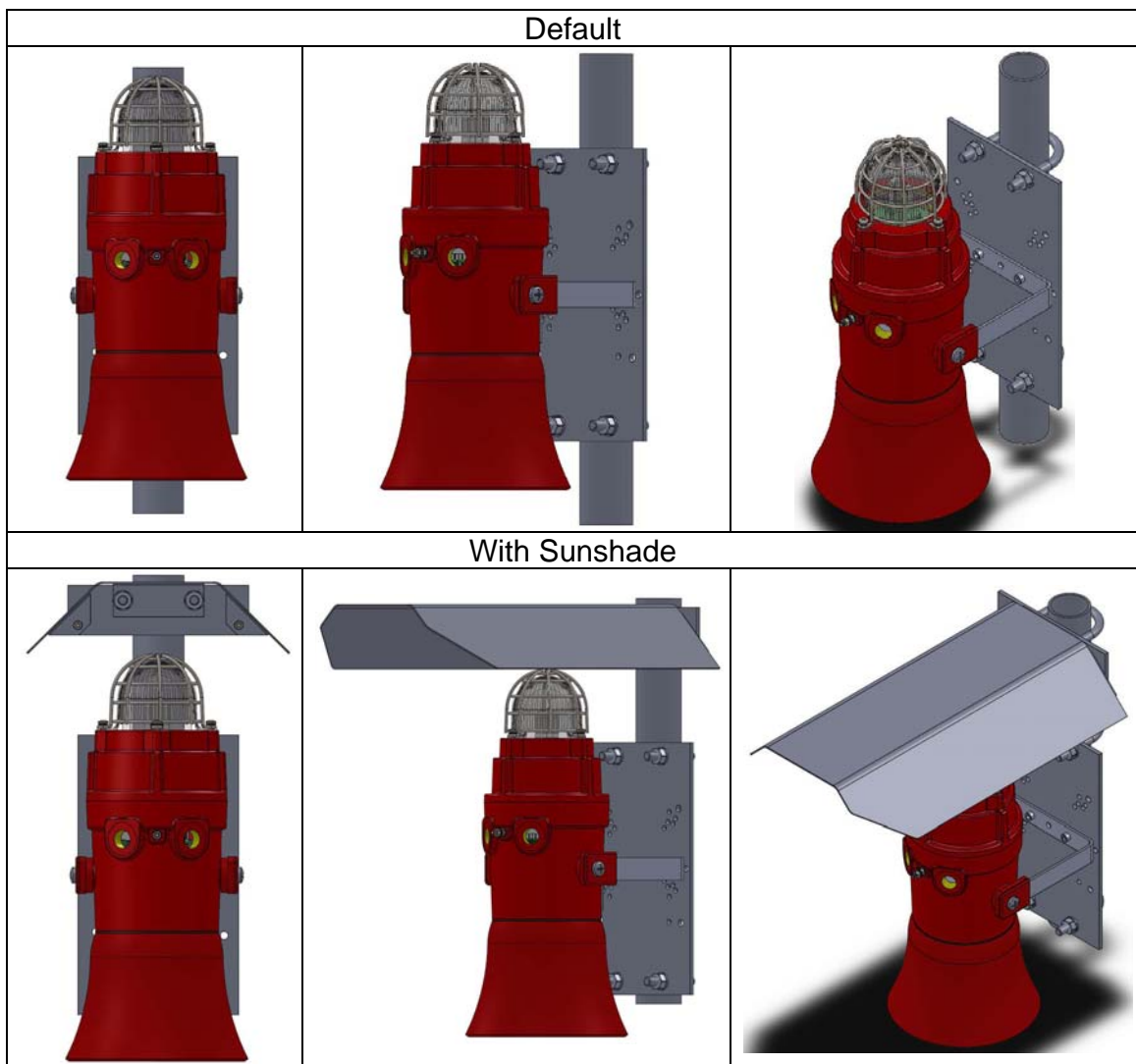
	<h2>Engineering Report ER0058</h2>	Issue: C
		Date: 15-06-18

### 20. D1x Combined Audible & Visual Signals

The D1x Combined are mounted to the plate via the product bracket  
 The orientation of the devices can be adjusted vertically via the U bracket.

Outline Drawing: D217-05-661

- Units: D1xC1X05, D1xC1X10, D1xC2X05, D1xC2X10
- Horn: Flare or Radial (only flare horn version depicted below)
- Point of Fixture: U-Bracket
- Fixtures: M6 Socket Head Screws, M6 Spring Washer, M6 Plain Washer & M6 Nut
- Entries Location: Back or Front



SP65-0001-A2 Pole Mount Bracket Assembly Pack A2(304) ST/ST  
 SP65-0001-A4 Pole Mount Bracket Assembly Pack A4(316) ST/ST  
 SP65-0001-MS Pole Mount Bracket Assembly Pack Mild Steel

SP65-0003-A2 Large Sun Shade Assembly Pack A2(304) ST/ST  
 SP65-0003-A4 Large Sun Shade Assembly Pack A4(316) ST/ST  
 SP65-0003-MS Large Sun Shade Assembly Pack Mild Steel

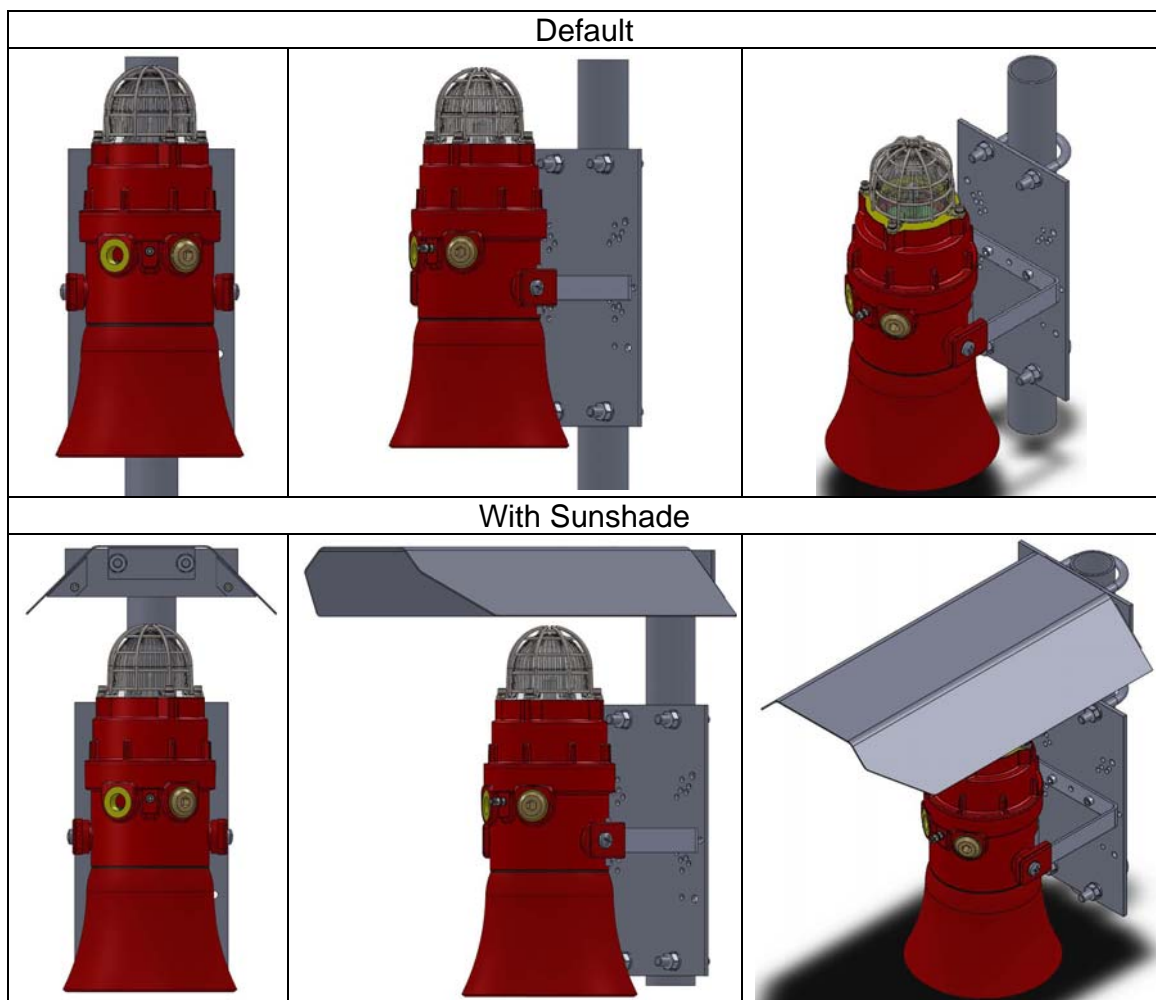
	<h1>Engineering Report ER0058</h1>	Issue: C
		Date: 15-06-18

## 21. STEx Combined Audible & Visual Signals

The STEx Combined signals are mounted to the plate via the product bracket. The orientation of the devices can be adjusted vertically via the U bracket.

Outline Drawing: D217-05-681

- Units: STExC1X05
- Horn: Flare or Radial (only flare horn version depicted below)
- Point of Fixture: U-Bracket
- Fixtures: M6 Socket Head Screws, M6 Spring Washer, M6 Plain Washer & M6 Nut
- Entries Location: Back or Front



SP65-0001-A2 Pole Mount Bracket Assembly Pack A2(304) ST/ST  
 SP65-0001-A4 Pole Mount Bracket Assembly Pack A4(316) ST/ST  
 SP65-0001-MS Pole Mount Bracket Assembly Pack Mild Steel

SP65-0003-A2 Large Sun Shade Assembly Pack A2(304) ST/ST  
 SP65-0003-A4 Large Sun Shade Assembly Pack A4(316) ST/ST  
 SP65-0003-MS Large Sun Shade Assembly Pack Mild Steel