



# Visual Signals - Industrial XENON BEACONS

## Industrial Xenon Beacons > X125 DIN Base Series

### Product overview

The X125 DIN base series are suitable for security, process control & generally light industrial signalling applications.

These beacons are of the Flashing mode type (single stage alarm) Xenon beacons (sometimes called strobes) are controlled via a PCB and put out a very brief but bright flash of white

light by ionizing and then discharging a large current through the xenon gas. The design allows for termination inside the enclosure via an M12 sealing grommet in the base.

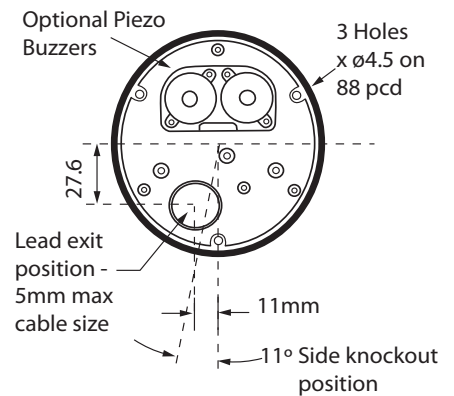
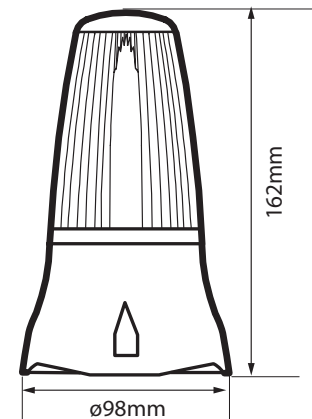
## X125 DIN Base Series > Ordering Information

Code No:	Voltage:	Light Source:	Current:
X125-64	10-100v Dc --- 20-72v Ac ~	Xenon 2.0 J	130 mA •
X125-62	115v Ac ~	Xenon 2.3 J	30 mA

• at 24v Dc ---

•• With both audible & visual signals operating at the same time

ADD THE FOLLOWING LENS CODES TO THE PRODUCT WHEN ORDERING



### Features

- Continuously rated
- Suitable for surface or wall mounting
- Optional wall bracket & guard available - see accessory page
- 3 point fix
- 360° light output around the vertical axis
- 180° light output around the horizontal axis
- Dustproof and Weatherproof

### Material

UV Stable Polycarbonate Lens  
UV Stable ABS Plastic Base

**Kg** 0.25

50/60 Hz

°C -25+55

**IP** 65

**FPM** 60

**INDUSTRIAL**

APPROVALS and  
CONFORMITIES

