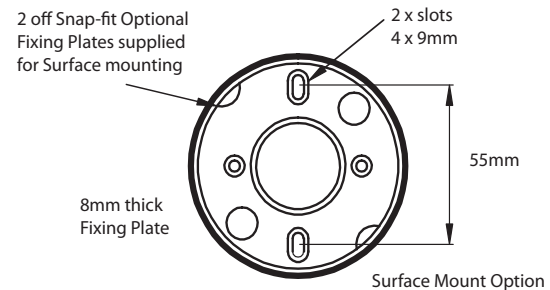
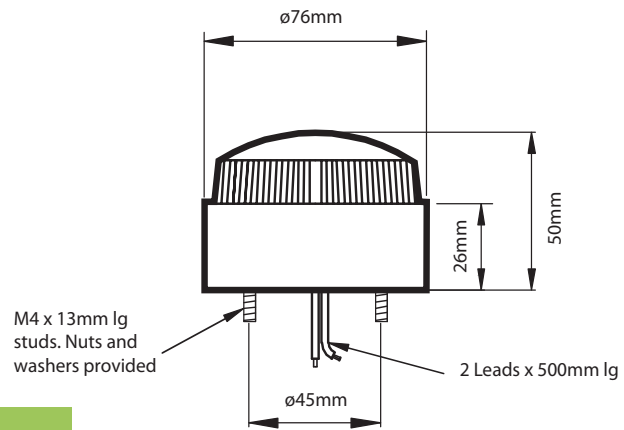


# Visual Signals - Industrial

## XENON BEACONS



## Industrial Xenon Beacons > X80 Series

### Product overview

The X80 is a flashing mode type of beacon (single stage alarm) suitable for a wide range of 'local' signalling applications where a low cost and energy efficient solution is required.

Xenon beacons (sometimes called strobes) are controlled via a PCB and put out a very brief but bright flash of white light by ionizing and

then discharging a large current through the xenon gas.

The unit comes fully assembled and ready for installation and has two mounting options, stud mount or surface mount using a two piece fixing plate supplied. One plate is fixed to the appropriate surface the other to the beacon, the two plates then 'snap fit' together.

## X80 Series > Ordering Information

Code No:	Voltage:	Light Source:	Current:
X80-01	18-30v Dc ---	Xenon 1.0 J	40 mA •
X80-02	10-100v Dc --- 20-72v Ac ~	Xenon 2.0 J	110 mA •
X80-04	115-230v Ac ~	Xenon 2.0 J	100 / 50 mA

- Average running current at 24v Dc over a 60 second cycle

ADD THE FOLLOWING LENS CODES TO THE PRODUCT WHEN ORDERING

01 02

### Features

- Continuously rated
- Wide operating voltage
- 120° prime light output from vertical axis
- Dustproof and submersible in water

### Material

UV Stable Polycarbonate Lens  
UV Stable Polycarbonate Base

Kg 0.13

°C -20+55

IP 67

FPM 60/65

INDUSTRIAL

FIRE

APPROVALS and CONFORMITIES

