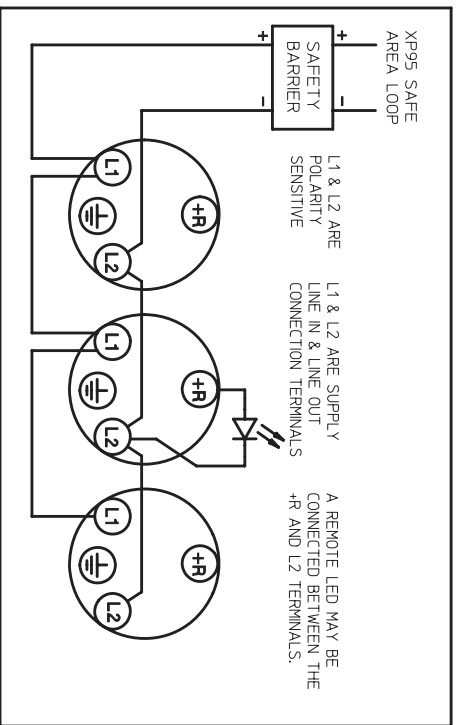




FIRE DETECTORS LIMITED

### XP95 INTRINSICALLY SAFE MOUNTING BASE PART No. 45681-215



Schematic Wiring Diagram of XP95 Detector Circuit

Earth Terminal is Provided for Easier Installation, It is Not Required by the Detector head and is not for use as a safety earth.

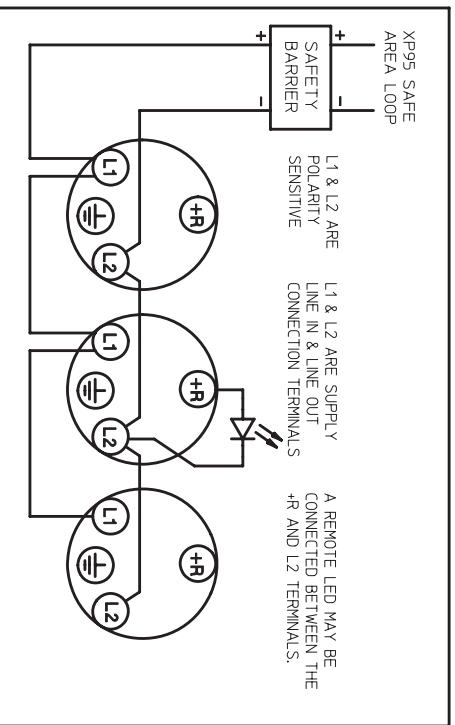
Refer To Apollo Engineering Product Guide For Full Technical Information

APOLLO FIRE DETECTORS LIMITED, 36 BROOKSIDE ROAD, HAVANT, P09 1JR, ENGLAND



FIRE DETECTORS LIMITED

### XP95 INTRINSICALLY SAFE MOUNTING BASE PART No. 45681-215



Schematic Wiring Diagram of XP95 Detector Circuit

Earth Terminal is Provided for Easier Installation, It is Not Required by the Detector head and is not for use as a safety earth.

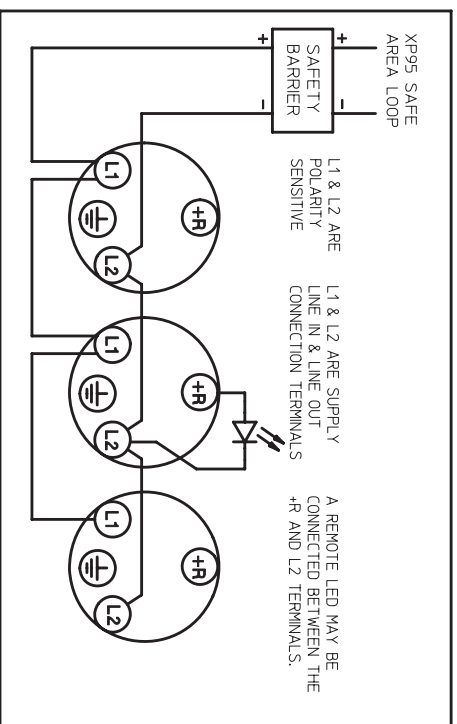
Refer To Apollo Engineering Product Guide For Full Technical Information

APOLLO FIRE DETECTORS LIMITED, 36 BROOKSIDE ROAD, HAVANT, P09 1JR, ENGLAND



FIRE DETECTORS LIMITED

### XP95 INTRINSICALLY SAFE MOUNTING BASE PART No. 45681-215



Schematic Wiring Diagram of XP95 Detector Circuit

Earth Terminal is Provided for Easier Installation, It is Not Required by the Detector head and is not for use as a safety earth.

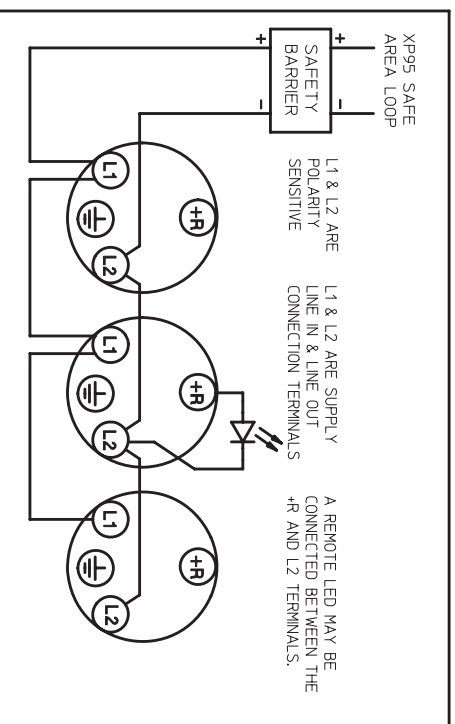
Refer To Apollo Engineering Product Guide For Full Technical Information

APOLLO FIRE DETECTORS LIMITED, 36 BROOKSIDE ROAD, HAVANT, P09 1JR, ENGLAND



FIRE DETECTORS LIMITED

### XP95 INTRINSICALLY SAFE MOUNTING BASE PART No. 45681-215



Schematic Wiring Diagram of XP95 Detector Circuit

Earth Terminal is Provided for Easier Installation, It is Not Required by the Detector head and is not for use as a safety earth.

Refer To Apollo Engineering Product Guide For Full Technical Information

APOLLO FIRE DETECTORS LIMITED, 36 BROOKSIDE ROAD, HAVANT, P09 1JR, ENGLAND