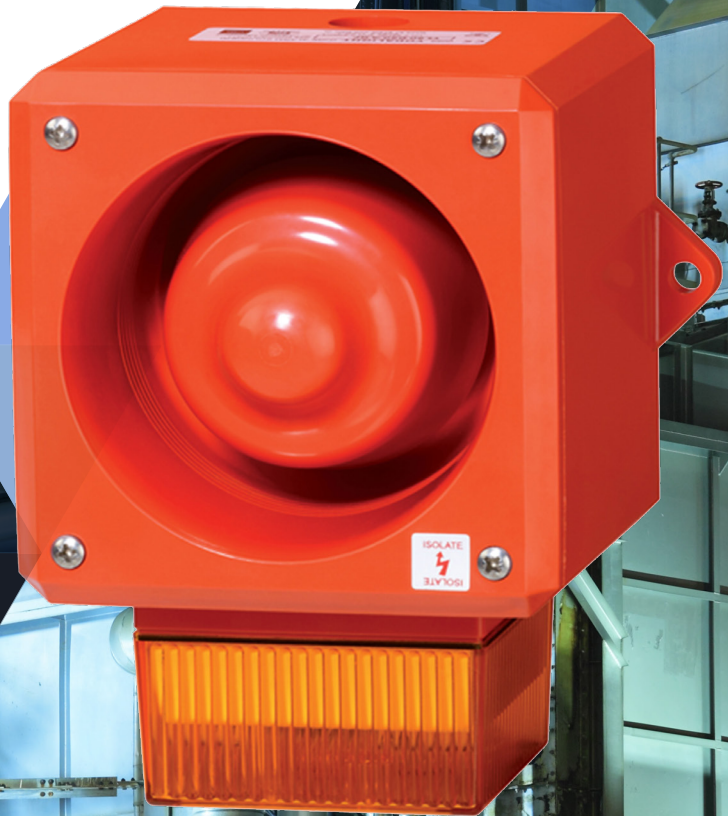




Clifford & Snell®

Yodalight® YL50

Multi-purpose Audible & Visual Signalling Device designed for use in Fire, Commercial, Industrial & Marine applications



PRODUCT FEATURES

- Max sound output 112 dB(A) @ 1m
- IP66 rated as standard
- Beacon options include:
 - 5 Joule Xenon Strobe
 - 2.5 Joule Xenon Strobe (on request)
- 32 selectable tones meeting international regulations
- Flame retardant ABS enclosure
- Stainless steel fixings
- 2 stage alarm
- Independently selectable second stage option
- Lens available in eight colours
- Low current consumption

Product Approvals

Marine Equipment Directive MED
Regulations EN 54-3:2014 incl. A1:2019
IEC 60092-504:2016 IEC 60533:2015
Module B (BSI/MED/3.53/756093)
Module D (BSI/MED/PC/756095)



BS EN 54-3 : 2001 + A1:2002 + A2:2006
Type B
0086-CPR-774029

Merchant Shipping (Marine Equipment)
Regulations EN 54-3:2014 incl. A1:2019,
IEC 60092-504:2016, IEC 60533:2015
Module B (BSI/UK/3.53/738807)
Module D (BSI/UK/PC/738808)



BS EN 54-3 : 2001 + A1:2002 + A2:2006
Type B
KM 713890



EN 54-3 : 2001 + A1:2002 + A2:2006
Type B
2797-CPR-713892



Compliant

UK +44 (0) 121 446 5322 FR +33 (0) 170 721 271

uksales@moflash.co.uk

exportsales@moflash.co.uk

KM-europ@moflash.com

www.moflash.com

Issue 4

TECHNICAL DATA

Electrical Data	
Operating Voltage	Current Draw
24vDC ---	350mA at Tone 1
48vDC ---	195 mA
115vAC ~	140 mA
230vAC ~	115 mA

Mechanical Data	
Enclosure Material	ABS FR UL94 5VB
Lens Material	PC FR UV Stable UL94 HB
External Fixings	Stainless Steel
Degree of Protection	IP66 (IEC60529)

Ambient Conditions	
Operating Temperatures	
Standard General	-35 °C to +70 °C
EN54 Pt:3 Fire	-25 °C to +55 °C
Storage Temperature	-40 °C to +70 °C
Max. Relative Humidity	93% ± 3 at 40 °C

Acoustic Data	
Maximum Volume Output	112dB (A)
Volume Control Adjustment	-18 dB (A)
2 Stage Alarm with predetermined second stage as standard.	
Selectable second stage option available (DC units only) (2)	

Mounting / Installation

Devices should be mounted to a suitable flat wall or bulkhead avoiding any undue vibration and using the two lugs projecting from the case. The lugs are bored 8mm on 153mm centres. The minimum length of fixing screw required is 25mm. To maintain the IP rating of the enclosure, the cable entries must be fitted with a suitably rated cable gland (included). Max cable termination 2.5mm².

Line integrity on DC systems

- For 3 wire 2 stage alarm system, monitor via reverse polarity.
- For 2 wire 2 stage alarm system, monitor via threshold, (applied voltage<1v) an end-of-line (E.O.L) resistor is required for line monitoring and should have a minimum resistance of 3k3 Ohms and 0.5 Watts, wire-wound or metal film type.

Standard Alarm Stage Options

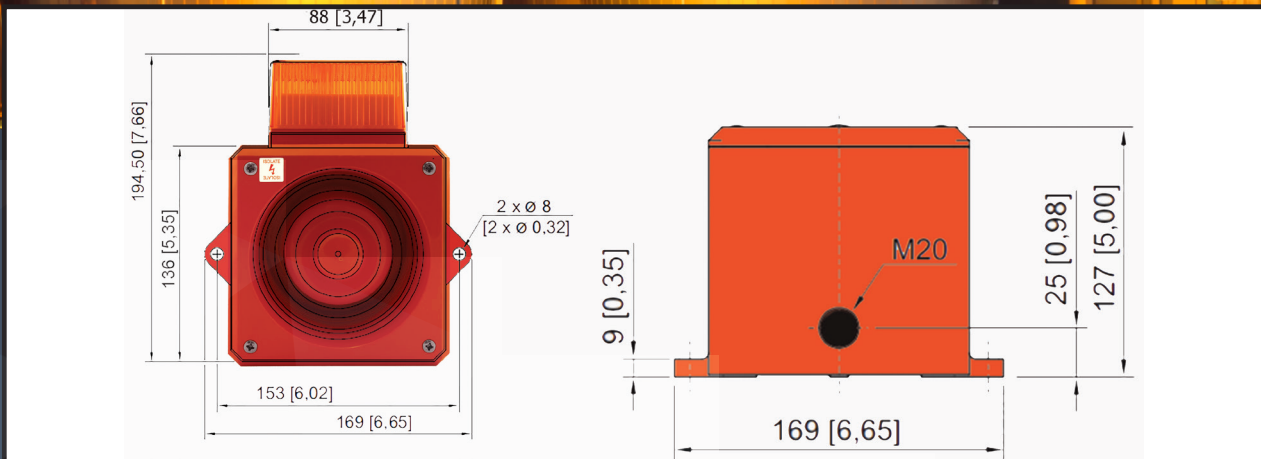
Standard units offer a 2 stage alarm system with a predetermined second stage (see Tone Table on the Installation Sheet for details). A selectable second stage option is available for DC units only with the (2) prefix code in the selection table on page 3.

Additional Stage Alarm Options

Units with up to 8 independently selectable stages are available in a range of input voltages. However, these units do not carry any 3rd party approvals. Contact our technical department for further information.

Dimensional Drawing

We reserve the right to make alterations to the technical data, dimensions, weights, designs and products available without notice. The illustrations cannot be considered binding. All Dimensions in mm [inches] - Subject to alterations



SELECTION

Version	Enclosure Colour	Flash Energy	Rated Operational Voltage	Lens Colour	Effective Candela (cd)	Order Number	Art. No.	Weight (kg)
YL50 Sounder/Xenon combination BS EN 54 Pt:3 UKCA, CE, EU MED & UK MER	Red Flame (RF) RAL 2002	5J	24vDC ---	Amber	25.52	YL50/D50/A/RF/WR	204815	1.010
				Red	8.92	YL50/D50/R/RF/WR	204835	1.010
				Green	29.70	YL50/D50/G/RF/WR	204825	1.010
				Opal	65.78	YL50/D50/O/RF/WR	212038	1.010
				Blue	14.09	YL50/D50/B/RF/WR	204821	1.010
				Clear	72.10	YL50/D50/C/RF/WR	204823	1.010
			24vDC --- Independently Selectable 2 nd Stage Version	Amber	25.52	YL50/D50/A/RF/WR(2)	245562	1.010
				Red	8.92	YL50/D50/R/RF/WR(2)	245561	1.010
				Green	29.70	YL50/D50/G/RF/WR(2)	245563	1.010
				Opal	65.78	YL50/D50/O/RF/WR(2)	245564	1.010
				Blue	14.09	YL50/D50/B/RF/WR(2)	245565	1.010
				Clear	72.10	YL50/D50/C/RF/WR(2)	245566	1.010
			48vDC ---	Amber	25.52	YL50/F50/A/RF/WR	240260	1.010
				Red	8.92	YL50/F50/R/RF/WR	204603	1.010
				Green	29.70	YL50/F50/G/RF/WR	224578	1.010
				Opal	65.78	YL50/F50/O/RF/WR	245567	1.010
				Blue	14.09	YL50/F50/B/RF/WR	221236	1.010
				Clear	72.10	YL50/F50/C/RF/WR	245568	1.010
			115vAC ~	Amber	25.52	YL50/L50/A/RF/WR	204609	1.090
				Red	8.92	YL50/L50/R/RF/WR	204619	1.090
				Green	29.70	YL50/L50/G/RF/WR	212039	1.090
				Opal	65.78	YL50/L50/O/RF/WR	212040	1.090
				Blue	14.09	YL50/L50/B/RF/WR	204613	1.090
				Clear	72.10	YL50/L50/C/RF/WR	212041	1.090
			230vAC ~	Amber	25.52	YL50/N50/A/RF/WR	204627	1.090
				Red	8.92	YL50/N50/R/RF/WR	204646	1.090
				Green	29.70	YL50/N50/G/RF/WR	212042	1.090
				Opal	65.78	YL50/N50/O/RF/WR	204639	1.090
				Blue	14.09	YL50/N50/B/RF/WR	204633	1.090
				Clear	72.10	YL50/N50/C/RF/WR	204635	1.090
Purple (Magenta) & Yellow Beacon Lenses available upon request.								
24vAC versions are available upon request								