

# B100STR Panel Mount Xenon Strobe Beacon

The B100 series is comprised of a Xenon strobe beacon, permanent filament bulb, blinking filament bulb and a permanent LED array beacon version.

The panel mount base incorporates a pluggable terminal block ensuring rapid installation and maintenance.

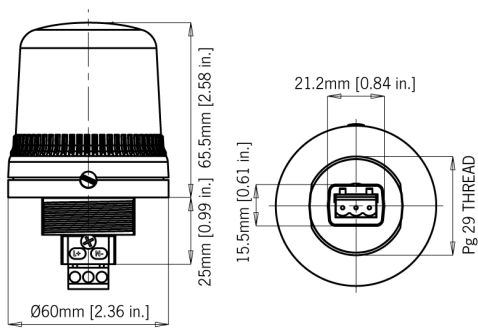
## Features

- Bayonet fixing lens.
- Anti-tamper locking screw.
- Stainless steel fixings.

## Approvals

- GOST-R certificate: POCC GB.JB05.H00144.





## Specification

|                         |   |
|-------------------------|---|
| Light source:           | Xenon Strobe                            |
| Energy:                 | 1 Joule (1Ws)                           |
| Flash frequency:        | 0.75 Hz                                 |
| Lens colours:           | Amber, Blue, Clear, Green, Red & Yellow |
| Lens type:              | Prismatic (standard) or plain           |
| Peak Candela:           | 100,000 cd – calculated from energy (J) |
| Effective Intensity cd: | 50 cd – calculated from energy (J)      |
| Peak Candela:           | 59,155 cd* – measured ref. to I.E.S.    |
| Effective Intensity cd: | 37 cd* – measured ref. to I.E.S.        |
| Mounting:               | Panel mount PG29                        |
| Ingress protection:     | IP65                                    |
| Housing material:       | High impact UL94 V0 (f1) PC             |
| Terminals:              | 0.5 to 1.5mm <sup>2</sup> pluggable     |
| Operating temp:         | -25 to +50°C [-13° to +122°F]           |
| Storage temp:           | -40 to +70°C [-40° to +158°F]           |
| Relative humidity:      | 90% at 20°C [68°F]                      |
| Weight:                 | 93g/2.04lbs                             |

\*Candela measurements representative of performance with clear lens at optimum voltage.

## Part Codes

| Version:     | Energy: | Part code:      |
|--------------|---------|-----------------|
| 10-30V dc/ac | 1 Joule | B100STR030B/[y] |
| 115V ac      | 1 Joule | B100STR115B/[y] |
| 230V ac      | 1 Joule | B100STR230B/[y] |

[y] = Lens colour:

|   |        |
|---|--------|
| A | Amber  |
| B | Blue   |
| C | Clear  |
| G | Green  |
| R | Red    |
| Y | Yellow |

## Current Consumption

| Version:        | Current mA:                     |
|-----------------|---------------------------------|
| 10-30V dc/ac    | 82mA (24V dc)<br>145mA (24V ac) |
| 115V ac 50/60Hz | 30mA                            |
| 230V ac 50/60Hz | 20mA                            |