

B200LDA LED Permanent Beacon

The B200 series is comprised of a Xenon strobe beacon, permanent filament bulb, blinking filament bulb and a permanent LED array beacon version.

The surface mount base can also be supplied with a right angle bracket or with a pole mounted assembly.

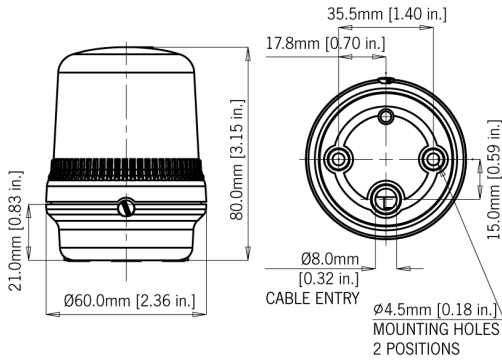
Features

- Bayonet fixing lens.
- Anti-tamper locking screw.
- Stainless steel fixings.

Approvals

- GOST-R certificate: POCC GB.JB05.H00144.





Specification

Light source:	9 x High power L.E.D's
Lens/L.E.D. colours:	Amber, Blue, Clear (White L.E.D), Green, Red & Yellow
Lens type:	Prismatic (standard) or plain
Peak/Effective Intensity cd:	5.5 cd* - measured ref. to I.E.S.
Mounting:	Surface mount (right angle or pole mount accessories available)
Ingress protection:	IP65
Housing material:	High impact UL94 V0 (f1) PC
Lens material:	High impact UL94 V0 (f1) PC
Terminals:	0.5 to 1.5mm ²
Operating temp:	-25 to +50°C [-13 to +122°F]
Storage temp:	-40 to +70°C [-40 to +158°F]
Relative humidity:	90% at 20°C [68°F]
Weight:	78g/1.71lbs
*Candela measurements representative of performance with clear lens at optimum voltage	

Part Codes

Version:	Voltage:	Part code:
030	10-30V dc	B200LDA030B/[y]
230	90-230V ac	B200LDA230B/[y]
[y] = Lens colour:		
A	Amber	
B	Blue	
C	Clear	
G	Green	
R	Red	
Y	Yellow	

Current Consumption

Version:	Current mA:
10-30V dc	80mA
90-230V ac 50/60Hz	32mA