

# B300LDA LED Beacon [Multi-Function Array]

The B300 series is comprised of a Xenon strobe beacon, permanent filament bulb or halogen beacon, blinking filament bulb or halogen beacon, rotating beacon and a multi-function LED array beacon.

The surface mount base can also be supplied with a right angle bracket or with a pole mounted assembly.

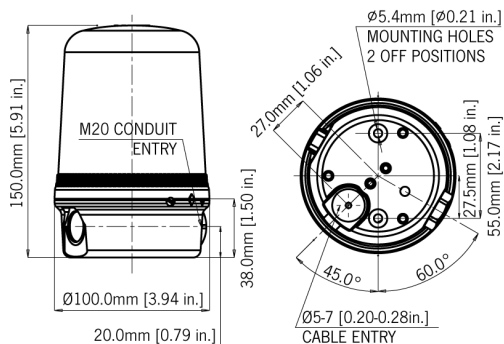
## Features

- Bayonet fixing lens.
- Anti-tamper locking screw.
- Stainless steel fixings.
- Total of 9 user selectable operation modes:
  - 4 rotating configurations.
  - 4 flashing configurations.
  - Steady mode for status applications.
- The multi-voltage DC unit also features a remotely selectable 2nd stage flash pattern.

## Approvals

- GOST-R certificate: POCC GB.JB05.H00144.





## Specification

Light source:	Array of 16 High output L.E.D.'s
Functions:	4 rotating configurations. 4 flashing configurations. Steady mode for status applications.
Peak/Effective Intensity cd:	19 cd* - measured ref. to I.E.S.
Lens colours:	Amber, Blue, Clear (White L.E.D.), Green, Red & Yellow
Lens type:	Prismatic (standard) or plain
Mounting:	Surface mount (right angle or pole mount accessories available)
Entries:	1 x 5-7mm push through grommet 1 x M20 cable entry
Dimensions:	Ø100 x 150mm
Ingress protection:	IP65
Housing material:	High impact UL94 V0 (f1) PC
Lens material:	High impact UL94 V0 (f1) PC
Terminals:	1.5 mm <sup>2</sup> flying lead assembly
Operating temp:	-25 to +50°C [-13 to +122°F]
Storage temp:	-40 to +70°C [-40 to +158°F]
Relative humidity:	90% at 20°C [68°F]
Weight:	370g/0.81lbs
*Candela measurements representative of performance with clear lens at optimum voltage	

## Part Codes

Version:	Voltage:	Part code:
050	10-50V dc	B300LDA050B/[y]
230	90-230V ac	B300LDA230B/[y]
[y] = Lens colour:		
A	Amber	
B	Blue	
C	Clear	
G	Green	
R	Red	
Y	Yellow	

## Current Consumption

Version:	Current mA:
10-50V dc	130mA @ 24V dc
90-230V ac	90mA @ 115V ac
50/60Hz	50mA @ 230V ac

## Beacon modes

Mode:	Stage 1	Stage2 [DC only]
1	All L.E.D's on	Alternate Side Flash 2Hz
2	Rotating: Slow1	Alternate Side Flash 2Hz
3	Single Strike Flash 2Hz	Rotating: Fast 2
4	Rotating: Fast 1	Single Strike Flash 2Hz
5	Rotating: Slow 2	Double Strike Flash 1Hz
6	Double Strike Flash 2Hz	Rotating: Fast 2
7	Rotating: Fast 2	Double Strike Flash 2Hz
8	Double Strike Flash 1Hz	Alternate Side Flash 2Hz
9	Alternate Side Flash 2Hz	Rotating: Fast 2