

# Technical Data



	F/012*	F Bell FB/24	F/230*
Nominal Voltage	12Vdc	24Vdc	230Vdc
Voltage Range	9 - 15Vdc	18 - 30Vdc	200 - 250Vac
Current	55 - 65mA	25 - 35mA	20 - 30mA
Sound Pattern	Bell Ring Sound	Bell Ring Sound	Bell Ring Sound
SPL @nominal voltage (@90° to front face)	95dB(A)	95dB(A)	95dB(A)
EN54-3 SPL @28V DC dB(A) (see notes)	N/A	95dB(A)	N/A

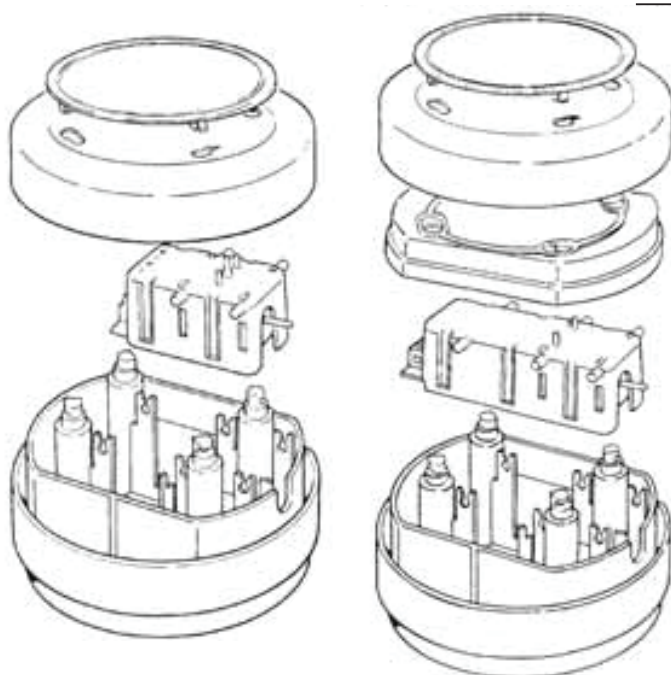
\* These products are not EN54-3 certified

Fire Alarm Device - Sounder for indoor (type A) and outdoor (type B) use

### Essential Characteristics

Harmonized Technical Specification: EN54-3:2001+A1:2002+A2:2006

Clause(s)	Performance
4.2, 4.3, 5.2, 5.3	Pass
4.4, 4.5, 4.6, 5.4	Pass
5.5, 5.6, 5.7, 5.8, 5.9	Pass
5.8, 5.9, 5.10	Pass
5.11	Pass
5.12, 5.13, 5.14, 5.15	Pass
5.16	Pass
5.17	Pass



- I. EN54-3 measurements shown reflect minimum expected SPL reading at the Loudest Point around the EN54-3 defined sounder axis.
- II. All other tone measurements reflect manufactures data, and are not verified by a Notified Body.
- III. Detailed EN54-3 polar SPL measurements are available in the Product Manual M05-006.
- IV. All other measurements are taken at 20°C operating temperature.
- V. Enclosure protection, IP21C, Type A  
Weatherproof version, IP33C, Type B

### Important note:

The mains version should only be installed by a suitably qualified person.

The mains supply should be isolated before removing the cover. Ensure that the gong fixing screw is refitted after installation. The supply must be wired using cable of no greater than 6A rating and a cross sectional area of 0.75mm<sup>2</sup>. The cable must be secured using a suitable cable gland.

A readily accessible disconnect device must be incorporated in the mains supply wiring to this unit. Refer to current wiring regulations.

The unit should be powered via a 1A 250V anti-surge fuse (T1A250V).



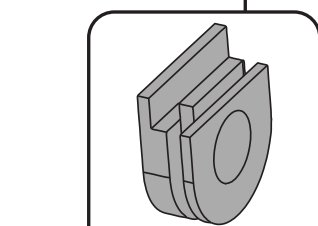
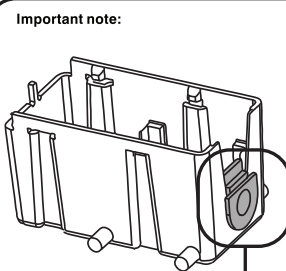
F/WP Kit\*\*



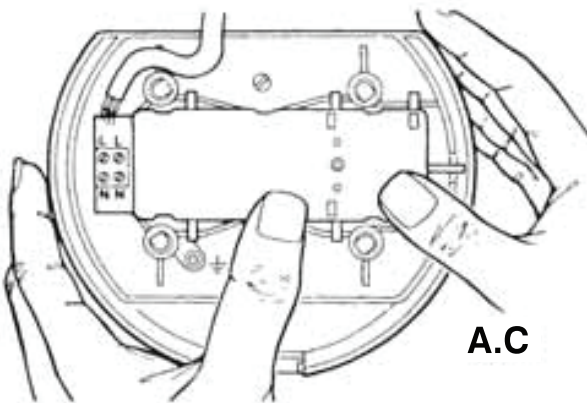
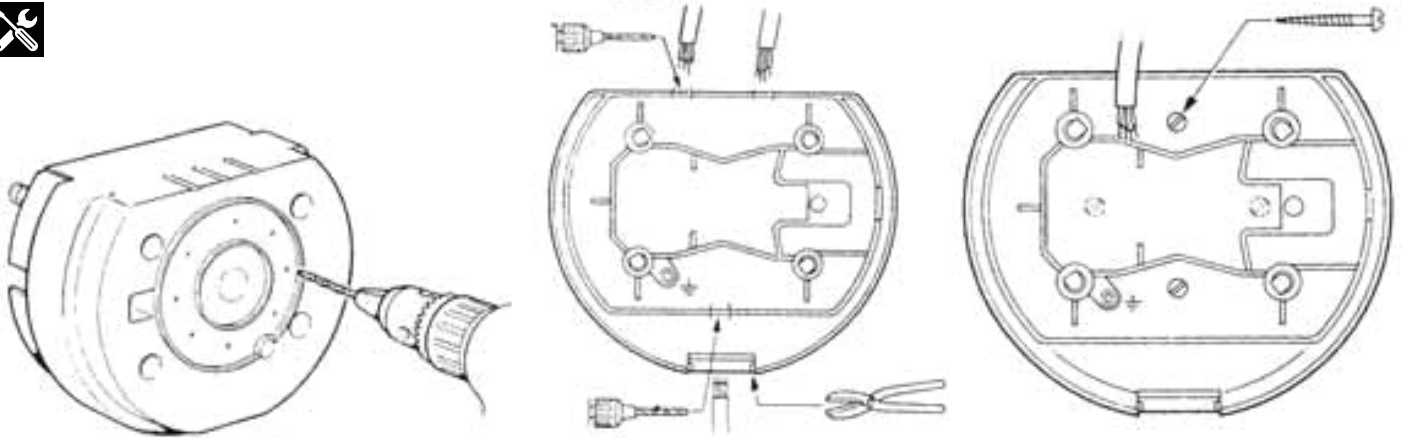
\*\* Weatherproofing kit must be used for outdoor (type B) installations



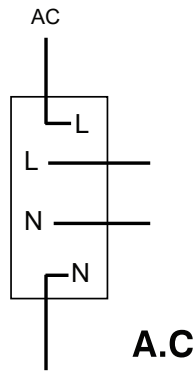
F-Type A, IP21C  
F/WP-Type A/B-IP44



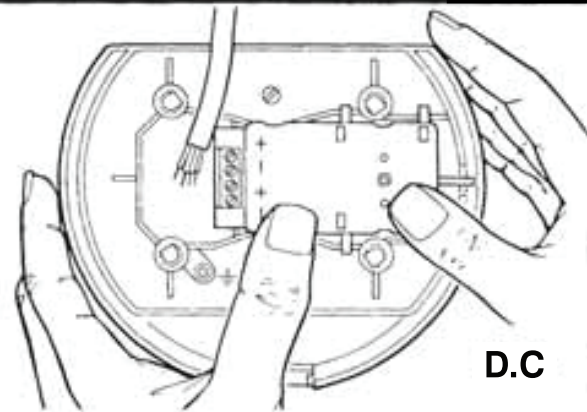
When fitting plunger seal into motor box, ensure larger hole on seal is facing outwards



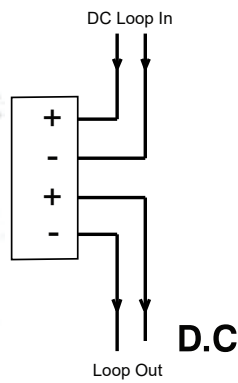
**A.C**



**A.C**



**D.C**



**D.C**

