

# DGW21 Bell Technical Manual



## **DISCLAIMER OF WARRANTIES AND LIMITATION OF LIABILITY**

The information, recommendations, descriptions and safety notations in this document are based on Eaton Corporation's ("Eaton") experience and judgment and may not cover all contingencies. If further information is required, an Eaton sales office should be consulted. Sale of the product shown in this literature is subject to the terms and conditions outlined in appropriate Eaton selling policies or other contractual agreement between Eaton and the purchaser.

THERE ARE NO UNDERSTANDINGS, AGREEMENTS, WARRANTIES, EXPRESSED OR IMPLIED, INCLUDING WARRANTIES OF FITNESS FOR A PARTICULAR PURPOSE OR MERCHANTABILITY, OTHER THAN THOSE SPECIFICALLY SET OUT IN ANY EXISTING CONTRACT BETWEEN THE PARTIES. ANY SUCH CONTRACT STATES THE ENTIRE OBLIGATION OF EATON. THE CONTENTS OF THIS DOCUMENT SHALL NOT BECOME PART OF OR MODIFY ANY CONTRACT BETWEEN THE PARTIES.

In no event will Eaton be responsible to the purchaser or user in contract, in tort (including negligence), strict liability or otherwise for any special, indirect, incidental or consequential damage or loss whatsoever, including but not limited to damage or loss of use of equipment, plant or power system, cost of capital, loss of power, additional expenses in the use of existing power facilities, or claims against the purchaser or user by its customers resulting from the use of the information, recommendations and descriptions contained herein. The information contained in this manual is subject to change without notice.

### **FRANCAIS**

Les informations, des recommandations, des descriptions et des notations de sécurité dans ce document sont basés sur Eaton Corporation de ("Eaton") expérience et le jugement et peuvent ne pas couvrir toutes les éventualités. Si des informations supplémentaires sont nécessaires, un bureau de vente Eaton devrait être consulté. La vente du produit indiqué dans cette littérature est soumise aux termes et conditions appropriées décrites dans Eaton à vendre des polices ou accord contractuel other Entre Eaton et l'acheteur.

IL N'Y A PAS ENTENTES, ACCORDS, GARANTIE, EXPLICITE OU IMPLICITE, Y COMPRIS LES GARANTIES D'ADAPTATION À UN USAGE PARTICULIER OU DE COMMERCIALISATION, AUTRES QUE CEUX SPECIFIES DANS TOUT CONTRAT EXISTANT ENTRE LES PARTIES. UN TEL CONTRAT ETATS L'OBLIGATION ENTIER DE EATON. LE CONTENU DE CE DOCUMENT NE DOIT PAS DEVENIR PARTIE OU MODIFIER TOUT CONTRAT ENTRE LES PARTIES.

En aucun cas, Eaton responsable à l'acheteur ou de l'utilisateur dans le contrat, en responsabilité délictuelle (y compris la négligence), la responsabilité stricte ou autre sage pour tout dommage spécial, indirect ou consécutif ou toute perte, y compris mais sans s'y limiter les dommages ou pertes d'utilisation de l'équipement, installation ou du système d'alimentation, le coût du capital, perte de puissance, les dépenses supplémentaires dans l'utilisation des installations électriques existantes, ou des réclamations contre l'acheteur ou de l'utilisateur par ses clients résultant de l'utilisation des informations, des recommandations et des descriptions contenues dans les présentes. Les informations contenues dans ce manuel sont sujettes à modification sans préavis.

## Table of contents

Signalling bell dGW21/dRGW21 .....	4
Ordering data .....	4
CE symbol .....	4
Application .....	4
Design .....	4
Recycling .....	5
Assembly .....	5
Connecting and adjusting .....	5
Remarks .....	5
Warning .....	5
Technical specification .....	5
Wall mounting .....	6
Terminal connecting plan .....	6
Terminal connecting plan for calling relay version .....	7
Dimensions .....	7
User information .....	8

## Signalling bell dGW21/dRGW21

### Ordering data

Type	Rated voltage	Tolerance	Current consumption
dGW21	12 V <sub>AC</sub> 50 Hz	+10%/-15%	0,60 A *
dGW21	24 V <sub>AC</sub> 50 Hz	+10%/-15%	0,32 A *
dGW21	42 V <sub>AC</sub> 50 Hz	+10%/-15%	0,30 A *
dGW21	48 V <sub>AC</sub> 50 Hz	+10%/-15%	0,30 A *
dGW21	60 V <sub>AC</sub> 50 Hz	+10%/-15%	0,24 A *
dGW21	110 V <sub>AC</sub> 50 Hz	+10%/-15%	0,14 A
dGW21	120 V <sub>AC</sub> 60 Hz	+10%/-15%	0,18 A *
dGW21	230 V <sub>AC</sub> 50 Hz	+10%/-15%	0,055 A
dGW21	240 V <sub>AC</sub> 60 Hz	+10%/-15%	0,065 A *
dGW21	6 V <sub>DC</sub>	+10%/-15%	1,20 A *
dGW21	12 V <sub>DC</sub>	+10%/-15%	0,60 A *
dGW21	24 V <sub>DC</sub>	+10%/-15%	0,35 A
dGW21	48 V <sub>DC</sub>	+10%/-15%	0,30 A *
dGW21	60 V <sub>DC</sub>	+10%/-15%	0,23 A *
dGW21	110 V <sub>DC</sub>	+10%/-15%	0,13 A *
dGW21	220 V <sub>DC</sub>	+10%/-15%	0,07 A *
dRGW21	230 V <sub>AC</sub> 50 Hz	+10%/-15%	0,055 A *

\*Variants only available on re quest

- Acoustic signalling bell for use in areas with explosive atmospheres in Zone 1 and 2 or Zone 21 and 22
- Explosion category Ex d e IIC T6 Gb Ex tb IIIC T80°C Db
- Insulation class II
- Overvoltage category II
- Protection category IP 66
- D.C. version with electronic contact breaker
- Plastic enclosure

### CE symbol

We hereby declare this product is in compliance with the Essential Health and Safety Requirements of ATEX Directive 2014/34/EU, EMC Directive 2014/30/EU, Low Voltage Directive 2014/35/EU and RoHS Directive 2011/65/EU.

The appropriate standards, technical regulations und specifications you can take from the attached conformity declaration and the conformity declarations on our Website.

### Application

The signalling bell dGW21 was designed to warn, call and signal in areas with explosive atmospheres and rough ambient conditions. The explosion categories Ex d e IIC T6 Gb and Ex tb IIIC T80°C Db allows the signalling bell to be used in areas with explosive atmospheres in zone 1 and 2 and in zone 21 and 22.

The signalling bell produces a sound volume of approx. 105 dB(A) at 1 meter distance.

The emphasis of the ring lies at approx. 1000 Hz, as a result of which the signal stands out clearly against lower-frequency ambient noises. The bell is available for all usual supply voltages. The version dRGW 21 comprises a telephone calling relay and reproduces the signals in the pulse rate of the overriding telephone call.

### Design

Explosion protection is ensured by the flameproof enclosure of the driver system and the terminal box realised in the explosion protection mode "increased safety". The flame proof room contains the electromagnetic driver system and, for the design dRGW21 an additional telephone calling relay. The enclosure is made completely of plastic thus guaranteeing protection from corrosion. In addition we realize insulation class II, so there is no equipotential bonding necessary.

The construction is furthermore low-weight and very robust. All d.c. versions are equipped with an electronic contact breaker which considerably increases service life compared with other available devices.

## Recycling

The device can be disposed of completely as electronic waste. When the device is disassembled, plastics, metals and electronics are to be disposed of separately

## Assembly

The signalling bell is suitable for either wall or ceiling mounting. Please refer to page 5 for mounting dimensions. All fixing elements and bases must bear the weight of the device (approx. 3.5 kg). Please assemble the wall fixtures, which are part of the scope of delivery, (including assembly material) and arrester plate according to Figure 1 on page 5. Make sure the catches of the safety plate fit in the openings in the wall bracket.

## Connecting and adjusting

The device may only be connected and adjusted by qualified personnel. The regulations and instructions of the respective country regarding connection to the public telephone network and/or to private branch exchanges (PBX) have to be considered. The following regulations concerning connection and adjustment are to be observed.

Regulations regarding connection to the mains must also be observed. Mains connection at terminals 1 and 4. Connection to other devices at terminals 2 and 3 (see Fig. 2 on page 5). When using the telephone calling relay connect mains to terminals 1 and 2 and the telephone connection to terminals 3 and 4 (see Fig. 3 on page 5). In case of factory fitted cable glands the attached operating instructions have to be considered.

## Remarks

Each signalling bell is adjusted in the works. Should the sound alter after a certain number of operating hours, a qualified person can adjust the tappet in the device as follows:

- Apply rated voltage
- Push the bell system higher after unscrewing the system fixing screws until the sound is optimal
- Replace the system fixing screws and tighten

These adjustments may be carried out only outside of the hazardous area.

## Warning

The device has a very loud sound volume. To avoid damage to the hearing, do not come too close to the sound emitter.

## Technical specification

Enclosure	Fiberglass reinforced polyester The locking torque of the upper part screws is: 1.2 ... 1.5 Nm
Colour of enclosure	Black or red
Insulation class	II (no potential bonding necessary).
Protection category	IP 66 (acc. IEC 529/EN 60529)
Cable glands	1x M20 x 1.5 and vent plugs M20 x 1.5 optionally 2x cable entry M20 x 1.5 for design dRGW21
Operating temperature	-20°C bis +40°C
Storage temperature	-20°C bis +80°C
Operating mode	Continuous operation as per IEC34; DIN EN 60034-1; VDE 0530 Level S1
Operating utilization position	Bell dome to the front (tappet downwards)
Operating conditions	Inside or outside
Connecting terminals	1.5 mm <sup>2</sup> stranded wire 2.5 mm <sup>2</sup> solid wire
Sound pressure level	approx.105 dB(A) at 1 meter distance
Explosion category	Ex d e IIC T6 Gb Ex tb IIIC T80°C Db (only black housing)
EC-type-examination certificate	PTB 01 ATEX 1064
Dimensions	Approx. 210 x 190 x 190 mm
Weight	Approx. 5.5 kg

## WARNING

**At the devices there is hazard of ignition by electrostatic discharges. Charging e.g. by friction or during cleaning has to be avoided. The assembly has to be carried out in a way that a hazardous electro-static charging e.g. by pneumatic delivery will be avoided.**

### Wall mounting

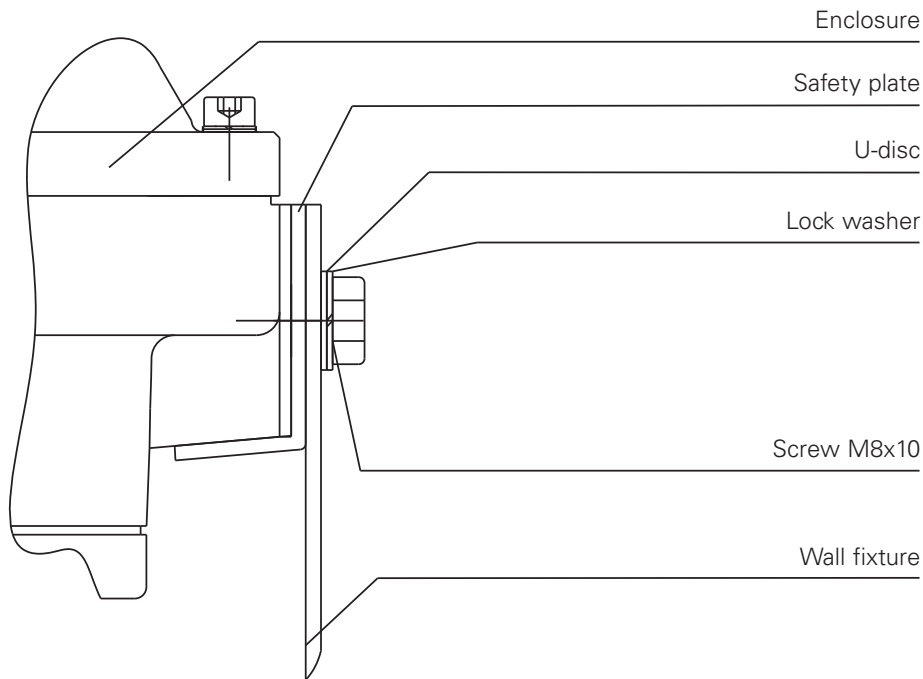


Fig 1

### Terminal connecting plan

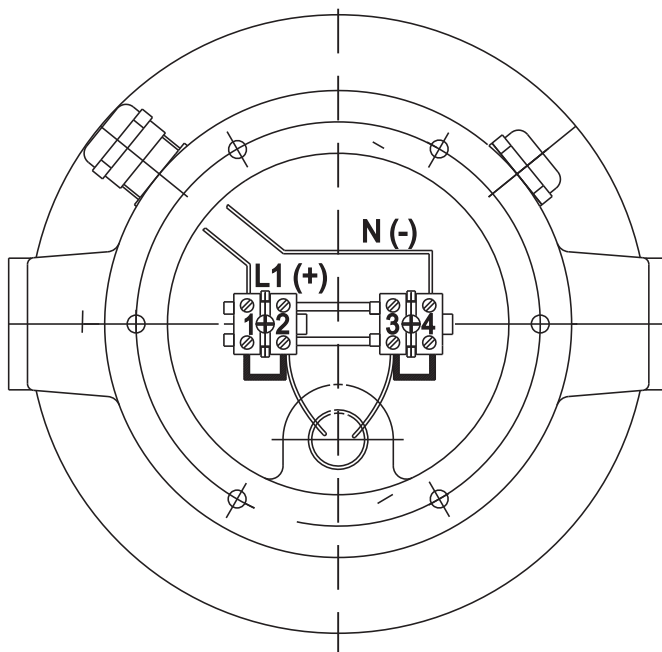
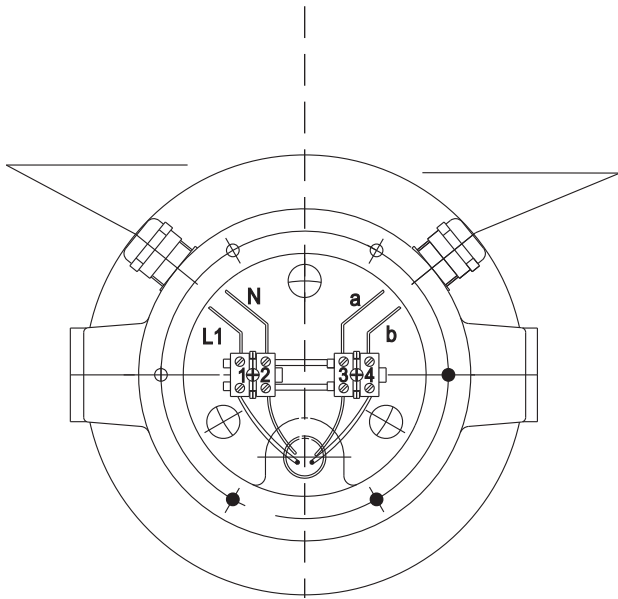


Fig 2

**Terminal connecting plan for calling relay version**

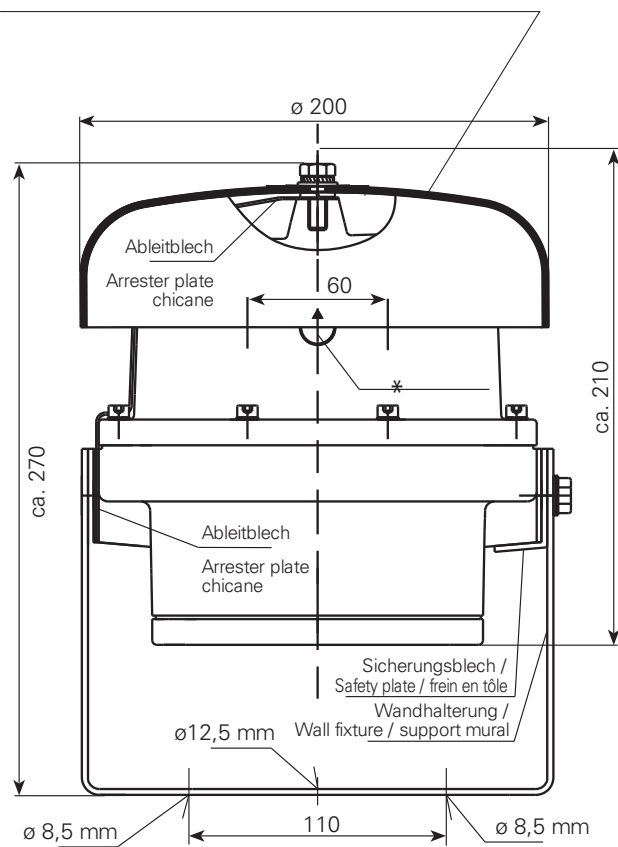


Cable inlet for mains voltage 230 VAC/50 Hz  
max. insulated sheathing length

Cable inlet for ringing voltage  
max. insulated sheathing length 35 mm

**Fig 3**

**Dimensions**



Dimensions [mm]

Adjustment of bell dome (sound volume adjustment) is only allowed in this area!

\*tappet limit on bell dome (please observe marking)

## User information

The following remarks regarding warnings and safety are to be observed:

The installation and adjustment of the device must be carried out by qualified personnel in accordance with the prescribed installation regulations taking the specified protection class into account.

This device has been constructed in insulation class II and may only be connected to and operated on the prescribed voltage. Please observe the information regarding polarity.

Care must be taken not to damage the enclosure of the device.

If the device is operated in commercial equipment, the Accident Prevention Regulations of the Employer's Liability Insurance Association for electrical units and equipment are to be observed.

The equipment may only be operated under the prescribed environmental conditions. Unfavourable environmental conditions can lead to damage of the device and thus present a potential danger for the user.

Unfavourable environmental conditions could include:

- Humidity of air too high (> 75% rel, condensing)
- Moisture, dust (Observe degree of protection)
- Flammable gases, vapours, solvents not covered by the type of protection for the device
- Ambient temperature too high (> 40°C)
- Ambient temperature too low (< -20°C)

During operation of the device the temperature must not exceed nor fall below the prescribed range of ambient temperatures.

The position of use prescribed for the device must be observed.

The prescribed modes of operation must be complied with.

Maintenance work may only be carried out by the manufacturer or by a person authorized by the manufacturer when carrying out a renewed routine test for the device.

Adjustment work on the device in the flameproof room may only be carried out by the manufacturer or by authorized and qualified persons in accordance with instructions drawn up by the manufacturer especially for this purpose.

If adjustment work or maintenance work is to be carried out in explosive atmospheres, the required opening and closing of the flameproof room must be carried out as follows:

- Disconnect the device from the power supply.
- Observe the prescribed waiting time as per device label before opening.
- Unscrew the connecting plate - wall fixture, bell dome.
- Remove the upper part of the enclosure.
- Unscrew the 8 hexagon socket screws on the upper part of the enclosure.
- Carry out adjustment or maintenance work on the opened device.
- When the work is done, put the upper part of the housing back on the lower part again. Make sure that there are no dust particles between the two parts of the housing, and that the upper part of the housing rests completely on the lower part. All fastening screws must be tightened evenly and crosswise, in several bouts. Replace connecting plate, wall fixture and bell dome and tighten.

The device may only be cleaned using a damp cloth in order to prevent electrostatic charging. The device may not be operated without an arrester plate.

Use only identical ATEX-approved cable glands and blind plugs with the following characteristics:

- Operating temperature -20°C to +40°C
- IP 66
- Material: plastic

When connecting or disconnecting leads in the terminal room „increased safety“, the device and all leads must not be under power.

Should these points not be observed the electrical safety and the explosion protection cannot be guaranteed. The device is then a potential source of danger for the life of the user and can cause the ignition of an explosive atmosphere.

The signalling bell should not be operated in areas in which strong charges are generated, machines work by friction or cutting, electrons are sprayed (e.g. in the vicinity of electrostatic paint equipment), or pneumatically transported dust occurs.

Subject to alterations or errors



## Inhaltsverzeichnis

<b>ExII-Signalwecker dGW21/dRGW21</b> .....	<b>10</b>
<b>Bestelldaten</b> .....	<b>10</b>
<b>CE-Zeichen</b> .....	<b>10</b>
<b>Anwendung</b> .....	<b>10</b>
<b>Aufbau</b> .....	<b>11</b>
<b>Recycling</b> .....	<b>11</b>
<b>Montage</b> .....	<b>11</b>
<b>Anschließen und Einstellen</b> .....	<b>11</b>
<b>Hinweis</b> .....	<b>11</b>
<b>Achtung</b> .....	<b>11</b>
<b>Montage Wandhalterung</b> .....	<b>12</b>
<b>Technische Daten</b> .....	<b>12</b>
<b>Anschlussplan</b> .....	<b>13</b>
<b>Anschlussplan – Ausf. Rufrelais</b> .....	<b>13</b>
<b>Maßbild</b> .....	<b>14</b>
<b>Benutzerinformation</b> .....	<b>14</b>

## ExII-Signalwecker dGW21/dRGW21

### Bestelldaten

Typ	Nennspannung	Toleranz	Stromaufnahme
dGW21	12 V <sub>AC</sub> 50 Hz	+10%/-15%	0,60 A *
dGW21	24 V <sub>AC</sub> 50 Hz	+10%/-15%	0,32 A *
dGW21	42 V <sub>AC</sub> 50 Hz	+10%/-15%	0,30 A *
dGW21	48 V <sub>AC</sub> 50 Hz	+10%/-15%	0,30 A *
dGW21	60 V <sub>AC</sub> 50 Hz	+10%/-15%	0,24 A *
dGW21	110 V <sub>AC</sub> 50 Hz	+10%/-15%	0,14 A
dGW21	120 V <sub>AC</sub> 60 Hz	+10%/-15%	0,18 A *
dGW21	230 V <sub>AC</sub> 50 Hz	+10%/-15%	0,055 A
dGW21	240 V <sub>AC</sub> 60 Hz	+10%/-15%	0,065 A *
dGW21	6 V <sub>DC</sub>	+10%/-15%	1,20 A *
dGW21	12 V <sub>DC</sub>	+10%/-15%	0,60 A *
dGW21	24 V <sub>DC</sub>	+10%/-15%	0,35 A
dGW21	48 V <sub>DC</sub>	+10%/-15%	0,30 A *
dGW21	60 V <sub>DC</sub>	+10%/-15%	0,23 A *
dGW21	110 V <sub>DC</sub>	+10%/-15%	0,13 A *
dGW21	220 V <sub>DC</sub>	+10%/-15%	0,07 A *
dRGW21	230 V <sub>AC</sub> 50 Hz	+10%/-15%	0,055 A *

\*Varianten nur auf Anfrage lieferbar

- Akustischer Signalwecker für den Einsatz in explosions gefährdeten Bereichen der Zone 1 und 2 oder den Zonen 21 und 22
- Zündschutzart Ex d e IIC T6 Gb Ex tb IIIC T80°C Db
- Schutzklasse II
- Überspannungskategorie II
- Schutzart IP 66
- Gleichstromausführung mit elektronischem Unterbrecher
- Kunststoffgehäuse

### CE-Zeichen

Wir erklären hiermit, dass sich dieses Produkt in Übereinstimmung mit den grundlegenden Sicherheits- und Gesundheitsanforderungen der ATEX-Richtlinie 2014/34/EU, der EMV-Richtlinie 2014/30/EU, der Niederspannungsrichtlinie 2014/35/EU und der RoHS-Richtlinie 2011/65/EU befindet.

Die entsprechenden Normen, technischen Regeln und Spezifikationen entnehmen Sie bitte der beigelegten Konformitätserklärung und den Konformitätserklärungen auf unserer Website.

### Anwendung

Der Signalwecker dGW21 wurde zum Warnen, Rufen und Melden in explosionsgefährdeten Bereichen und für raue Umgebungsbedingungen entwickelt. Die Zündschutzarten Ex d e IIC T6 Gb sowie Ex tb IIIC T80°C Db erlauben dabei den Einsatz des Signalweckers in Ex-Bereichen der Zonen 1 und 2 sowie Zonen 21 und 22.

Der Signalwecker erzeugt einen Schallpegel von ca. 105 dB(A) in 1m Abstand. Der Lautstärkeschwerpunkt liegt bei ca. 1000 Hz wodurch sich das Signal gut von tieferfrequenten Umgebungsgläuschen abhebt. Der Signalwecker ist für die gängigen Versorgungsspannungen lieferbar. Die Ausführung dRGH21 beinhaltet ein Telefonrufrelais und gibt die Signale im Takt des aufgeschalteten Telefonrufes wieder.

## Aufbau

Der Explosionschutz wird durch den druckfesten Einbauraum und den Anschlussraum in der Zündschutzart „erhöhte Sicherheit“ gewährleistet. Der druckfeste Raum beinhaltet das elektromagnetische Antriebssystem und bei der Ausführung dRGW21 zusätzlich das Telefonrufrelais. Das Gehäuse ist vollständig aus Kunststoff gefertigt.

Hierdurch wird zum einen der Korrosionsschutz gewährleistet, zum anderen wird die Schutzklasse II realisiert. Ein Potentialausgleichsleiter ist daher nicht erforderlich. Geringes Gewicht bei hoher Robustheit sind weitere Merkmale der Konstruktion.

Alle Gleichstromausführungen sind mit einem elektronischen Unterbrecher ausgestattet. Gegenüber herkömmlichen Lösungen wird dadurch die Lebensdauer entscheidend verlängert.

The construction is furthermore low-weight and very robust. All d.c. versions are equipped with an electronic contact breaker which considerably increases service life compared with other available devices.

## Recycling

Die Komplettentsorgung der Geräte erfolgt über den Elektronik Abfall. Bei Demontage des Gerätes sind die Komponenten Kunststoff, Metalle und Elektronik separat zu entsorgen.

## Montage

Der Signalwecker ist für Wand- und Deckenmontage geeignet. Die Abmaße sind dem Maßbild (siehe Seite 5) zu entnehmen. Befestigungselemente und Untergrund müssen das Gewicht des Gerätes (ca. 3,5 kg) tragen können. Die im Lieferumfang enthaltene Wandhalterung (einschl. Montagematerial) und Ableitblech montieren Sie bitte wie auf Bild 1 (siehe Seite 5) dargestellt. Dabei ist zu beachten, dass die Nasen des Sicherungsbleches in die Ausbuchtungen des Wandhalters greifen können.

## Anschließen und Einstellen

Das Anschließen und Einstellen des Gerätes darf nur durch unterwiesenes Fachpersonal erfolgen. Es sind die Vorschriften und Hinweise des jeweiligen Landes zum Anschalten an das öffentliche Telefonnetz bzw. an private Nebenstellenanlagen zu beachten. Nachfolgende Anschluss- und Einstellvorschriften sind einzuhalten. Es sind die Vorschriften zum Anschalten an das Versorgungsnetz zu beachten. Netzanschluss an Klemme 1 und 4. Die Verbindung zu weiteren Geräten an Klemme 2 und 3 (siehe Bild 2, Seite 5). Bei Nutzung des Telefonrelais erfolgt der Netzanschluss an Klemme 1 und 2 und der Telefonanschluss an Klemme 3 und 4 (siehe Bild 3, Seite 5). Auf sichere Trennung zwischen Telefon und Netzanschluss achten. Bei den werkseitig bestückten KLE ist die beige-fügte Betriebsanleitung zu beachten.

## Hinweis

Jeder Signalwecker wird im Werk eingestellt. Sollte sich der Ton nach einer bestimmten Betriebszeit verstellen, so kann das Einstellen des Stößels im Gerät durch eine Fachkraft wie folgt durchgeführt werden:

- Nennspannung anlegen
- Weckersystem nach Lösen der Systembefestigungsschrauben in der Höhe verschieben, bis der Ton optimal ist.
- Systembefestigungsschrauben wieder festziehen

Diese Einstellarbeiten dürfen nur außerhalb des explosionsgefährdeten Bereiches ausgeführt werden.

## Achtung

Das Gerät verfügt über eine hohe Lautstärke. Zu starke Annäherung an den aktivierten Schallgeber, ist zur Vermeidung von Gehörbeeinträchtigung zu vermeiden.

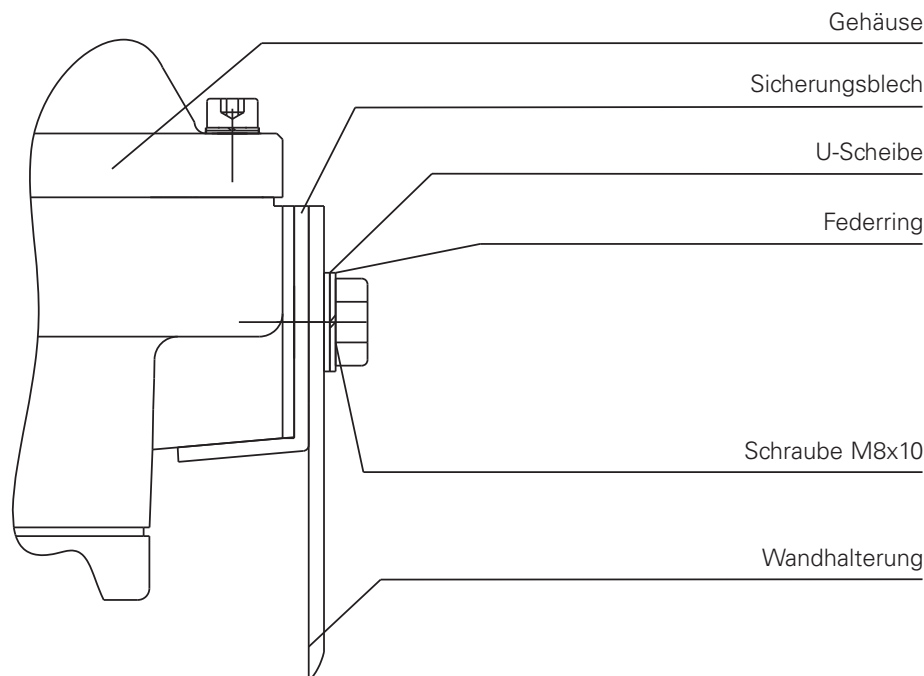
## Technische Daten

Gehäuse	Glasfaserverstärktes Polyester Das Anziehdrehmoment der Deckelschrauben beträgt 1,2 ... 1,5 Nm
Gehäusefarbe	Schwarz oder rot
Schutzklasse	II (kein Potentialausgleich erforderlich)
Schutzart	IP 66 (gemäß IEC 529/EN 60529)
Kabeleinführung	1x M20 x 1,5 und Verschlussstopfen M20 x 1,5 wahlweise 2x Kabeleinführung M20 x 1,5 bei der Ausführung dRGW21
Betriebstemperatur	-20°C bis +40°C
Lagertemperatur	-20°C bis +80°C
Betriebsart	Dauerbetrieb nach IEC34; DIN EN 60034-1; VDE 0530 Niveau S1
Betriebsgebrauchslage	Glockenschale vorne (Stößel nach unten)
Betriebsbedingungen	in Räumen oder im Freien
Anschlussklemmen	1,5 mm <sup>2</sup> feindrähtig / 2,5 mm <sup>2</sup> eindrähtig
Schalldruckpegel	ca. 105 dB(A) in 1m Entfernung
Zündschutzart	Ex d e IIC T6 Gb Ex tb IIIC T80°C Db (nur schwarze Gehäuse)
EG-Baumusterprüfbescheinigung	PTB 01 ATEX 1064
Abmessungen	ca. 210 x 190 x 190 mm
Gewicht	ca. 5,5 kg

### WARNING

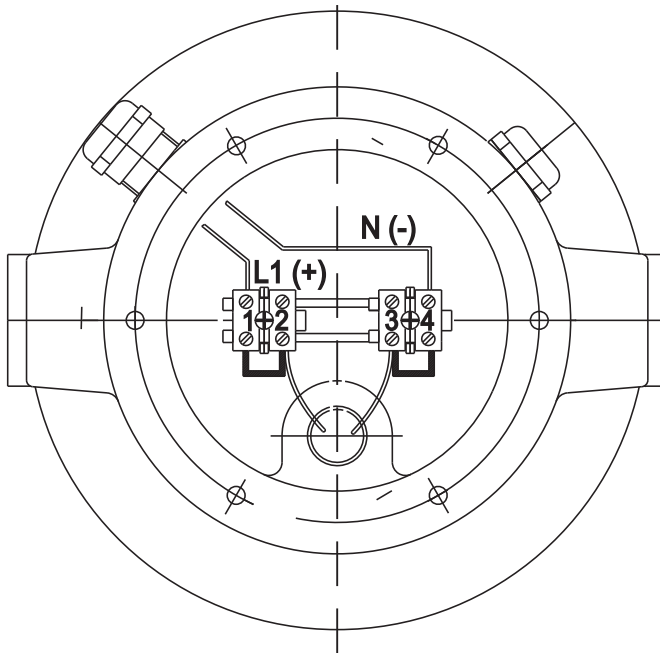
**An den Geräten besteht die Gefahr der Zündung durch elektrostatische Entladungen. Aufladungen z.B. durch Reibung oder während der Reinigung sind zu vermeiden. Die Montage muss so erfolgen, dass eine gefährliche elektrostatische Aufladung z.B. durch pneumatische Förderströme verhindert wird**

## Montage Wandhalterung



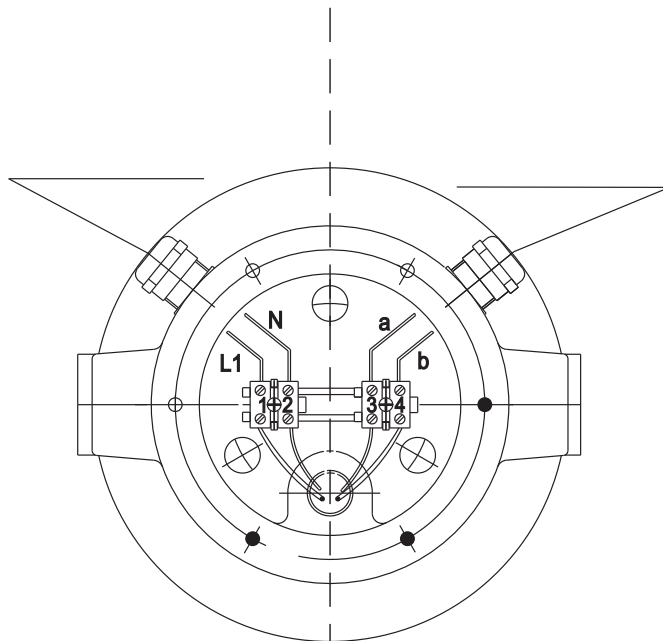
**Bild 1**

**Anschlussplan**



**Bild 2**

**Anschlussplan – Ausf. Rufrelais**

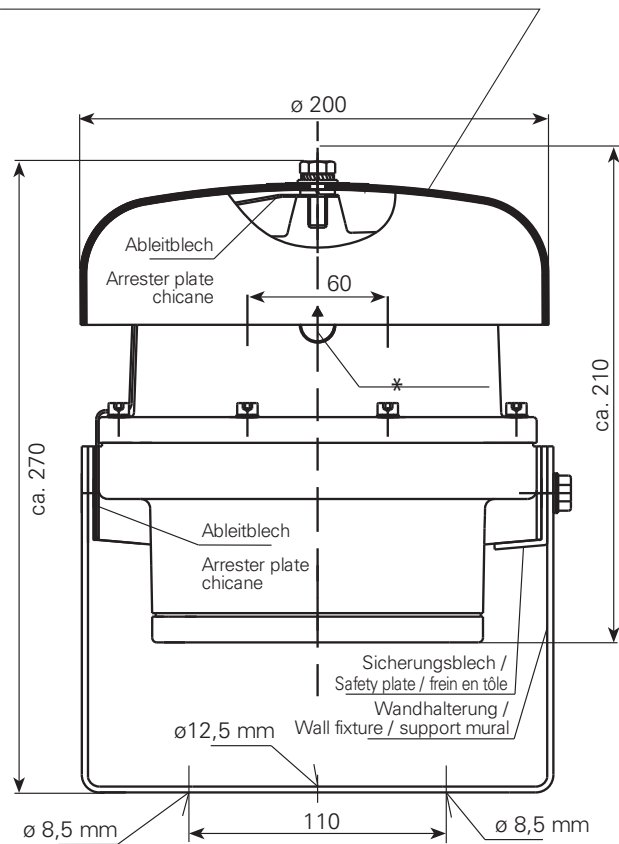


Kabeleinführung für Netz - spannung 230 VAC/50 Hz  
max. abisolierte Mantellänge

Kabeleinführung für Rufspannung  
max. abisolierte Mantellänge 35 mm

**Bild 3**

## Maßbild



Abmessungen [mm]

Die Einstellung der Glockenschale (Lautstärkeein-  
stellung) ist nur in diesem Bereich erlaubt!

\*Stößelanschlag an Glockenschale (Markierung beachten)

## Benutzerinformation

Nachstehende Warn- und Sicherheitshinweise sind besonders zu beachten:

Der Anschluss und die Installation des Gerätes haben unter Beachtung der angegebenen Zündschutzart gemäß den vorgeschriebenen Errichtungsvorschriften von einem unterwiesenen Fachmann zu erfolgen.

Dieses Gerät ist in Schutzklasse II aufgebaut und darf nur an der vorgeschriebenen Spannung angeschlossen und betrieben werden. Die Polaritätsangaben sind zu beachten. Es ist darauf zu achten, dass das Gehäuse nicht beschädigt wird.

Bei Betrieb des Gerätes in gewerblichen Einrichtungen sind die Unfallverhütungsvorschriften der gewerblichen Berufsgenossenschaften für elektrische Anlagen und Betriebsmittel zu beachten. Das Betriebsmittel darf nur unter den angegebenen Umgebungsbedingungen betrieben werden.

Widrige Umgebungsbedingungen können zur Beschädigung des Gerätes führen und damit zu einer evtl. Gefahr für das Leben des Benutzers. Solche widrigen Umgebungsbedingungen können sein:

- zu hohe Luftfeuchtigkeit (>75% rel., kondensierend)
- Nässe, Stäube (Schutzart beachten)
- brennbare Gase, Dämpfe, Lösungsmittel, die nicht durch die Zündschutzart des Gerätes abgedeckt sind
- zu hohe Umgebungstemperaturen (>+40°C)
- zu niedrige Umgebungstemperaturen (<-20°C)

Der für das Gerät angegebene Umgebungstemperaturbereich darf während des Betriebes weder unter- noch überschritten werden. Die vorgeschriebene Betriebsgebräuchsart des Gerätes ist zu berücksichtigen. Vorgeschriebene Betriebsarten sind einzuhalten.

Instandsetzungsarbeiten dürfen nur vom Hersteller selbst oder von einer vom Hersteller beauftragten Person bei Durchführung einer erneuten Stückprüfung für das Gerät durchgeführt werden.

Einstellarbeiten im druckfesten Raum des Gerätes dürfen nur vom Hersteller selbst oder von autorisiertem Fachpersonal nach einer vom Hersteller besonders dafür herausgegebenen Anweisung durchgeführt werden. Müssen Einstell- und Wartungsarbeiten im explosionsgefährdeten Bereich vorgenommen werden, muss dazu das erforderliche Öffnen und Schließen des druckfesten Raumes wie folgt durchgeführt werden:

- Gerät spannungsfrei schalten.
- Vorgeschriebene Wartezeit bis zum Öffnen gemäß Geräteaufschrift einhalten.
- Verbindungsblech Wandhalterung - Glockenschale lösen.
- 8 Innensechskant-Befestigungsschrauben des Gehäuseoberteils lösen.
- Gehäuseoberteil entfernen.
- Einstell- und Wartungsarbeiten am geöffneten Gerät vornehmen.
- Nach Abschluss der Arbeiten ist das Oberteil wieder auf das Gehäuseunterteil aufzusetzen. Es ist darauf zu achten, dass sich zwischen den beiden Gehäuseteilen keine Schmutzpartikel befinden und das Gehäuseoberteil vollflächig auf dem Gehäuseunterteil aufliegt. Alle Befestigungsschrauben sind kreuzweise, in mehreren Schraubvorgängen, gleichmäßig festzuziehen. Das Verbindungsblech Wandhalterung -Glockenschale wieder befestigen.

Reinigungsarbeiten an dem Gerät dürfen nur mit einem feuchten Tuch erfolgen, um elektrostatische Aufladungen zu vermeiden. Ohne Ableitblech darf das Gerät nicht betrieben werden.

Es dürfen nur baugleiche ATEX zugelassene Kabeleinführungen und Verschlussstopfen verwendet werden, die folgende Merkmale aufweisen:

Betriebstemperatur -20°C bis +40°C

- IP 66
- Werkstoff: Kunststoff

Bei Anschluss oder beim Abklemmen von Leitungen im Anschlussraum „erhöhte Sicherheit“ müssen das Gerät und alle Leitungen spannungsfrei geschaltet sein.

Bei Nichtbeachtung der vorgenannten Punkte ist die elektrische Sicherheit und der Explosionsschutz des Gerätes nicht mehr gegeben. Das Gerät stellt dann eine Gefahr für das Leben des Betreibers dar und kann die Zündung einer explosionsfähigen Atmosphäre verursachen.

Der Signalwecker darf nicht in Bereichen eingesetzt werden, in denen stark ladungserzeugende Prozesse, maschinelle Reib- und Trennprozesse, das Sprühen von Elektronen (z.B. im Umfeld von elektrostatischen Lackiereinrichtungen) sowie pneumatisch geförderter Staub auftreten.

Änderungen und Irrtum vorbehalten

## Table des matières

<b>Sonnerie antidéflagrante dGW21/dRGW21</b> .....	<b>17</b>
<b>Référence à la commande</b> .....	<b>17</b>
<b>Marque CE</b> .....	<b>17</b>
<b>Application</b> .....	<b>17</b>
<b>Construction</b> .....	<b>17</b>
<b>Recyclage</b> .....	<b>18</b>
<b>Montage</b> .....	<b>18</b>
<b>Raccordement et ajustage</b> .....	<b>18</b>
<b>Nota 18</b>	
<b>Attention</b> .....	<b>18</b>
<b>Données techniques</b> .....	<b>18</b>
<b>Montage support mural</b> .....	<b>19</b>
<b>Schéma de raccordement</b> .....	<b>19</b>
<b>Schéma de raccordement – Version avec relais téléphonique</b> .....	<b>20</b>
<b>Dimensions</b> .....	<b>20</b>
<b>Informations à l'utilisateur</b> .....	<b>21</b>



## Sonnerie antidéflagrante dGW21/dRGW21

### Référence à la commande

Type	Tension nominale	Tolérance	Consommation
dGW21	12 V <sub>AC</sub> 50 Hz	+10%/-15%	0,60 A *
dGW21	24 V <sub>AC</sub> 50 Hz	+10%/-15%	0,32 A *
dGW21	42 V <sub>AC</sub> 50 Hz	+10%/-15%	0,30 A *
dGW21	48 V <sub>AC</sub> 50 Hz	+10%/-15%	0,30 A *
dGW21	60 V <sub>AC</sub> 50 Hz	+10%/-15%	0,24 A *
dGW21	110 V <sub>AC</sub> 50 Hz	+10%/-15%	0,14 A
dGW21	120 V <sub>AC</sub> 60 Hz	+10%/-15%	0,18 A *
dGW21	230 V <sub>AC</sub> 50 Hz	+10%/-15%	0,055 A
dGW21	240 V <sub>AC</sub> 60 Hz	+10%/-15%	0,065 A *
dGW21	6 V <sub>DC</sub>	+10%/-15%	1,20 A *
dGW21	12 V <sub>DC</sub>	+10%/-15%	0,60 A *
dGW21	24 V <sub>DC</sub>	+10%/-15%	0,35 A
dGW21	48 V <sub>DC</sub>	+10%/-15%	0,30 A *
dGW21	60 V <sub>DC</sub>	+10%/-15%	0,23 A *
dGW21	110 V <sub>DC</sub>	+10%/-15%	0,13 A *
dGW21	220 V <sub>DC</sub>	+10%/-15%	0,07 A *
dRGW21	230 V <sub>AC</sub> 50 Hz	+10%/-15%	0,055 A *

\*Autres modèles uniquement sur demande

- Sonnerie pour l'utilisation dans les zones à risques d'explosion des zones 1 et 2 ou zones 21 et 22
- Agrément Ex de IIC T6 Gb Ex tb IIIC T80°C Db
- Classe d'isolation II
- Catégorie de surtension II
- Indice de protection IP 66
- Version en courant continu avec interrupteur électronique
- Boîtier en plastique

## Marque CE

Nous déclarons, par la présente, que ce produit est en conformité avec les exigences fondamentales de sécurité et de santé, définies par la directive ATEX 2014/34/UE, la directive CEM 2014/30/UE, la directive sur la basse tension 2014/35/UE et la directive RoHS 2011/65/UE

Les normes, règles techniques et spécifications applicables sont précisées dans la déclaration de conformité fourni et dans les déclarations de conformité sur notre site Internet.

## Application

La sonnerie dGW21 a été construite pour avertir, appeler et signaler efficacement dans des zones à risques d'explosion et sous des conditions d'environnement industriel difficiles. Les sonneries agréées Ex de IIC T6 Gb et Ex tb IIIC T80°C Db convient à toutes les atmosphères explosives des zones 1 et 2 et des zones 21 et 22. La puissance sonore de la sonnerie est d'environ 105 dB(A) à 1 mètre de distance.

D'une fréquence sonore d'environ 1000 Hz, le signal de la sonnerie se différencie bien des bruits ambiants de fréquence plus basse. La sonnerie est disponible pour toutes les tensions d'alimentation courantes. La version dRGW21 équipée d'un relais d'appel téléphonique permet la diffusion des signaux en cadence de l'appel téléphonique annoncé. breaker which considerably increases service life compared with other available devices.

## Construction

La protection antidéflagrante est garantie par le compartiment de montage antidéflagrant et le compartiment de jonction en « sécurité augmentée ». Le système d'entraînement électromagnétique est logé dans le compartiment antidéflagrant et de même le relais d'appel téléphonique de la version dRGW21. Le boîtier est entièrement construit en plastique afin de résister à la corrosion et de réaliser la classe d'isolation II. Une liaison équipotentielle n'est pas à prévoir. Autres points forts de la sonnerie sont son poids faible et sa construction robuste. Toutes les versions en courant continu disposent d'un interrupteur électronique. En comparaison des constructions traditionnelles, cette conception prolonge considérablement la longévité de l'appareil.

## Recyclage

Pour la dépollution complète des appareils utiliser des conteneurs pour déchets électroniques. En cas de démontage de l'appareil séparer les déchets plastiques, métalliques et électroniques.

## Montage

La sonnerie est conçue pour le montage mural et la suspension au plafond. Pour les dimensions se reporter à la page 5, fig. « Dimensions ». Les pièces de fixation et la surface doivent posséder une structure permettant de recevoir en toute sécurité le poids de l'appareil qui est d'environ 3,5 kg. Pour le montage du support mural et la chicane inclus dans la fourniture (y compris le matériel de montage) se reporter à la figure 1 à la page 5. Il faut veiller à ce que les ergots du frein en tôle puissent engrener dans les entailles du support mural.

## Raccordement et ajustage

Le raccordement et l'ajustage de l'appareil ne doivent être réalisés que par un personnel qualifié. Il est obligatoire d'observer les prescriptions et indications du pays respectif concernant le raccordement au réseau téléphonique public respectivement à des centraux auxiliaires.

Veillez observer les prescriptions suivantes concernant le raccordement et l'ajustage ainsi que les prescriptions concernant le raccordement au réseau d'alimentation.

Raccorder la connexion de réseau aux bornes 1 et 4. Pour le raccordement d'autres appareils utiliser les bornes 2 et 3 (voir fig. 2 à la page 5). En utilisant le relais d'appel téléphonique raccorder le relais aux bornes 1 et 2 et le raccordement téléphonique aux bornes 3 et 4 (voir fig. 3 à la page 5). Veiller à la séparation correcte du téléphone et du raccordement au réseau. Pour les entrées de câbles équipées à l'usine, le mode d'emploi fourni doit être observé.

## Nota

Toutes les sonneries sont ajustées par le fabricant. S'il s'avère nécessaire de rajuster le son après une certaine période de fonctionnement, le rajustage du battant dans l'appareil peut être effectué par un personnel qualifié de la façon suivante:

- Appliquer la tension nominale.
- Après avoir dévissé les vis de fixation du système de sonnerie, régler le système entier en hauteur, jusqu'à ce que le son soit optimal.
- Resserrer bien les vis de fixation du système de sonnerie.

Ces travaux d'ajustage doivent être effectués uniquement hors de l'atmosphère explosive!

## Attention

L'appareil dispose d'une forte puissance sonore. Il faut se tenir à une assez grande distance de la source sonore active, afin d'exclure des dommages à l'ouïe.

## Données techniques

Boîtier	polyester renforcé à la fibre de verre Le couple de serrage des vis du boîtier est compris entre 1,2 et 1,5 Nm
Couleur du boîtier	noir ou rouge
Classe d'isolation	II (pas de liaison équipotentielle à prévoir)
Indice de protection	IP 66 (selon IEC 529/EN 60529)
Entrée de câble	1x M20 x 1,5 et bouchon d'obturation M20 x 1,5 au choix 2x entrée de câble M20 x 1,5 pour la version dRGW21
Température d'utilisation	-20°C à +40°C
Température de stockage	-20°C à +80°C
Mode de fonctionnement	fonctionnement continu suivant IEC34; DIN EN 60034-1; VDE 0530 Niveau S1
Position d'utilisation	timbre en cloche en avant (battant vers le bas)
Conditions d'utilisation	à l'intérieur et à l'extérieur
Bornes de raccordement	1,5 mm <sup>2</sup> fils minces / 2,5 mm <sup>2</sup> unifilaire
Puissance sonore	env. 105 dB(A) à 1 m de distance
Mode de protection	Ex d e IIC T6 Gb Ex tb IIIC T80°C Db (seulement noir boîtier)
Attestation examen CE de type	PTB 01 ATEX 1064
Dimensions	environ 210 x 190 x 190 mm
Poids	env. 5,5 kg

**⚠ AVERTISSEMENT!**

Sur les appareils, il y a un risque d'amorçage lié aux décharges électrostatiques. Les charges, par exemple par frottement ou pendant le nettoyage, doivent être évitées. Le montage doit être effectué de telle manière à ce qu'une charge électrostatique dangereuse, notamment par des débits pneumatiques, soit évitée.

**Montage support mural**

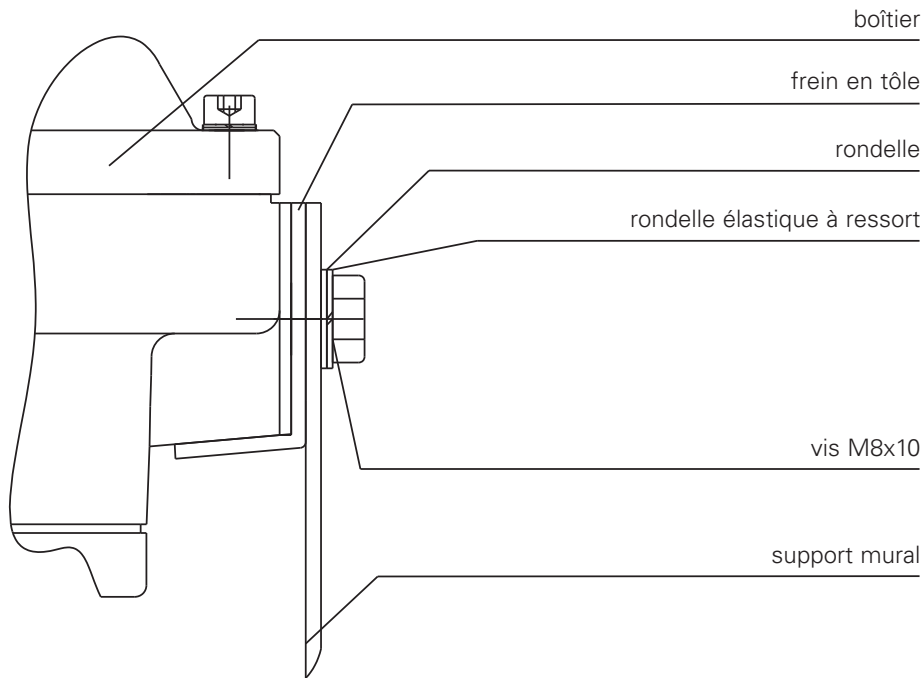


Fig 1

**Schéma de raccordement**

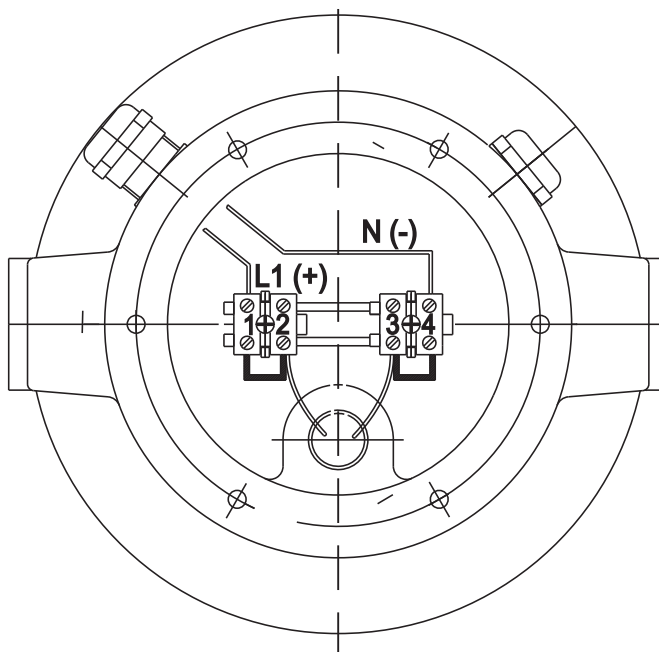
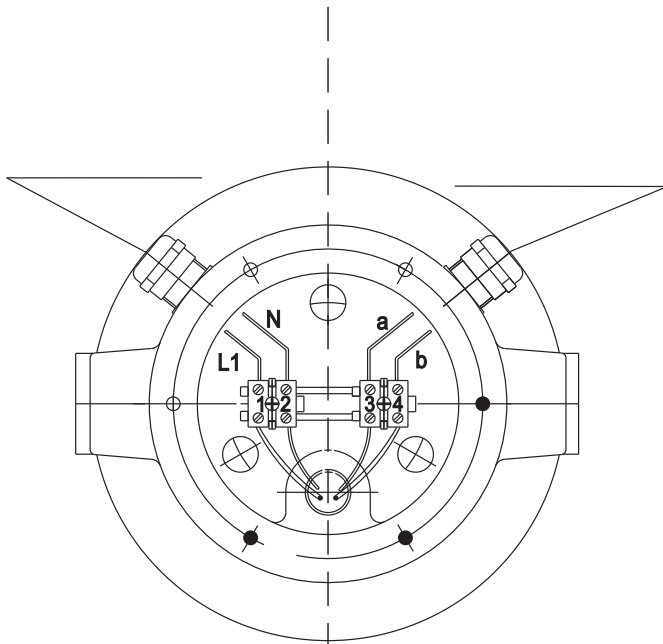


Fig 2

**Schéma de raccordement – Version avec relais téléphonique**

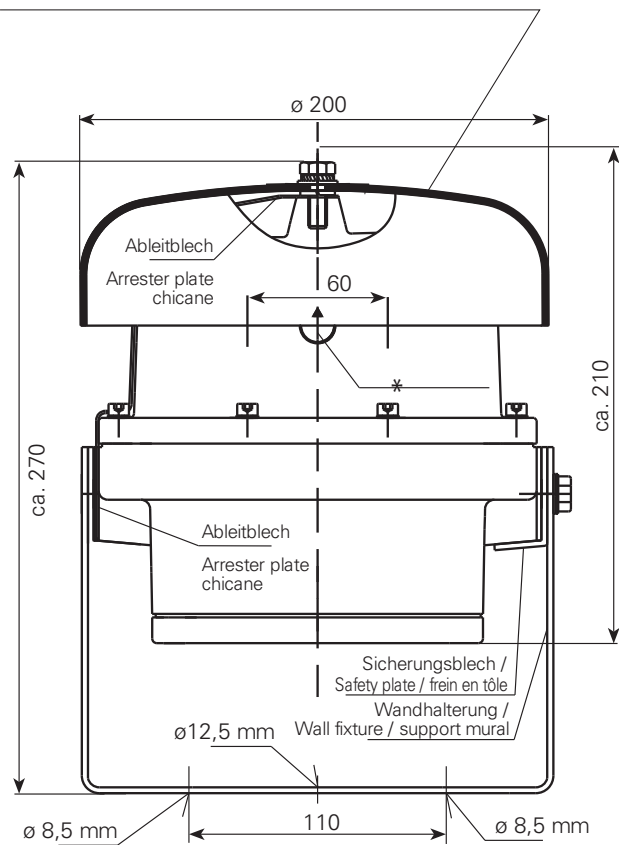


Entrée de câble pour tension de réseau 230 VAC/50 Hz  
Longueur dénudée de l'enveloppe de câble max. 35 mm

Entrée de câble pour tension d'appel  
Longueur dénudée de l'enveloppe de câble max. 35 mm

Fig 3

**Dimensions**



Dimensions [mm]

L'ajustage du timbre de cloche (réglage de niveau sonore) est permis uniquement dans cette partie de l'appareil!

\*Butée du battant contre le timbre de cloche (voir marquage).

## Informations à l'utilisateur

Les consignes d'avertissement et de sécurité suivantes doivent être particulièrement prises en considération:

Le raccordement et l'installation de l'appareil doivent être réalisés en respectant le type de protection contre l'inflammation indiqué et conformément aux directives d'installation prescrites par un personnel qualifié.

Cet appareil est construit conformément à la classe d'isolation II et ne peut être raccordé à et utilisé qu'avec la tension prescrite.

Il faut respecter les indications de polarité. Il faut veiller à ce que le boîtier ne soit pas endommagé.

En cas d'utilisation de l'appareil dans des installations commerciales ou industrielles il est obligatoire d'observer les directives de prévention des accidents des associations professionnelles commerciales ou industrielles concernant les installations et les dispositifs électriques. L'appareil ne peut être utilisé que sous les conditions environnementales indiquées.

Des conditions environnementales défavorables peuvent provoquer une détérioration de l'appareil et, en conséquence, présenter un éventuel danger pour la vie de l'utilisateur.

De telles conditions environnementales défavorables peuvent être les suivantes:

- Humidité de l'air trop élevée (>75% d'humidité relative, condensation)
- Humidité, poussières (tenir compte à l'indice de protection)
- Gaz inflammables, fumées, solvants qui ne sont pas couverts par le type de protection contre l'inflammation de l'appareil
- Températures environnantes trop élevées (>+40°C)
- Températures environnantes trop basses (<-20°C)

La plage de températures environnantes indiquée pour l'appareil ne doit pas être dépassée pendant l'utilisation, ni dans un sens ni dans l'autre. Il faut prendre en considération la position d'utilisation prescrite de l'appareil. Il faut observer les modes de fonctionnement préconisés de l'appareil.

Les travaux de réglage dans le compartiment antidéflagrant de l'appareil ne doivent être réalisées que par le constructeur lui-même ou par un personnel qualifié autorisé conformément à une directive donnée spécialement à cet effet par le constructeur. S'il faut effectuer des travaux de réglage ou de maintenance dans une atmosphère explosive, l'ouverture et la fermeture nécessaires du compartiment antidéflagrant doivent être réalisées de la façon suivante :

- Mettre l'appareil hors tension.
- Respecter le temps d'attente prescrit pour l'ouverture conformément aux indications sur l'appareil.
- Démonter la plaque de joint entre le support mural et le timbre de cloche.
- Desserrer les 8 vis de fixation (vis à tête six pans creux) de la partie supérieure du boîtier.
- Retirer la partie supérieure du boîtier.
- Effectuer les travaux de réglage ou de maintenance sur l'appareil ouvert.
- Après avoir effectués les travaux poser la partie supérieure sur le boîtier. Il faut veiller à ce qu'il ne se trouve la moindre impureté entre les deux parties du boîtier et que la partie supérieure porte exactement sur la partie inférieure du boîtier. Serrer les vis de fixation tour à tour et régulièrement. Répéter le processus plusieurs fois jusqu'à ce que toutes les vis soient bien serrées. Remonter la plaque de joint entre le support mural et le timbre de cloche.

Essayer l'appareil uniquement à l'aide d'un chiffon humide afin d'éviter des charges électrostatiques. Il est interdit de faire fonctionner l'appareil sans la chicane.

Seuls les entrées de câble et les bouchons d'obturation de construction identique agréés ATEX doivent être utilisés et disposer des caractéristiques suivantes:

- Plage de température d'utilisation: -20°C à +40°C
- IP 66
- Matériel: plastique

Lors du raccordement ou du dé-branchement des câbles dans le compartiment de jonction en « sécurisé augmentée », l'appareil et les câbles doivent être mis hors tension. En cas de non respect des points précédents, la sécurité électrique et la protection antidéflagrante de l'appareil ne sont plus garanties. L'appareil présente alors un danger pour la vie de l'utilisateur et peut provoquer l'inflammation d'une atmosphère explosive.

La sonnerie ne doit pas être utilisée en présence de processus à forte génération de charge, de processus de frottement et de séparation mécanique, de pulvérisation d'électrons (notamment dans un environnement de dispositifs de peinture électrostatiques) et de transport de poussière par air comprimé.

Sous réserve de modifications et d'erreurs

