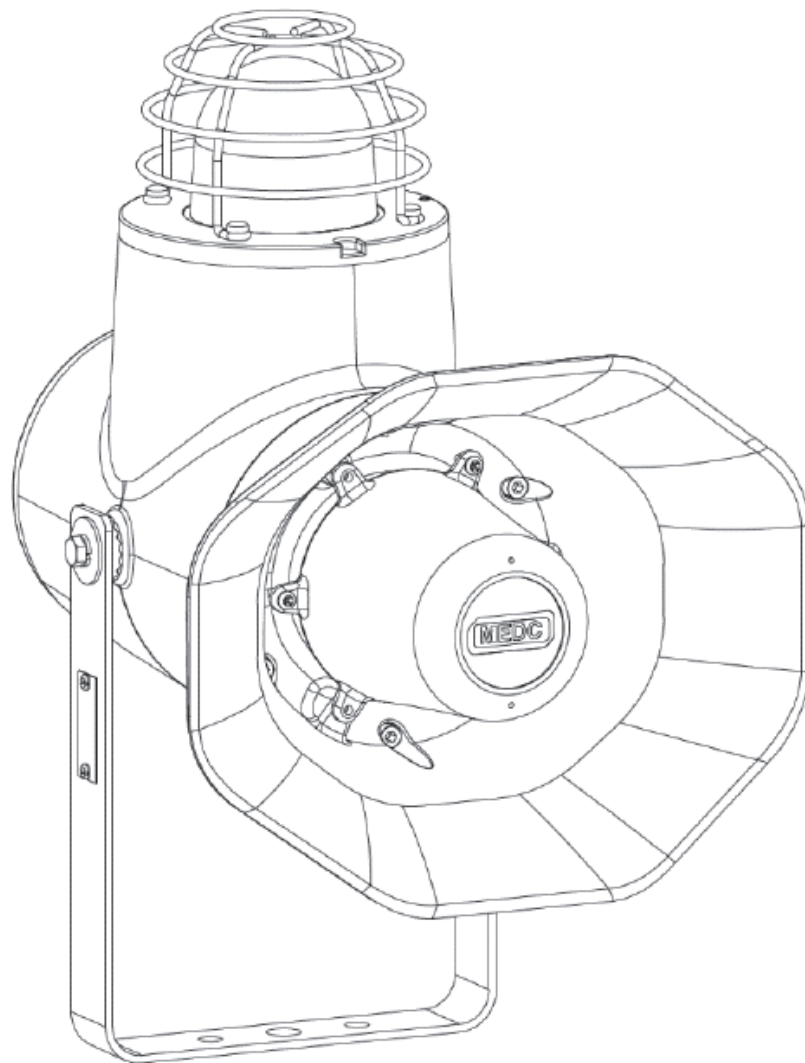


Technical Manual for the Combined Sounder and Xenon Beacon – CU1
Manuel Technique – Unité combinée d’avertisseur sonore et feu
au xénon CU1

Technische Anleitung für die Xenon-Blitzleuchte mit Schallgeber –
CU1

Manual Técnico para o Unidade de sinalização visual e sonora – CU1

Техническое руководство к оповещатели пожарные
комбинированные свето-звуковой модель CU1



DISCLAIMER OF WARRANTIES AND LIMITATION OF LIABILITY

DISCLAIMER OF WARRANTIES AND LIMITATION OF LIABILITY

Please note that every care has been taken to ensure the accuracy of our technical manual. We do not, however, accept responsibility for damage, loss or expense resulting from any error or omission. We reserve the right to make alterations in line with technical advances and industry standards.

Toutes les précautions ont été prises pour garantir la précision de cette notice technique. Toutefois, nous ne saurions accepter de responsabilité à l'égard des dégâts, pertes ou frais résultant d'une quelconque erreur ou omission. Nous nous réservons le droit d'apporter d'éventuelles modifications pouvant résulter de progrès techniques ou de l'évolution des normes industrielles.

Wir möchten Sie darauf hinweisen, dass wir große Sorgfalt darauf verwendet haben, die Richtigkeit unserer technischen Anleitung zu gewährleisten. Wir übernehmen jedoch keine Verantwortung für Schäden, Verluste oder Kosten, die sich aus einem etwaigen Fehler oder einer Auslassung ergeben. Mit dem technischen Fortschritt und Industrienormen einhergehende Änderungen behalten wir uns vor.

Observe que todos os cuidados foram tomados para assegurar a exatidão de nosso manual técnico. No entanto, não nos responsabilizamos por danos, perdas ou despesas resultantes de qualquer erro ou omissão. Reservamo-nos o direito de efetuar alterações em linha com os avanços tecnológicos e as normas da indústria.

Мы делаем все возможное для обеспечения точности нашего технического руководства. Однако мы не несем ответственности за ущерб, убытки или расходы, связанные с ошибками или пропусками в данном документе. Мы оставляем за собой право вносить изменения, обусловленные техническим прогрессом и отраслевыми стандартами.

Contents

1.0 INTRODUCTION	1
2.0 GENERAL SAFETY MESSAGES AND WARNINGS	1
3.0 INSTALLATION	1
Access to terminals	1
4.0 OPERATION	2
Access to controls:	2
Volume control (10J CU1-S units only):	2
Flash rate adjustment (DC supply units only):	2
Tones:	3
Tone selection:	3
CU1 DC wiring configurations	4
CU1 AC wiring configurations	4
Standard Tones:	5
5.0 MAINTENANCE	5
Replacement of the Xenon Tube:	6
6.0 CERTIFICATION/APPROVALS	6
IECEX units	6
ATEX units	6
These units also have the following approvals:	6
7.0 SPECIAL CONDITIONS FOR SAFE USE	6

1.0 Introduction

This range of combined sounders and beacons is intended for use in potentially explosive gas atmospheres and has been designed with high ingress protection to cope with the harsh environmental conditions found offshore and onshore in the oil, gas and petrochemical industries.

The unit is available in two versions suitable for use in the following ambient temperatures:

CU1-S Standard unit – Ex db eb IIB T4 (Tamb -50°C to +50°C) IP66 and IP67

CU1-H High temperature unit – Ex db eb IIB T4 (Tamb -50°C to +70°C) IP66 and IP67

The flamepaths, flare and body are manufactured completely from a UV stable glass reinforced polyester. Stainless steel screws and mounting bracket are incorporated thus ensuring a corrosion free product. Tapered and threaded flamepaths are used to overcome the problems of assembly of parallel spigot flamepaths.

Units can be painted to customer specification and supplied with identification labels.

2.0 General safety messages and warnings

All instructions and safety messages in this manual must be followed to allow safe installation of the device. The device must only be installed and maintained by correctly trained site personnel/installers.

- I. To reduce the risk of ignition of hazardous atmospheres and shock, do not apply power to the device until installation has been completed and the device is fully sealed and secured.
- II. To reduce the risk of ignition of hazardous atmospheres and shock, keep device tightly closed when the circuit is energised.
- III. Before removing the cover for installation or maintenance, ensure that the power to the device is isolated.
- IV. Following installation, test the device to ensure correct operation.
- V. Following installation ensure a copy of this manual is made available to all operating personnel.
- VI. When installing the device, requirements for selection, installation and operation should be referred to e.g. IEE Wiring Regulations and the 'National Electrical Code' in North America. Additional national and/or local requirements may also apply.
- VII. Cable termination should be in accordance with specification applying to the required application. MEDC recommends that all cables and cores should be correctly identified. Please refer to the wiring diagram in this manual (or separate diagram provided with the unit).

- VIII. Ensure that only the correct listed or certified cable glands are used and that the assembly is shrouded and correctly earthed.
- IX. Ensure that only the correct listed or certified stopping plugs are used to blank off unused gland entry points and that the NEMA/IP rating of the unit is maintained.
- X. MEDC recommend the use of a sealing compound such as HYLOMAR PL32 on the threads of all glands and stopping plugs in order to maintain the IP rating of the unit.
- XI. A suitable sealing washer must be fitted to all glands and stopping plugs fitted into the enclosure.
- XII. The internal earth terminal, where fitted, must be used for the equipment grounding and the external terminal, if available, is for a supplementary bonding connection where local codes or authorities permit or require such a connection.
- XIII. When installing the device, MEDC recommends the use of stainless steel fasteners. Ensure that all nuts, bolts and fixings are secure.
- XIV. The unit should be positioned such that debris, dust or water cannot settle in the re-entrant horn.

3.0 Installation

The unit is mounted via the 2 off Ø9mm fixing holes in the U-shaped stirrup/mounting bracket. If required, the unit can be initially placed via the Ø13mm central hole in the stirrup. The unit can then be rotated to the required position and fixed via the other holes.

The two fixing holes have been designed to accept an M8 screw or bolt.

Access to terminals

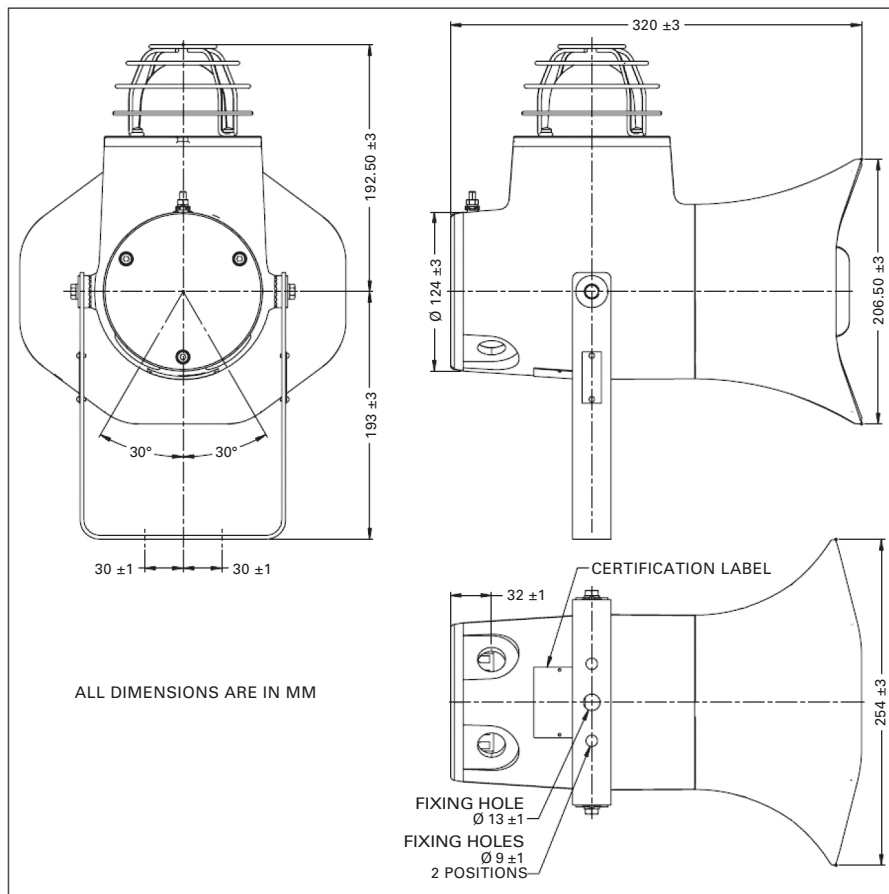
Unscrew the 3 off M5 screws (4.0mm A/F hexagon key) holding the cover assembly to the base. The screws are retained in the cover. Remove cover to gain access to the interior of the terminal chamber.

Once termination is complete, carefully replace the cover back onto the enclosure, avoiding damage to the mating surfaces. Evenly tighten the 3 off M5 screws (4.0mm A/F hexagon key) in the cover, ensuring the maximum torque value for the cover screws is observed, as marked on the Ex e cover. Ensure the O-ring is correctly seated in its groove during re-assembly.

4.0 Operation

The operating voltage of the unit is stated on the unit label.

General arrangement



Access to controls:

The volume control, flash rate selection (where available) and tone selection can be accessed through the lens cover assembly.

Unscrew the socket set screw (2mm A/F hexagon key) in the lens cover three full turns. Unscrew and remove the lens cover. The required adjustments can then be made using the correct PCB mounted controls.

Once the required adjustments have been made, replace the cover using the same procedure as above but in the reverse manner. Care must be taken to avoid damage to the threads and mating faces of the cover and enclosure. Ensure the o-ring is correctly seated on the cover and that the cover is screwed down tightly such that the maximum gap between the cover and enclosure is 0.2mm. Ensure the socket set screw in the cover assembly is fully tightened to secure the cover assembly on the body.

Volume control (10J CU1-S units only):

The volume on both the AC and DC units can be controlled by means of a potentiometer (VR1) mounted on the top face of the xenon PCB. Maximum volume is obtained by

turning the potentiometer fully clockwise. Conversely, turning the potentiometer in an anti-clockwise direction will reduce the volume until no sound will be heard. Do not attempt to adjust the potentiometer beyond its limits as this may cause damage and prevent correct operation of the unit.

Flash rate adjustment (DC supply units only):

The flash rate can be selected by means of a jumper switch mounted on the top face of the xenon PCB accessible through the xenon cover assembly (see the access to controls section for details). Three positions are available for selection (SP, F80 & F120) which provide the following fpm (flashes per minute) rates:

SP – 60 fpm (Standard unless otherwise specified when ordering unit)
F80 – 80 fpm
F120 – 120 fpm

The flash rate of the AC units is preset by MEDC prior to shipping and cannot be adjusted once set.

Tones:

Notes:

- The term 'remote initiate' covers both the telephone initiate and the 24Vdc relay initiate options
- 'Single stage' means that bank 1 of the tone selection switches is enabled allowing the selection of 1 of up to 27 user selectable tones
- 'Dual stage' means that bank 2 of the tone selection switches is also enabled allowing the selection of 1 of up to 27 user selectable tones. The user can switch between the tones selected on banks 1 and 2. Dual stage is only available on DC units.

The unit is available in the following configurations:

1. DC input, single stage sounder, direct initiate, combined sounder/beacon operation
 2. DC input, single stage sounder, remote initiate, combined sounder/beacon operation
 3. DC input, single stage sounder, direct initiate, independent sounder and beacon operation
 4. DC input, dual stage sounder, direct initiate, combined sounder/beacon operation
 5. DC input, dual stage sounder, remote initiate, combined sounder/beacon operation
 6. DC input, dual stage sounder, direct initiate, independent sounder and beacon operation
 7. AC input, single stage sounder, direct initiate, combined sounder/beacon operation
 8. AC input, single stage sounder, remote initiate, combined sounder/beacon operation
 9. AC input, single stage sounder, direct initiate, independent sounder and beacon operation
- **Type 1.** The supply should be connected to T1 (+ve) & T2 (-ve), loop out on T3 & T4 respectively.
 - **Type 2.** The supply should be connected to T1 (+ve) & T2 (-ve), loop out on T3 & T4 respectively. The initiate supply should be connected to T5 (+ve / live) & T6 (-ve / neutral), loop out on T7 & T8 respectively.
 - **Type 3.** The supply should be connected to T1 (sounder +ve) & T2 (common -ve), loop out on T3 & T4 respectively. The independent +ve supply for the beacon should be connected to T7, loop out on T8.
 - **Type 4.** The supply should be connected to T1 (common +ve), T2 (-ve) & T3 (-ve 2), loop out on T4, T5 & T6 respectively. Alternatively an EOL resistor can be connected to T4, T5 or T4, T6.

- **Type 5.** The supply should be connected to T1 (+ve) & T2 (-ve), loop out on T3, T4 respectively. The initiate supply should be connected to T5 (+ve / live) & T6 (-ve / neutral), loop out on T7 & T8 respectively.
- **Type 6.** The supply should be connected to T1 (sounder +ve), T2 (common -ve1) & T3 (common -ve2), loop out on T4, T5 & T6 respectively. The independent +ve supply for the beacon should be connected to T7, loop out on T8.
- **Type 7.** The supply should be connected to T1 (L) & T2 (N), loop out on T3 & T4 respectively.
- **Type 8.** The supply should be connected to T1 (L) & T2 (N), loop out on T3 & T4 respectively. The initiate supply should be connected to T5 (+ve / live) T6 (-ve / neutral), loop out on T7 & T8 respectively.
- **Type 9.** The supply for the sounder should be connected to T1 (L) & T2 (N), loop out on T3 & T4 respectively. The supply for the beacon should be connected to T5 (L) & T6 (N), loop out on T7 & T8 respectively

The dual stage units can be switched between the two stages by either:

- a. Reversing the polarity of the supply (2 wire connection), or
 - b. Connecting as a three wire common +ve system and switching between the two -ve lines
- i.e. with T1 (+ve) & T2 (-ve), stage 1 is active
- a. With T1 (-ve) & T2 (+ve) stage 2 is active or
 - b. With T1 (+ve) & T3 (-ve) stage 2 is active

Note: With type 5 units (see details above), the dual stage sounder will only be connected with 2 wires and the second stage can only be selected by reversing the polarity (option a. above)

Tone selection:

On the AC input units, the required tone is selected by means of a 5-way DIL switch mounted on the top face of the xenon PCB assembly

On the DC input units, tone 1 & 2 are selected using the two 5-way DIL switches (marked SW1 & SW2) mounted on the top face of the xenon PCB assembly

CU1 DC wiring configurations

<table border="1"> <tr><td>+VE IN</td><td>1</td></tr> <tr><td>-VE IN</td><td>2</td></tr> <tr><td>+VE OUT</td><td>3</td></tr> <tr><td>-VE OUT</td><td>4</td></tr> <tr><td>NOT USED</td><td>5</td></tr> <tr><td>NOT USED</td><td>6</td></tr> <tr><td>NOT USED</td><td>7</td></tr> <tr><td>NOT USED</td><td>8</td></tr> </table> <p>SINGLE STAGE OPERATION</p>	+VE IN	1	-VE IN	2	+VE OUT	3	-VE OUT	4	NOT USED	5	NOT USED	6	NOT USED	7	NOT USED	8	<table border="1"> <tr><td>+VE IN</td><td>1</td></tr> <tr><td>-VE IN</td><td>2</td></tr> <tr><td>+VE OUT</td><td>3</td></tr> <tr><td>-VE OUT</td><td>4</td></tr> <tr><td>REMOTE +VE / LIVE IN</td><td>5</td></tr> <tr><td>REMOTE -VE / NEUTRAL IN</td><td>6</td></tr> <tr><td>REMOTE +VE / LIVE OUT</td><td>7</td></tr> <tr><td>REMOTE -VE / NEUTRAL OUT</td><td>8</td></tr> </table> <p>SINGLE STAGE OPERATION WITH REMOTE INITIATE</p>	+VE IN	1	-VE IN	2	+VE OUT	3	-VE OUT	4	REMOTE +VE / LIVE IN	5	REMOTE -VE / NEUTRAL IN	6	REMOTE +VE / LIVE OUT	7	REMOTE -VE / NEUTRAL OUT	8	<table border="1"> <tr><td>SOUNDER +VE IN</td><td>1</td></tr> <tr><td>SOUNDER -VE IN</td><td>2</td></tr> <tr><td>SOUNDER +VE OUT</td><td>3</td></tr> <tr><td>SOUNDER -VE OUT</td><td>4</td></tr> <tr><td>NOT USED</td><td>5</td></tr> <tr><td>NOT USED</td><td>6</td></tr> <tr><td>BEACON +VE IN</td><td>7</td></tr> <tr><td>BEACON +VE OUT</td><td>8</td></tr> </table> <p>SINGLE STAGE WITH INDEPENDENT OPERATION</p>	SOUNDER +VE IN	1	SOUNDER -VE IN	2	SOUNDER +VE OUT	3	SOUNDER -VE OUT	4	NOT USED	5	NOT USED	6	BEACON +VE IN	7	BEACON +VE OUT	8
+VE IN	1																																																	
-VE IN	2																																																	
+VE OUT	3																																																	
-VE OUT	4																																																	
NOT USED	5																																																	
NOT USED	6																																																	
NOT USED	7																																																	
NOT USED	8																																																	
+VE IN	1																																																	
-VE IN	2																																																	
+VE OUT	3																																																	
-VE OUT	4																																																	
REMOTE +VE / LIVE IN	5																																																	
REMOTE -VE / NEUTRAL IN	6																																																	
REMOTE +VE / LIVE OUT	7																																																	
REMOTE -VE / NEUTRAL OUT	8																																																	
SOUNDER +VE IN	1																																																	
SOUNDER -VE IN	2																																																	
SOUNDER +VE OUT	3																																																	
SOUNDER -VE OUT	4																																																	
NOT USED	5																																																	
NOT USED	6																																																	
BEACON +VE IN	7																																																	
BEACON +VE OUT	8																																																	
<table border="1"> <tr><td>+VE IN</td><td>1</td></tr> <tr><td>-VE 1 IN</td><td>2</td></tr> <tr><td>-VE 2 IN</td><td>3</td></tr> <tr><td>+VE OUT</td><td>4</td></tr> <tr><td>-VE 1 OUT</td><td>5</td></tr> <tr><td>-VE 2 OUT</td><td>6</td></tr> <tr><td>NOT USED</td><td>7</td></tr> <tr><td>NOT USED</td><td>8</td></tr> </table> <p>DUAL STAGE OPERATION 3-WIRE CONNECTION</p>	+VE IN	1	-VE 1 IN	2	-VE 2 IN	3	+VE OUT	4	-VE 1 OUT	5	-VE 2 OUT	6	NOT USED	7	NOT USED	8	<table border="1"> <tr><td>+VE IN</td><td>1</td></tr> <tr><td>-VE IN</td><td>2</td></tr> <tr><td>+VE OUT</td><td>3</td></tr> <tr><td>-VE OUT</td><td>4</td></tr> <tr><td>REMOTE +VE / LIVE IN</td><td>5</td></tr> <tr><td>REMOTE -VE / NEUTRAL IN</td><td>6</td></tr> <tr><td>REMOTE +VE / LIVE OUT</td><td>7</td></tr> <tr><td>REMOTE -VE / NEUTRAL OUT</td><td>8</td></tr> </table> <p>DUAL STAGE OPERATION WITH REMOTE INITIATE</p>	+VE IN	1	-VE IN	2	+VE OUT	3	-VE OUT	4	REMOTE +VE / LIVE IN	5	REMOTE -VE / NEUTRAL IN	6	REMOTE +VE / LIVE OUT	7	REMOTE -VE / NEUTRAL OUT	8	<table border="1"> <tr><td>SOUNDER +VE IN</td><td>1</td></tr> <tr><td>COMMON -VE 1 IN</td><td>2</td></tr> <tr><td>COMMON -VE 2 IN</td><td>3</td></tr> <tr><td>SOUNDER +VE OUT</td><td>4</td></tr> <tr><td>COMMON -VE 1 OUT</td><td>5</td></tr> <tr><td>COMMON -VE 2 OUT</td><td>6</td></tr> <tr><td>BEACON +VE IN</td><td>7</td></tr> <tr><td>BEACON +VE OUT</td><td>8</td></tr> </table> <p>DUAL STAGE WITH INDEPENDENT OPERATION</p>	SOUNDER +VE IN	1	COMMON -VE 1 IN	2	COMMON -VE 2 IN	3	SOUNDER +VE OUT	4	COMMON -VE 1 OUT	5	COMMON -VE 2 OUT	6	BEACON +VE IN	7	BEACON +VE OUT	8
+VE IN	1																																																	
-VE 1 IN	2																																																	
-VE 2 IN	3																																																	
+VE OUT	4																																																	
-VE 1 OUT	5																																																	
-VE 2 OUT	6																																																	
NOT USED	7																																																	
NOT USED	8																																																	
+VE IN	1																																																	
-VE IN	2																																																	
+VE OUT	3																																																	
-VE OUT	4																																																	
REMOTE +VE / LIVE IN	5																																																	
REMOTE -VE / NEUTRAL IN	6																																																	
REMOTE +VE / LIVE OUT	7																																																	
REMOTE -VE / NEUTRAL OUT	8																																																	
SOUNDER +VE IN	1																																																	
COMMON -VE 1 IN	2																																																	
COMMON -VE 2 IN	3																																																	
SOUNDER +VE OUT	4																																																	
COMMON -VE 1 OUT	5																																																	
COMMON -VE 2 OUT	6																																																	
BEACON +VE IN	7																																																	
BEACON +VE OUT	8																																																	

CU1 AC wiring configurations

<table border="1"> <tr><td>LIVE IN</td><td>1</td></tr> <tr><td>NEUTRAL IN</td><td>2</td></tr> <tr><td>LIVE OUT</td><td>3</td></tr> <tr><td>NEUTRAL OUT</td><td>4</td></tr> <tr><td>NOT USED</td><td>5</td></tr> <tr><td>NOT USED</td><td>6</td></tr> <tr><td>NOT USED</td><td>7</td></tr> <tr><td>NOT USED</td><td>8</td></tr> </table> <p>SINGLE STAGE OPERATION</p>	LIVE IN	1	NEUTRAL IN	2	LIVE OUT	3	NEUTRAL OUT	4	NOT USED	5	NOT USED	6	NOT USED	7	NOT USED	8	<table border="1"> <tr><td>LIVE IN</td><td>1</td></tr> <tr><td>NEUTRAL IN</td><td>2</td></tr> <tr><td>LIVE OUT</td><td>3</td></tr> <tr><td>NEUTRAL OUT</td><td>4</td></tr> <tr><td>REMOTE +VE / LIVE IN</td><td>5</td></tr> <tr><td>REMOTE -VE / NEUTRAL IN</td><td>6</td></tr> <tr><td>REMOTE +VE / LIVE OUT</td><td>7</td></tr> <tr><td>REMOTE -VE / NEUTRAL OUT</td><td>8</td></tr> </table> <p>SINGLE STAGE OPERATION WITH REMOTE INITIATE</p>	LIVE IN	1	NEUTRAL IN	2	LIVE OUT	3	NEUTRAL OUT	4	REMOTE +VE / LIVE IN	5	REMOTE -VE / NEUTRAL IN	6	REMOTE +VE / LIVE OUT	7	REMOTE -VE / NEUTRAL OUT	8
LIVE IN	1																																
NEUTRAL IN	2																																
LIVE OUT	3																																
NEUTRAL OUT	4																																
NOT USED	5																																
NOT USED	6																																
NOT USED	7																																
NOT USED	8																																
LIVE IN	1																																
NEUTRAL IN	2																																
LIVE OUT	3																																
NEUTRAL OUT	4																																
REMOTE +VE / LIVE IN	5																																
REMOTE -VE / NEUTRAL IN	6																																
REMOTE +VE / LIVE OUT	7																																
REMOTE -VE / NEUTRAL OUT	8																																
<table border="1"> <tr><td rowspan="4">BEACON</td><td rowspan="4">}</td><td>LIVE IN</td><td>1</td></tr> <tr><td>NEUTRAL IN</td><td>2</td></tr> <tr><td>LIVE OUT</td><td>3</td></tr> <tr><td>NEUTRAL OUT</td><td>4</td></tr> <tr><td rowspan="4">SOUNDER</td><td rowspan="4">}</td><td>LIVE IN</td><td>5</td></tr> <tr><td>NEUTRAL IN</td><td>6</td></tr> <tr><td>LIVE OUT</td><td>7</td></tr> <tr><td>NEUTRAL OUT</td><td>8</td></tr> </table> <p>SINGLE STAGE OPERATION WITH INDEPENDENT OPERATION</p>	BEACON	}	LIVE IN	1	NEUTRAL IN	2	LIVE OUT	3	NEUTRAL OUT	4	SOUNDER	}	LIVE IN	5	NEUTRAL IN	6	LIVE OUT	7	NEUTRAL OUT	8													
BEACON			}	LIVE IN	1																												
				NEUTRAL IN	2																												
				LIVE OUT	3																												
	NEUTRAL OUT	4																															
SOUNDER	}	LIVE IN	5																														
		NEUTRAL IN	6																														
		LIVE OUT	7																														
		NEUTRAL OUT	8																														

Standard Tones:

See table below for details of the switch settings for the standard tones. Positions 28 – 32 are reserved for customer specific tones. If the unit has been specified with customer specific tones, see separate tones list sent with unit for further details.

Table 1

Tone no.	Tone freq/description	Switch setting 12345	Tone description	Nominal SPL (dB(A) @ 1M)
1	Alt Tones 800/970 Hz at 1/4 sec	11111		114
2	Sweeping 800/970 Hz at 7 Hz	11110	Fast Sweep (LF)	114
3	Sweeping 800/970 Hz at 1 Hz	11101	Medium Sweep (LF)	114
4	Continuous at 2850 Hz	11100		109
5	Sweeping 2400-2850 Hz at 7 Hz	11011	Fast Sweep	114
6	Sweeping 2400-2850 Hz at 1 Hz	11010		114
7	Slow Whoop	11001	Slow Whoop	115
8	Sweep 1200-500 Hz at 1 Hz	11000	Din Tone	115
9	Alt Tones 2400/2850 Hz at 2 Hz	10111		111
10	Int Tone of 970 Hz at 1 Hz	10110	Back-up Alarm (LF)	114
11	Alt Tones 800/970 Hz at 7/8 Hz	10101		114
12	Int Tone at 2850 Hz at 1Hz	10100	Back-up Alarm (HF)	109
13	970 Hz at 1/4 sec on 1 sec off	10011		114
14	Continuous at 970 Hz	10010		114
15	554 Hz for 0.1S/440 Hz for 0.4S	10001	French Fire Sound	101
16	Int 660 Hz 150 ms on 150 ms off	10000	Swedish Fire Alarm	106
17	Int 660 Hz 1.8 sec on 1.8 sec off	01111	Swedish Fire Alarm	106
18	Int 660 Hz 6.5 sec on 13 sec off	01110	Swedish Fire Alarm	104
19	Continuous 660 Hz	01101	Swedish Fire Alarm	106
20	Alt 554/440 Hz at 1 Hz	01100	Swedish Fire Alarm	100
21	Int 660 Hz at 7/8 Hz	01011	Swedish Fire Alarm	106
22	Int 2850 Hz 150 ms on 100 ms off	01010	Pelican Crossing	109
23	Sweep 800-970 Hz at 50 Hz	01001	Low Freq. Buzz	113
24	Sweep 2400 -2850 Hz at 50 Hz	01000	High Freq. Buzz	112
25	3x970 Hz pulses 0.5 off, 1.5 off	00111		113
26	3x2850 Hz pulses 0.5on/0.5off, 1.5 off	00110		109
27	Int 3100 Hz 0.32s on/0.68s off	00101		110
28	Spare / Customer special tone	00100		
29	Spare / Customer special tone	00011		
30	Spare / Customer special tone	00010		
31	Spare / Customer special tone	00001		
32	Spare / Customer special tone	00000		

5.0 Maintenance

During the working life of the unit, it should require little or no maintenance. GRP will resist attack by most acids, alkalis and chemicals and is as resistant to concentrated acids and alkalis as most metal products.

However, if abnormal or unusual environmental conditions occur due to plant damage or accident etc., then visual inspection is recommended.

If a unit fault should occur, then the unit can be repaired by MEDC. All parts of the unit are replaceable.

If you acquired a significant quantity of units, then it is recommended that spares are also made available.

Please discuss your requirements with the Technical Sales Engineers at MEDC.

Replacement of the xenon tube (see below) can be carried out by competent site personnel. Other repairs should be undertaken by returning the unit to MEDC.

During maintenance, if the cover/lens assembly grease needs to be re-applied, a PFPE (Perfluoropolyether) based grease such as Krytox GPL203 by DuPont or Perfluorolube 22/6 by Performance Fluids Ltd should be used, to prevent damage to the O-ring.

Replacement of the Xenon Tube:

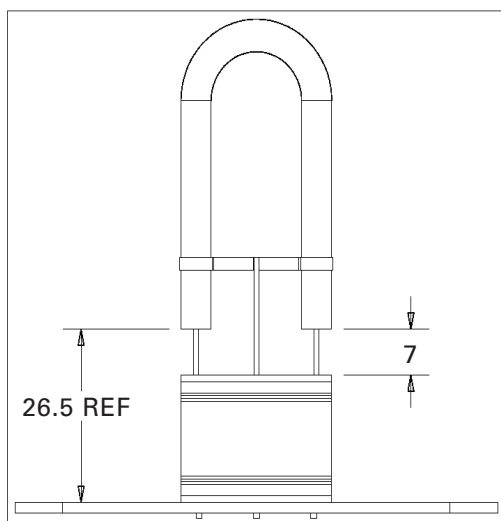
Caution: Before removing the cover assembly, ensure that the power to the unit has been isolated

Unscrew the socket set screw (2mm A/F hexagon key) in the lens cover three full turns. Unscrew and remove the lens cover.

Remove the old tube by unscrewing the tube terminal block screws. The replacement xenon can now be fitted in to the terminal block provided. If the replacement tube has a flexible trigger wire, ensure the tube is fitted into the terminal block in the same orientation as the original tube.

Note: the legs of the replacement tube may need to be trimmed to allow the tube to be positioned at the correct height from the terminal block. See diagram below:

Once the required adjustments have been made, replace the cover using the same procedure as above but in the reverse manner. Care must be taken to avoid damage to the threads and mating faces of the cover and enclosure. Ensure the o-ring is correctly seated on the cover and that the cover is screwed down tightly such that the maximum gap between the cover and enclosure is 0.2mm. Ensure the socket set screw in the cover assembly is fully tightened to secure the cover assembly on the body.



6.0 Certification/Approvals

IECEx units

Certified to IEC60079-0, IEC60079-1 and IEC60079-7

Ex de unit (IEC certification No. IECEx BAS 11.0149X)

CU1-S - Ex db eb IIB T4 (-50°C to +50°C) Gb

CU1-H - Ex db eb IIB T4 (-50°C to +70°C) Gb

The IECEx certificate and product label carry the IECEx equipment protection level marking

Gb

Where Gb signifies suitability for use in a Zone 1 surface industries area in the presence of gas.

ATEX units

Certified to EN60079-0, EN60079-1 and EN60079-7

Ex d unit (ATEX certification No. Baseefa04ATEX0273X)

CU1-S - Ex db eb IIB T4 (-50°C to +50°C) Gb

CU1-H - Ex db eb IIB T4 (-50°C to +70°C) Gb

The ATEX certificate and product label carry the ATEX group and category marking:

 II 2 G

Where:



Signifies compliance with ATEX

II Signifies suitability for use in surface industries

2 Signifies suitability for use in a zone 1 area

G Signifies suitability for use in the presence of gases

These units also have the following approvals:

Ingress protection: IP66 to BS EN 60529 & IP67 to IEC60529

7.0 Special conditions for safe use:

1. Painting and surface finishes, other than those applied by the manufacturer are not permitted
2. Not more than one single or multiple strand lead shall be connected into either side of any terminal, unless multiple conductors have been joined in a suitable manner, e.g. two conductors into a single insulated crimped boot lace ferrule
3. Leads connected to the terminals shall be insulated for at least 275V and this insulation shall extend to within 1mm of the metal of the terminal throat
4. All terminal screws, used and unused, shall be fully tightened down
5. Minimum creepage and clearance distances between the terminals and adjacent conductive parts (including cable entry devices) must be at least 5mm
6. Any cable entry devices or stopping plugs shall be selected and installed to maintain the minimum (IP54) integrity of the enclosure
7. For replacement purposes, the flare fixing screws shall be of stainless steel minimum grade A2-70

Table des matières

1.0 INTRODUCTION	16
2.0 MESSAGES ET AVERTISSEMENTS GÉNÉRAUX DE SÉCURITÉ	16
3.0 INSTALLATION	16
Accéder aux bornes	16
4.0 FONCTIONNEMENT	17
Accès aux commandes	17
Contrôle du volume (Unités 10J CU1-S uniquement) :	17
Ajustement de la vitesse de clignotement (unités à alimentation CC uniquement) :	17
Tonalités:	18
Sélection de tonalité :	18
Configurations de câblage CC CU1	19
Configurations de câblage CA CU1	19
Sonorités standard :	20
5.0 MAINTENANCE	20
Remplacement du tube au xénon :	20
6.0 CERTIFICATION/ APPROBATIONS	21
Unité IECEx	21
Unité ATEX	21
Ces unités ont également les autorisations suivantes:	21
7.0 CONDITIONS SPECIALES POUR UNE UTILISATION EN TOUTE SECURITE	22

1.0 Introduction

Cette gamme d'unités combinées d'avertisseurs sonores et de feux a été conçue pour une utilisation dans des atmosphères à gaz potentiellement explosives et avec une protection élevée contre la pénétration afin de pouvoir endurer les conditions environnementales rigoureuses trouvées off-shore et à terre dans les industries du pétrole, du gaz et de la pétrochimie.

L'unité est disponible en deux versions, adéquates pour l'utilisation dans les groupes de gaz suivants :

Unité Standard CU1-S – Ex db eb IIB T4 (Tamb -50°C à + 50°C). IP66 et IP67

Unité Haute Température CU1-H – Ex db eb IIB T4 (Tamb -50°C à + 70°C). IP66 et IP67

Les voies de flammes, le tube rebord et le boîtier sont entièrement construits en polyester renforcé à fibres de verre, stable aux U.V. Des vis et supports en acier inoxydable sont utilisés afin de garantir une résistance totale à la corrosion. Des voies de flamme filetées et coniques sont utilisées pour éviter le problème de montage de voies de flamme à emboîtement parallèle.

Les unités peuvent être peintes suivant les spécifications du client et fournies avec étiquettes d'identification.

2.0 Messages et avertissements généraux de sécurité

Suivre toutes les instructions et messages de sécurité contenus dans ce manuel pour permettre l'installation sécurisée de l'appareil. L'appareil doit être exclusivement installé et entretenu par du personnel/des installateurs sur site proprement formés.

- VIII. Pour réduire le risque d'incendie dans des atmosphères dangereuses et de décharges, ne pas mettre l'appareil sous tension avant d'avoir terminé l'installation et avant de l'avoir parfaitement scellé et sécurisé.
- IX. Pour réduire le risque d'incendie dans des atmosphères dangereuses et de décharges, maintenir l'appareil totalement fermé lors de la mise sous tension du circuit.
- X. Avant de retirer le couvercle pour toute opération d'installation ou d'entretien, s'assurer que l'alimentation de l'appareil est isolée.
- XI. Une fois l'installation terminée, tester l'appareil pour s'assurer de son bon fonctionnement.
- XII. Une fois l'installation terminée, s'assurer qu'une copie de ce manuel est mise à la disposition de tous les opérateurs.
- XIII. Lors de l'installation de l'appareil, se rapporter aux exigences de sélection, d'installation et de fonctionnement : aux Réglementations de câblage de l'IEE et au code national d'électricité américain (NEC) pour l'Amérique du Nord, par exemple. Des exigences nationales et/ou locales supplémentaires peuvent également s'appliquer.

- XIV. Les terminaisons de câble doivent être conformes aux exigences spécifiques de l'application requise. MEDC recommande que tous les câbles et conducteurs soient correctement identifiés. Merci de se rapporter au schéma de câblage fourni dans ce manuel (ou au schéma spécifique fourni avec l'unité).
- XV. S'assurer de n'utiliser que les presses étoupes spécifiées ou certifiées, et du bon revêtement et mise à la terre de l'assemblage.
- XVI. S'assurer de n'utiliser que les bouchons obturateurs spécifiés ou certifiés pour obturer les entrées de presses étoupes non utilisées, et que les normes NEMA/de protection IP de l'unité sont maintenues.
- XVII. MEDC recommande l'utilisation d'une pâte d'étanchéité telle que HYLOMAR PL32 sur tous les filetages des presses étoupes et des bouchons obturateurs, afin de maintenir les normes de protection IP de l'unité.
- XVIII. Une rondelle d'étanchéité adaptée doit être montée sur tous les presses étoupes et la bouchons obturateurs présents dans le boîtier.
- XIX. La borne de masse interne, si l'unité en est équipée, doit être utilisée pour la mise à la terre de l'équipement, et la borne externe, si disponible, constitue une fixation supplémentaire à la borne de terre lorsque les normes ou autorités locales permettent ou exigent une telle connexion.
- XX. MEDC recommande l'utilisation d'éléments de fixation en acier inoxydable lors de l'installation de l'appareil. S'assurer que tous les écrous, les boulons et les fixations sont sécurisés.
- XXI. L'unité doit être positionnée de façon que les débris, la poussière ou l'eau ne puissent pas pénétrer dans le pavillon.

3.0 Installation

Le CU1 se fixe au moyen des deux trous de 9mm prévus à cet effet sur le support. Si nécessaire, le haut-parleur peut être installé en utilisant le trou central de 13 mm de diamètre. Le haut-parleur peut ainsi être orienté suivant les besoins puis fixé en position au moyen des deux autres trous.

Les deux trous de fixation ont été conçus pour accepter une vis ou un boulon M8.

Accéder aux bornes

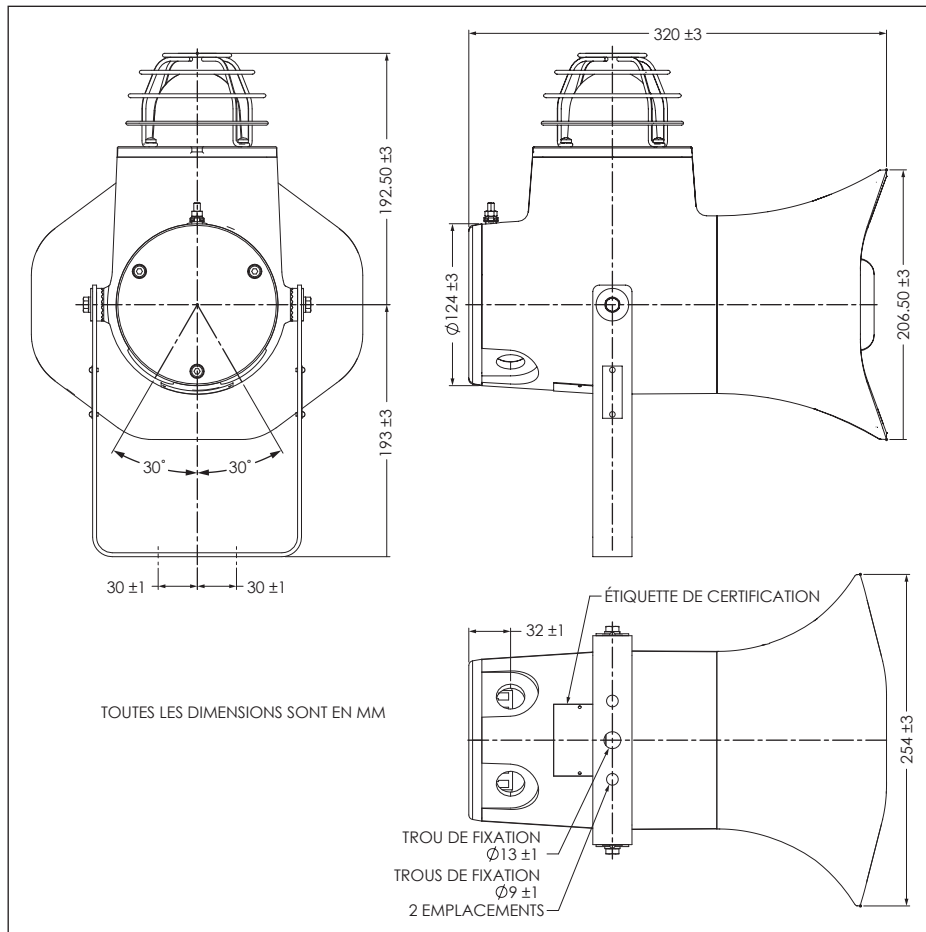
Dévisser les 3 vis non imperdables M5 (à l'aide d'une clé hexagonale/à 6 pans de 4 mm) qui fixent le couvercle au socle. Les vis ne se dégageront pas du couvercle. Retirer le couvercle pour accéder à l'intérieur de la boîte de raccordement.

Une fois l'opération de terminaison des câbles terminée, remettre le couvercle en place sur le boîtier en faisant attention à ne pas endommager les surfaces de contact. Serrez uniformément les vis M5 (clé hexagonale A/F de 4,00mm) du couvercle en respectant leur valeur de couple maximal indiqué sur le couvercle Ex e. Assurez-vous que le joint torique soit correctement placé sur la rainure lors du remontage.

4.0 Fonctionnement

La tension d'alimentation est indiquée sur l'étiquette.

Disposition Générale



Accès aux commandes

L'accès au contrôle du volume, à la sélection de la vitesse de clignotement (si disponible) et à la sélection de la tonalité se fait par le couvercle de lentille.

Dévisser la vis de blocage (à l'aide d'une clé hexagonale/à 6 pans de 2 mm) dans le couvercle de lentille en trois tours complets. Dévisser et retirer le couvercle de lentille. Les ajustements nécessaires peuvent être effectués en utilisant les commandes PCB appropriées.

Une fois les ajustements nécessaires effectués, remettre le couvercle en place en suivant la même procédure que celle indiquée ci-dessus, mais dans l'ordre inverse. Prendre des précautions pour ne pas endommager les filetages et les surfaces de contact du couvercle et du boîtier. S'assurer que le joint torique est bien positionné dans le couvercle et que le couvercle est suffisamment fixé pour que l'espace entre le couvercle et le boîtier n'excède pas 0,2 mm. S'assurer que la vis de blocage dans le couvercle est serrée à fond afin de sécuriser la fixation du couvercle au boîtier.

Contrôle du volume (Unités 10J CU1-S uniquement) :

Le volume sur les deux unités CA et CC peut être commandé au moyen d'un potentiomètre (VR1) monté sur la face supérieure de la carte de circuit imprimé du feu au xénon. Le volume maximal est obtenu en tournant le potentiomètre à fond dans le sens des aiguilles d'une montre. Inversement, tourner le potentiomètre dans le sens inverse des aiguilles d'une montre réduira le volume jusqu'à ce que plus aucun son ne soit entendu. Ne pas essayer de régler le potentiomètre au-delà de ses limites, car ceci pourrait endommager l'unité et empêcher le fonctionnement correct de l'unité.

Ajustement de la vitesse de clignotement (unités à alimentation CC uniquement) :

La vitesse de clignotement peut être sélectionnée par l'intermédiaire d'un interrupteur installé sur le dessus du xénon PCB (voir la section Accès aux commandes pour plus amples détails). Trois positions sont disponibles (SP, F80 & F120) pour fournir les taux de clignotement par minute (CPM) suivants:

SP – 60 fpm (Standard, à moins qu'autrement spécifié lors de la commande de l'unité)

F80 – 80 fpm

F120 – 120 fpm

La vitesse de clignotement de la version CA est pré-réglée par MEDC avant l'expédition et ne peut pas être ajustée. Pour les détails d'accès au contrôle de la vitesse de clignotement, se reporter à la section 3e ci-dessous.

Tonalités :

Remarque :-

- Le terme « déclenchement à distance » traite des options de déclenchement du téléphone aussi bien que du déclenchement du relais 24 VDC
- Une position signifie que la rangée 1 des commutateurs de sélection de tonalité est activée permettant la sélection de 1 à 27 tonalités par l'utilisateur
- Deux positions signifie que la rangée 2 des commutateurs de sélection de tonalité est activée permettant la sélection de 1 à 27 tonalités par l'utilisateur. L'utilisateur peut alors passer entre la tonalité sélectionnée dans la rangée 1 et la rangée 2. Option à deux phases uniquement disponible sur les unités à alimentation CC.

L'unité est disponible dans les configurations suivantes

Type 1. Entrée CC, résonateur une position, résonateur combiné/opération balise

Type 2. Entrée CC, résonateur une position, déclenchement à distance, résonateur combiné/opération balise

Type 3. Entrée CC, résonateur une position avec résonateur indépendant/opération balise

Type 4. Entrée CC, résonateur deux positions, résonateur combiné/opération balise

Type 5. Entrée CC, résonateur deux positions, déclenchement à distance, résonateur combiné/opération balise

Type 6. Entrée CC, résonateur deux positions avec résonateur indépendant/opération balise

Type 7. Entrée CA, résonateur une position, résonateur combiné/opération balise

Type 8. Entrée AC, résonateur une position, déclenchement à distance, résonateur combiné/opération balise

Type 9. Entrée AC, résonateur une position avec résonateur indépendant/opération balise

- **Type 1.** L'alimentation doit être connectée à T1 (+ve) et T2 (-ve), et utiliser les loop out sur T3 et T4 respectivement.
- **Type 2.** L'alimentation doit être connectée à T1 (+ve) et T2 (-ve), et utiliser les loop out sur T3 et T4 respectivement. L'alimentation du déclenchement doit être connectée à T5 (+ve / sous tension) & T6 (-ve / neutre), et utiliser les loop out sur T7 et T8 respectivement.

- **Type 3.** L'alimentation doit être connectée à T1 (résonateur +ve) et T2 (usuel -ve), et utiliser les loop out sur T3 et T4 respectivement. L'alimentation +ve indépendante pour la balise doit être connectée à T7, et utiliser le loop out sur T8.
- **Type 4.** L'alimentation doit être connectée à T1 (usuel +ve), T2 (-ve), et T3 (-ve 2), et utiliser les loop out sur T4, T5 et T6 respectivement. De façon alternative une résistance EOL peut être connectée à T4, T5 ou T4, T6.
- **Type 5.** L'alimentation doit être connectée à T1 (+ve) et T2 (-ve), et utiliser les loop out sur T3, T4 respectivement. L'alimentation du déclenchement doit être connectée à T5 (+ve / sous tension) & T6 (-ve / neutre), et utiliser les loop out sur T7 et T8 respectivement.
- **Type 6.** L'alimentation doit être connectée à T1 (résonateur +ve), T2 (usuel -ve1) et T3 (usuel -ve2) et utiliser les loop out sur T4, T5 et T6 respectivement. L'alimentation +ve indépendante pour la balise doit être connectée à T7, et utiliser le loop out sur T8.
- **Type 7.** L'alimentation doit être connectée à T1 (ST) et T2 (N), et utiliser les loop out sur T3 et T4 respectivement.
- **Type 8.** L'alimentation doit être connectée à T1 (ST) et T2 (N), et utiliser les loop out sur T3 et T4 respectivement. L'alimentation du déclenchement doit être connectée à T5 (+ve / sous tension) T6 (-ve / neutre), et utiliser les loop out sur T7 et T8 respectivement.
- **Type 9.** L'alimentation pour le résonateur doit être connectée à T1 (ST) et T2 (N), et utiliser les loop out sur T3 et T4 respectivement. L'alimentation

Les unités doubles de scène peuvent être commutées entre les deux étapes soit:

- a) En renversant la polarité de l'alimentation (2 fils) ou,
- b) Connexion en tant que système de passe à trois fils commun + et la commutation entre les deux lignes-VE.

Remarque : avec les unités de type 5 (voir détails ci-dessus), la sonde à deux phases ne sera connectée qu'avec 2 câbles et la phase suivante ne pourra être sélectionnée qu'en inversant la polarité (option a. ci-dessus)

Sélection de tonalité :

Sur les versions CA, la tonalité nécessaire est choisie en utilisant un commutateur DIL à 5 voies monté sur la face supérieure de la carte de circuit imprimé du feu au xénon. Sur les versions CC, les tonalités 1 et tonalité 2 sont choisies en utilisant les deux commutateurs DIL à 5 voies (marqués SW1 et SW2), montés sur la face supérieure de la carte de circuit imprimé du feu au xénon.

Configurations de câblage CC CU1

<table border="1"> <tr><td>+VE EN ENTRÉE</td><td>1</td></tr> <tr><td>-VE EN ENTRÉE</td><td>2</td></tr> <tr><td>+VE EN SORTIE</td><td>3</td></tr> <tr><td>-VE EN SORTIE</td><td>4</td></tr> <tr><td>NON UTILISÉ</td><td>5</td></tr> <tr><td>NON UTILISÉ</td><td>6</td></tr> <tr><td>NON UTILISÉ</td><td>7</td></tr> <tr><td>NON UTILISÉ</td><td>8</td></tr> </table> <p>FONCTIONNEMENT À UNE PHASE</p>	+VE EN ENTRÉE	1	-VE EN ENTRÉE	2	+VE EN SORTIE	3	-VE EN SORTIE	4	NON UTILISÉ	5	NON UTILISÉ	6	NON UTILISÉ	7	NON UTILISÉ	8	<table border="1"> <tr><td>+VE EN ENTRÉE</td><td>1</td></tr> <tr><td>-VE EN ENTRÉE</td><td>2</td></tr> <tr><td>+VE EN SORTIE</td><td>3</td></tr> <tr><td>-VE EN SORTIE</td><td>4</td></tr> <tr><td>+VE DISTANT / PHASE D'ENTRÉE</td><td>5</td></tr> <tr><td>-VE DISTANT / NEUTRE D'ENTRÉE</td><td>6</td></tr> <tr><td>+VE DISTANT / PHASE EN SORTIE</td><td>7</td></tr> <tr><td>-VE DISTANT / NEUTRE EN SORTIE</td><td>8</td></tr> </table> <p>FONCTIONNEMENT À UNE PHASE AVEC DÉMARRAGE À DISTANCE</p>	+VE EN ENTRÉE	1	-VE EN ENTRÉE	2	+VE EN SORTIE	3	-VE EN SORTIE	4	+VE DISTANT / PHASE D'ENTRÉE	5	-VE DISTANT / NEUTRE D'ENTRÉE	6	+VE DISTANT / PHASE EN SORTIE	7	-VE DISTANT / NEUTRE EN SORTIE	8	<table border="1"> <tr><td>ENTRÉE +VE DU SONDEUR</td><td>1</td></tr> <tr><td>ENTRÉE -VE DU SONDEUR</td><td>2</td></tr> <tr><td>SORTIE +VE DU SONDEUR</td><td>3</td></tr> <tr><td>SORTIE -VE DU SONDEUR</td><td>4</td></tr> <tr><td>NON UTILISÉ</td><td>5</td></tr> <tr><td>NON UTILISÉ</td><td>6</td></tr> <tr><td>ENTRÉE +VE DE LA BALISE</td><td>7</td></tr> <tr><td>SORTIE +VE DE LA BALISE</td><td>8</td></tr> </table> <p>FONCTIONNEMENT INDÉPENDANT À UNE PHASE</p>	ENTRÉE +VE DU SONDEUR	1	ENTRÉE -VE DU SONDEUR	2	SORTIE +VE DU SONDEUR	3	SORTIE -VE DU SONDEUR	4	NON UTILISÉ	5	NON UTILISÉ	6	ENTRÉE +VE DE LA BALISE	7	SORTIE +VE DE LA BALISE	8
+VE EN ENTRÉE	1																																																	
-VE EN ENTRÉE	2																																																	
+VE EN SORTIE	3																																																	
-VE EN SORTIE	4																																																	
NON UTILISÉ	5																																																	
NON UTILISÉ	6																																																	
NON UTILISÉ	7																																																	
NON UTILISÉ	8																																																	
+VE EN ENTRÉE	1																																																	
-VE EN ENTRÉE	2																																																	
+VE EN SORTIE	3																																																	
-VE EN SORTIE	4																																																	
+VE DISTANT / PHASE D'ENTRÉE	5																																																	
-VE DISTANT / NEUTRE D'ENTRÉE	6																																																	
+VE DISTANT / PHASE EN SORTIE	7																																																	
-VE DISTANT / NEUTRE EN SORTIE	8																																																	
ENTRÉE +VE DU SONDEUR	1																																																	
ENTRÉE -VE DU SONDEUR	2																																																	
SORTIE +VE DU SONDEUR	3																																																	
SORTIE -VE DU SONDEUR	4																																																	
NON UTILISÉ	5																																																	
NON UTILISÉ	6																																																	
ENTRÉE +VE DE LA BALISE	7																																																	
SORTIE +VE DE LA BALISE	8																																																	
<table border="1"> <tr><td>+VE EN ENTRÉE</td><td>1</td></tr> <tr><td>-VE 1 EN ENTRÉE</td><td>2</td></tr> <tr><td>-VE 2 EN ENTRÉE</td><td>3</td></tr> <tr><td>+VE EN SORTIE</td><td>4</td></tr> <tr><td>-VE 1 EN SORTIE</td><td>5</td></tr> <tr><td>-VE 2 EN SORTIE</td><td>6</td></tr> <tr><td>NON UTILISÉ</td><td>7</td></tr> <tr><td>NON UTILISÉ</td><td>8</td></tr> </table> <p>FONCTIONNEMENT À DEUX PHASES, CONNEXION À 3 CÂBLES</p>	+VE EN ENTRÉE	1	-VE 1 EN ENTRÉE	2	-VE 2 EN ENTRÉE	3	+VE EN SORTIE	4	-VE 1 EN SORTIE	5	-VE 2 EN SORTIE	6	NON UTILISÉ	7	NON UTILISÉ	8	<table border="1"> <tr><td>+VE EN ENTRÉE</td><td>1</td></tr> <tr><td>-VE EN ENTRÉE</td><td>2</td></tr> <tr><td>+VE EN SORTIE</td><td>3</td></tr> <tr><td>-VE EN SORTIE</td><td>4</td></tr> <tr><td>+VE DISTANT / PHASE D'ENTRÉE</td><td>5</td></tr> <tr><td>-VE DISTANT / NEUTRE D'ENTRÉE</td><td>6</td></tr> <tr><td>+VE DISTANT / PHASE EN SORTIE</td><td>7</td></tr> <tr><td>-VE DISTANT / NEUTRE EN SORTIE</td><td>8</td></tr> </table> <p>FONCTIONNEMENT À DEUX PHASES AVEC DÉMARRAGE À DISTANCE</p>	+VE EN ENTRÉE	1	-VE EN ENTRÉE	2	+VE EN SORTIE	3	-VE EN SORTIE	4	+VE DISTANT / PHASE D'ENTRÉE	5	-VE DISTANT / NEUTRE D'ENTRÉE	6	+VE DISTANT / PHASE EN SORTIE	7	-VE DISTANT / NEUTRE EN SORTIE	8	<table border="1"> <tr><td>ENTRÉE +VE DU SONDEUR</td><td>1</td></tr> <tr><td>-VE 1 ENTRÉE COMMUNE</td><td>2</td></tr> <tr><td>-VE 2 ENTRÉE COMMUNE</td><td>3</td></tr> <tr><td>SORTIE +VE DU SONDEUR</td><td>4</td></tr> <tr><td>-VE 1 SORTIE COMMUNE</td><td>5</td></tr> <tr><td>-VE 2 SORTIE COMMUNE</td><td>6</td></tr> <tr><td>ENTRÉE +VE DE LA BALISE</td><td>7</td></tr> <tr><td>SORTIE +VE DE LA BALISE</td><td>8</td></tr> </table> <p>FONCTIONNEMENT INDÉPENDANT À DEUX PHASES</p>	ENTRÉE +VE DU SONDEUR	1	-VE 1 ENTRÉE COMMUNE	2	-VE 2 ENTRÉE COMMUNE	3	SORTIE +VE DU SONDEUR	4	-VE 1 SORTIE COMMUNE	5	-VE 2 SORTIE COMMUNE	6	ENTRÉE +VE DE LA BALISE	7	SORTIE +VE DE LA BALISE	8
+VE EN ENTRÉE	1																																																	
-VE 1 EN ENTRÉE	2																																																	
-VE 2 EN ENTRÉE	3																																																	
+VE EN SORTIE	4																																																	
-VE 1 EN SORTIE	5																																																	
-VE 2 EN SORTIE	6																																																	
NON UTILISÉ	7																																																	
NON UTILISÉ	8																																																	
+VE EN ENTRÉE	1																																																	
-VE EN ENTRÉE	2																																																	
+VE EN SORTIE	3																																																	
-VE EN SORTIE	4																																																	
+VE DISTANT / PHASE D'ENTRÉE	5																																																	
-VE DISTANT / NEUTRE D'ENTRÉE	6																																																	
+VE DISTANT / PHASE EN SORTIE	7																																																	
-VE DISTANT / NEUTRE EN SORTIE	8																																																	
ENTRÉE +VE DU SONDEUR	1																																																	
-VE 1 ENTRÉE COMMUNE	2																																																	
-VE 2 ENTRÉE COMMUNE	3																																																	
SORTIE +VE DU SONDEUR	4																																																	
-VE 1 SORTIE COMMUNE	5																																																	
-VE 2 SORTIE COMMUNE	6																																																	
ENTRÉE +VE DE LA BALISE	7																																																	
SORTIE +VE DE LA BALISE	8																																																	

Configurations de câblage CA CU1

<table border="1"> <tr><td>ENTRÉE ACTIVE</td><td>1</td></tr> <tr><td>ENTRÉE NEUTRE</td><td>2</td></tr> <tr><td>SORTIE ACTIVE</td><td>3</td></tr> <tr><td>SORTIE NEUTRE</td><td>4</td></tr> <tr><td>NON UTILISÉ</td><td>5</td></tr> <tr><td>NON UTILISÉ</td><td>6</td></tr> <tr><td>NON UTILISÉ</td><td>7</td></tr> <tr><td>NON UTILISÉ</td><td>8</td></tr> </table> <p>FONCTIONNEMENT À UNE PHASE</p>	ENTRÉE ACTIVE	1	ENTRÉE NEUTRE	2	SORTIE ACTIVE	3	SORTIE NEUTRE	4	NON UTILISÉ	5	NON UTILISÉ	6	NON UTILISÉ	7	NON UTILISÉ	8	<table border="1"> <tr><td>ENTRÉE ACTIVE</td><td>1</td></tr> <tr><td>ENTRÉE NEUTRE</td><td>2</td></tr> <tr><td>SORTIE ACTIVE</td><td>3</td></tr> <tr><td>SORTIE NEUTRE</td><td>4</td></tr> <tr><td>+VE DISTANT / PHASE D'ENTRÉE</td><td>5</td></tr> <tr><td>-VE DISTANT / NEUTRE D'ENTRÉE</td><td>6</td></tr> <tr><td>+VE DISTANT / PHASE EN SORTIE</td><td>7</td></tr> <tr><td>-VE DISTANT / NEUTRE EN SORTIE</td><td>8</td></tr> </table> <p>FONCTIONNEMENT À UNE PHASE AVEC DÉMARRAGE À DISTANCE</p>	ENTRÉE ACTIVE	1	ENTRÉE NEUTRE	2	SORTIE ACTIVE	3	SORTIE NEUTRE	4	+VE DISTANT / PHASE D'ENTRÉE	5	-VE DISTANT / NEUTRE D'ENTRÉE	6	+VE DISTANT / PHASE EN SORTIE	7	-VE DISTANT / NEUTRE EN SORTIE	8
ENTRÉE ACTIVE	1																																
ENTRÉE NEUTRE	2																																
SORTIE ACTIVE	3																																
SORTIE NEUTRE	4																																
NON UTILISÉ	5																																
NON UTILISÉ	6																																
NON UTILISÉ	7																																
NON UTILISÉ	8																																
ENTRÉE ACTIVE	1																																
ENTRÉE NEUTRE	2																																
SORTIE ACTIVE	3																																
SORTIE NEUTRE	4																																
+VE DISTANT / PHASE D'ENTRÉE	5																																
-VE DISTANT / NEUTRE D'ENTRÉE	6																																
+VE DISTANT / PHASE EN SORTIE	7																																
-VE DISTANT / NEUTRE EN SORTIE	8																																
<table border="1"> <tr> <td rowspan="4">BALISE</td> <td rowspan="4">}</td> <td>ENTRÉE ACTIVE</td> <td>1</td> </tr> <tr> <td>ENTRÉE NEUTRE</td> <td>2</td> </tr> <tr> <td>SORTIE ACTIVE</td> <td>3</td> </tr> <tr> <td>SORTIE NEUTRE</td> <td>4</td> </tr> <tr> <td rowspan="4">SONDEUR</td> <td rowspan="4">}</td> <td>ENTRÉE ACTIVE</td> <td>5</td> </tr> <tr> <td>ENTRÉE NEUTRE</td> <td>6</td> </tr> <tr> <td>SORTIE ACTIVE</td> <td>7</td> </tr> <tr> <td>SORTIE NEUTRE</td> <td>8</td> </tr> </table> <p>FONCTIONNEMENT INDÉPENDANT À UNE PHASE</p>	BALISE	}	ENTRÉE ACTIVE	1	ENTRÉE NEUTRE	2	SORTIE ACTIVE	3	SORTIE NEUTRE	4	SONDEUR	}	ENTRÉE ACTIVE	5	ENTRÉE NEUTRE	6	SORTIE ACTIVE	7	SORTIE NEUTRE	8													
BALISE			}	ENTRÉE ACTIVE	1																												
				ENTRÉE NEUTRE	2																												
				SORTIE ACTIVE	3																												
	SORTIE NEUTRE	4																															
SONDEUR	}	ENTRÉE ACTIVE	5																														
		ENTRÉE NEUTRE	6																														
		SORTIE ACTIVE	7																														
		SORTIE NEUTRE	8																														

Sonorités standard :

Voir le tableau ci-dessous pour tout détail sur les réglages du commutateur concernant les sonorités standard. Les positions 28 – 32 sont réservées aux tonalités spécifiques au client. Si l'unité est commandée avec des tonalités spécifiques au client, voir la liste séparée des tonalités envoyée avec l'unité pour de plus amples détails.

TABLEAU 1

Tonalité N°	Fréq./Description De Tonalité	Paramétrage D'interrupteur 12345	Description De La Tonalité	SPL Nominal (DB(A) @ 1M)
1	Tonalités Alt 800/970 Hz à 1/4 sec	11111		114
2	Balayage 800/970 Hz à 7 Hz	11110	Balayage rapide (BF)	114
3	Balayage 800/970 Hz à 1 Hz	11101	Balayage moyen (BF)	114
4	Continu à 2850 Hz	11100		109
5	Balayage 2400-2850 Hz à 7 Hz	11011	Balayage rapide	114
6	Balayage 2400-2850 Hz à 1 Hz	11010		114
7	Sonnerie lente	11001	Sonnerie lente	115
8	Balayage 1200-500 Hz à 1 Hz	11000	Tonalité Din	115
9	Tonalités 2400/2850 Hz à 2 Hz	10111		111
10	Tonalité Int de 970 Hz à 1 Hz	10110	Alarme de recul (BF)	114
11	Tonalités Alt 800/970 Hz à 7/8 Hz	10101		114
12	Tonalité Int à 2850 Hz à 1Hz	10100	Alarme de recul (HF)	109
13	970 Hz à 1/4 sec sur 1 sec d'arrêt	10011		114
14	Continu à 970 Hz	10010		114
15	554 Hz pour 0,1S/440 Hz pour 0,4S	10001	Alarme d'incendie française	101
16	Int 660 Hz 150 mS sur 150 mS arrêt	10000	Alarme d'incendie suédoise	106
17	Int 660 Hz 1,8 sec sur 1,8 sec arrêt	01111	Alarme d'incendie suédoise	106
18	Int 660 Hz 6,5 sec sur 13 sec arrêt	01110	Alarme d'incendie suédoise	104
19	Continu 660 Hz	01101	Alarme d'incendie suédoise	106
20	Alt 554/440 Hz à 1 Hz	01100	Alarme d'incendie suédoise	100
21	Int 660 Hz à 7/8 Hz	01011	Alarme d'incendie suédoise	106
22	Int 2850 Hz 150 mS sur 100 mS arrêt	01010	Passage piétons	109
23	Balayage 800-970 Hz à 50 Hz	01001	Basse fréquence Bruiteur	113
24	Balayage 2400-2850 Hz à 50 Hz	01000	Haute fréquence Bruiteur	112
25	3x impulsions 970 Hz 0,5 arrêt, 1,5 arrêt	00111		113
26	3x impulsions 2850 Hz 0,5 marche/0,5 arrêt, 1,5 arrêt	00110		109
27	Int 3100 Hz 0,32s marche/0,68s arrêt	00101		110
28	Tonalité spéciale de réserve/client	00100		
29	Tonalité spéciale de réserve/client	00011		
30	Tonalité spéciale de réserve/client	00010		
31	Tonalité spéciale de réserve/client	00001		
32	Tonalité spéciale de réserve/client	00000		

5.0 Maintenance

Durant toute sa durée de vie, l'unité ne nécessite aucune ou peu de maintenance. Toutefois, lorsque les conditions environnementales inhabituelles ou anormales peuvent avoir un effet sur l'équipement (machine endommagée, accident, etc.), il est recommandé de procéder à une inspection visuelle.

Le remplacement du tube xénon, voir ci-dessous, peut être exécuté par le personnel compétent du site. Les autres réparations peuvent être effectuées en renvoyant l'unité à MEDC ou par un réparateur autorisé d'équipement Ex.

Lorsqu'un certain nombre d'unités ont été acquises, il est recommandé de disposer d'unités de rechange. Les technico-commerciaux de MEDC sont à la disposition de la clientèle pour toute étude des besoins.

Le remplacement du tube au xénon (voir ci-dessous) peut être effectué par du personnel sur site compétent. Pour toute autre réparation, renvoyer l'unité à MEDC.

Pendant l'entretien, si la graisse d'assemblage couvercle/lentille doit être ré-appliquée, une graisse de type PFPE (perfluoropolyéther) comme la Krytox GPL203 de DuPont ou Perfluorolube 22/6 de Performance Fluids Ltd doivent être utilisées afin d'éviter d'endommager le joint torique.

Remplacement du tube au xénon :

PRUDENCE : Avant d'enlever l'assemblage du couvert, assurez-vous que l'alimentation à l'unité soit isolée.

Dévissez la vis sans tête sur l'assemblage du couvre-objectif avec trois tours complets (clé hexagonale AF 2,0 mm requise). Dévissez et enlevez le couvre-objectif.

Unité combinée d'avertisseur sonore et feu au xénon CUI

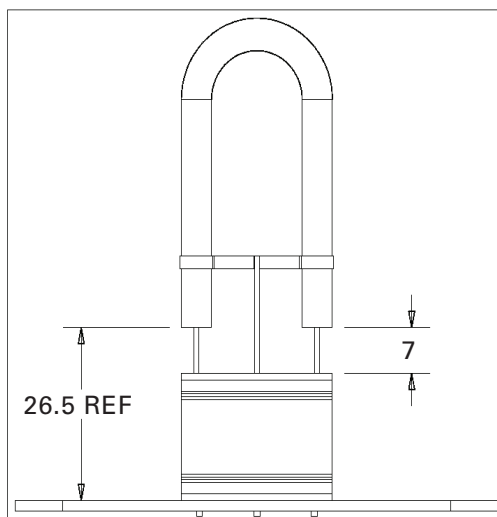
Français

Enlevez l'assemblage du vieux tube en dévissant les vis du bloc de jonction. Le tube en xénon de remplacement peut maintenant être ajusté dans le bloc de jonction fourni. Si le tube de remplacement est équipé d'un tube à détente flexible, s'assurer que le tube est monté sur les bornes dans la même orientation que le tube d'origine

Remarque : les pieds du tube xénon peuvent devoir être taillés pour permettre au tube d'être ajusté à la bonne hauteur à partir du bloc de jonction.

Une fois les ajustements nécessaires effectués, remettre

le couvercle en place en suivant la même procédure que celle indiquée ci-dessus, mais dans l'ordre inverse. Prendre des précautions pour ne pas endommager les filetages et les surfaces de contact du couvercle et du boîtier. S'assurer que le joint torique est bien positionné dans le couvercle et que le couvercle est suffisamment fixé pour que l'espace entre le couvercle et le boîtier n'excède pas 0,2 mm. S'assurer que la vis de blocage dans le couvercle est serrée à fond afin de sécuriser la fixation du couvercle au boîtier.



6.0 Certification/ Approbations

Unité IECEx

Certifiées selon les norms IEC 60079-0, IEC 60079-1 et IEC 60079-7

Unité Ex de (Certification IEC No BAS 11.0149X)

CU1-S - Ex db eb IIB T4 (-50°C à +50°C) Gb

CU1-H - Ex db eb IIB T4 (-50°C à +70°C) Gb

Le certificat et l'étiquette du produit IECEx portent le niveau de marquage IECEx de protection de l'équipement

Gb

Gb: pertinence à des fins d'utilisation en Zone 1 de l'industrie des surfaces en présence de gaz.

Unité ATEX

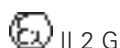
Certifiées selon les norms EN60079-0, EN60079-1 et EN60079-7

Unité Ex d (Certification ATEX N°. Baseefa04ATEX0273X)

CU1-S - Ex db eb IIB T4 (-50°C à +50°C) Gb

CU1-H - Ex db eb IIB T4 (-50°C à +70°C) Gb

Le certificat ATEX et l'étiquette du produit portent aussi le label suivant



Ou



conformité ATEX.

II Pertinence à des fins d'utilisation dans l'industrie des surfaces.

2 Pertinence à des fins d'utilisation en Zone 1.

G Pertinence à des fins d'utilisation en présence de gaz.

Ces unités ont également les autorisations suivantes:

IP66 to BS EN 60529 & IP67 to IEC60529

7.0 Conditions Spéciales Pour Une Utilisation En Toute Sécurité

1. Les finis de surface et peinture, autre que ceux appliqués par le fabricant, ne sont pas autorisés.
2. Un seul fil à un brin ou plusieurs brins devra être branché sur chacun des côtés de terminal, à moins que des conducteurs multiples aient été regroupés de manière adéquate, par exemple, deux conducteurs dans une seule bague en lacet sertie isolée.
3. Les fils étant branchés aux bornes devront être isolés pour la tension appropriée et cette isolation devra s'étendre sur une distance d'un (1) mm sur le métal de la gorge de la borne.
4. Toutes les vis de bornes, utilisées ou pas devront être vissées à fond.
5. La limite de fuite minimale et les distances de jeu entre les bornes et les pièces conductrices adjacentes (y compris les dispositifs d'entrée de câble) doivent être au minimum de 5 mm.
6. Tous les dispositifs d'entrée de câble ou les bouchons obturateurs doivent être choisis et montés afin de maintenir l'intégrité minimale (IP54) du boîtier.
7. Pour les besoins de remplacement, les vis de fixation de fusée doivent être de qualité minimum en acier inoxydable A2-70.

Inhaltsverzeichnis

1.0 EINFÜHRUNG	24
2.0 ALLGEMEINE SICHERHEITS- UND WARNHINWEISE	24
3.0 INSTALLATION	24
Zugang zu Anschlüssen	24
4.0 BETRIEB	25
Zugang zu den Kontrollen:	25
Lautstärkereglер (nur 10J Xenon-Einheiten):	25
Blinkzahleinstellung (nur DC-Versorgungseinheiten):	25
Töne:	26
Tonwahl:	26
CU1 Gleichstrom-Verdrahtungskonfigurationen	27
CU1 Wechselstrom-Verdrahtungskonfigurationen	27
Standardtöne:	28
5.0 INSTANDHALTUNG	28
Austausch der Xenonröhre:	29
6.0 ZERTIFIZIERUNG/ GENEHMIGUNGEN	29
IECEX Gerät	29
ATEX Gerät	29
Diese Einheiten haben auch folgende Zulassungen:	29
7.0 BESONDERE BEDINGUNGEN FÜR EINE SICHERE NUTZUNG	29

1.0 Einführung

Die Blitzleuchten mit Schallgeber dieser Baureihe sind zur Verwendung in explosionsgefährdeten gashaltigen Umgebungen bestimmt und wurden so ausgelegt, dass ein hoher Schutz gegen das Eindringen von Fremdstoffen besteht, um den rauen Umgebungsbedingungen standzuhalten, die auf See und an Land in der Öl- und Gasindustrie und der Petrochemie anzutreffen sind.

Das Gerät ist in zwei Ausführungen für folgende Gasgruppen erhältlich:

CU1-S Standardprodukt – Ex db eb IIB T4
(Umgebungstemp. –50°C bis +50°C). IP66 und IP67

CU1-H Erweiterter Temperaturbereich – Ex db eb IIB T4
(Umgebungstemp. –50°C bis +70°C). IP66 und IP67

Flammenpfade, Schalltrichter und Körper sind ganz aus UV-beständigem glasfaserverstärktem Polyester gefertigt. Schrauben und Halter aus Edelstahl gewährleisten ein korrosionsfreies Produkt. Zur Vermeidung der Montageprobleme bei parallelen Zapfen-Flammenpfaden kommen kegelförmige Flammenpfade mit Gewinde zum Einsatz.

Die Bauteile können nach Kundenvorgaben lackiert und mit Etiketten versehen geliefert werden.

2.0 Allgemeine sicherheits- und warnhinweise

Damit eine sichere Installation des Geräts gewährleistet werden kann, sind alle Anweisungen und Sicherheitshinweise in dieser Bedienungsanleitung zu befolgen. Das Gerät darf nur von entsprechend geschulten Mitarbeitern/Installateuren installiert und gewartet werden.

- I. **Um Funkenschlag in gefährlichen Atmosphären und Stromschläge zu vermeiden, darf das Gerät erst dann an die Stromversorgung angeschlossen werden, wenn die Installation abgeschlossen und das Gerät vollständig abgedichtet und gesichert ist.**
- II. Um Funkenschlag in gefährlichen Atmosphären und Stromschläge zu vermeiden, muss das Gerät bei eingeschalteter Stromzufuhr fest verschlossen sein.
- III. Stellen Sie sicher, dass die Stromversorgung zum Gerät abgetrennt wurde, bevor Sie die Abdeckung zur Installation oder Wartung entfernen.
- IV. Prüfen Sie das Gerät nach der Installation auf ordnungsgemäßen Betrieb.
- V. Sorgen Sie dafür, dass nach der Installation alle Mitarbeiter, die dieses Gerät bedienen, eine Ausgabe dieser Bedienungsanleitung erhalten.
- VI. Bei Installation des Geräts sind die Bestimmungen zur Auswahl, Installation und zum Betrieb zu beachten, wie z. B. IEE-Bestimmungen zur Verkabelung und der 'National Electrical Code' in Nordamerika. Zudem müssen mögliche zusätzliche nationale und/oder örtliche Bestimmungen beachtet werden.
- VII. Der Kabelabschluss muss gemäß den technischen Daten, die für die vorgesehene Verwendung gelten, durchgeführt werden. MEDC empfiehlt, alle Kabel und Pole korrekt zu kennzeichnen. Siehe Schaltplan in dieser Bedienungsanleitung (bzw. dem separaten Schaltplan des Geräts).

- VIII. Achten Sie darauf, dass nur die korrekten, gelisteten oder zugelassenen Kabeldurchführungen verwendet werden und dass die Baugruppe ummantelt und korrekt geerdet ist.
- IX. Achten Sie darauf, ausschließlich die korrekten, gelisteten oder zugelassenen Verschlussstopfen zur Abdeckung nicht verwendeter Durchführungseingänge zu verwenden und dass die NEMA/IP-Klasse des Geräts beibehalten wird.
- X. Zur Beibehaltung der IP-Klasse des Geräts empfiehlt MEDC die Verwendung eines Dichtungsmittels wie z. B. HYLOMAR PL32 auf allen Durchführungseingängen und Verschlussstopfen.
- XI. Alle Buchsen müssen mit einer passenden Dichtungsscheibe und die Verschalung muss mit Verschlussstopfen versehen werden.
- XII. Der interne Erdanschluss, sofern vorhanden, muss für die Erdung der Ausrüstung verwendet werden. Der externe Anschluss, sofern verfügbar, dient als zusätzlicher Verbindungsanschluss, wo laut lokaler Bestimmungen oder Behörden eine solche Verbindung erlaubt bzw. erforderlich ist.
- XIII. MEDC empfiehlt die Verwendung von Edelstahlbefestigungen bei der Installation des Geräts. Achten Sie auf den sicheren und festen Sitz aller Muttern, Schrauben und Befestigungen.
- XIV. Das Gerät muss so platziert werden, dass weder Schmutz, Staub noch Wasser im gefalteten Trichter gelangen können.

3.0 Installation

Die CU1 wird mit Hilfe zweier Befestigungsbohrungen (Ø9mm) im U-Bügel/Halter befestigt. Bei Bedarf kann das Gerät zu Beginn mit Hilfe der Mittelbohrung (Ø13mm) im U-Bügel positioniert werden. Anschließend kann es in die gewünschte Position gedreht und mit Hilfe der anderen Bohrungen befestigt werden.

Die 2 Befestigungsbohrungen sind für die Aufnahmen von M8-Schrauben ausgelegt.

Zugang zu Anschlüssen

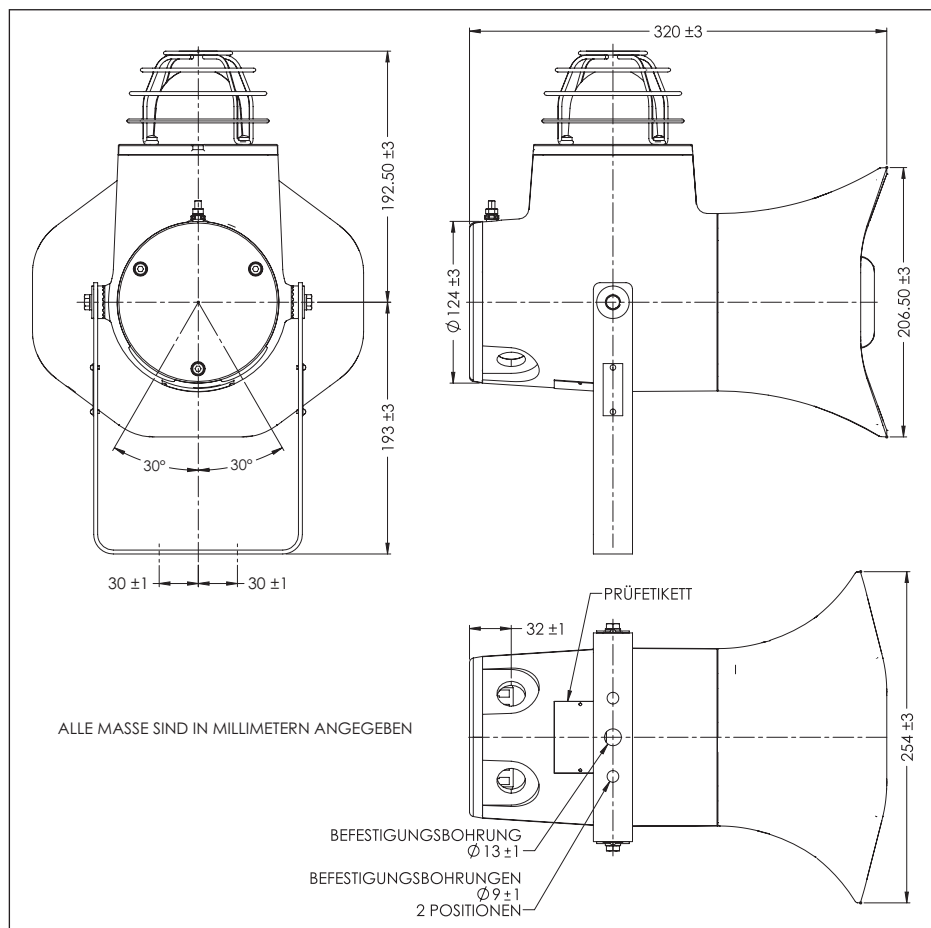
Lösen Sie die 3 stromlosen M5-Schrauben (Sechskantschraubenschlüssel mit 4 mm Schraubenweite), mit der die Abdeckungsbaugruppe an der Basis befestigt ist. Die Schrauben verbleiben in der Abdeckung. Nehmen Sie die Abdeckung ab, um Zugang zum Inneren der Anschlusskammer zu erhalten.

Sobald der Anschlussvorgang abgeschlossen ist, setzen Sie die Abdeckung wieder vorsichtig auf die Verschalung auf und achten Sie darauf, die Passflächen nicht zu beschädigen. Ziehen Sie die 3 stromlosen M5-Schrauben (Innensechskantschlüssel mit 4,0 mm Schraubenweite) im Deckel gleichmäßig an und achten Sie dabei darauf, dass der, im Ex e-Deckel angegebene, höchste Drehmomentwert der Deckelschrauben nicht überschritten wird.

4.0 Betrieb

Die Betriebsspannung des Geräts ist auf dem Geräteetikett vermerkt.

Allgemeine wartung



Zugang zu den Kontrollen:

Der Lautstärkereger, die Blinkzahl-Auswahl (wo verfügbar) und die Tonartauswahl sind über die Linsenabdeckungsbaugruppezugänglich.

Lösen Sie den Gewindestift mit Innensechskant (Sechskantschraubenschlüssel mit 2 mm Schraubenweite) in der Linsenabdeckung mit drei vollen Umdrehungen. Entfernen Sie die Linsenabdeckung. Jetzt können die entsprechenden Einstellungen mithilfe der richtigen, auf der Leiterplatte befestigten, Steuerungen durchgeführt werden.

Nachdem die erforderlichen Einstellungen durchgeführt wurden, setzen Sie die Abdeckung wieder ein. Führen Sie dazu den gleichen Vorgang wie oben beschrieben in umgekehrter Reihenfolge aus. Achten Sie dabei darauf, die Gewinde und die Passflächen der Abdeckung und der Verschalung nicht zu beschädigen. Achten Sie darauf, dass der O-Ring korrekt auf der Abdeckung liegt und dass die Abdeckung fest verschraubt wurde, sodass der Spalt zwischen Abdeckung und Verschalung höchstens 0,2 mm beträgt. Achten Sie darauf, dass der Gewindestift mit Innensechskant fest angezogen wurde, sodass die Abdeckungsbaugruppe sicher am Gehäuse befestigt ist.

Lautstärkereger (nur 10J Xenon-Einheiten):

Das Volumen sowohl der AC- und DC-Einheiten können durch ein Potentiometer (VR1) auf der Oberseite der Leiterplatte montiert Xenon gesteuert werden. Maximale Lautstärke wird durch Drehen des Potentiometers im Uhrzeigersinn erhalten. Umgekehrt werden Sie das Potentiometer in einem gegen den Uhrzeigersinn verringern die Lautstärke, bis kein Ton zu hören. Versuchen Sie nicht, das Potentiometer über seine Grenzen hinaus einzustellen, da dies zu Beschädigungen führen kann und zu verhindern, den korrekten Betrieb des Geräts.

Blinkzahleinstellung (nur DC-Versorgungseinheiten):

Die Blinkzahl kann durch Einstellen eines Brückensteckers eingestellt werden, der auf der Oberseite der Xenon-Leiterplatte befestigt und über die Xenon-Abdeckungsbaugruppe zugänglich ist (Einzelheiten siehe Abschnitt 'Zugang zu Steuerungen'). Sie können unter drei Positionen (SP, F80 & F120) mit folgenden fpm ([flashes per minute] Blinkzeichen pro Minute) wählen:

SP – 60 fpm (Standardeinstellung, soweit bei der Bestellung des Geräts nicht anderweitig festgelegt)

F80 – 80 fpm

F120 – 120 fpm

Die Blinkfrequenz der Wechselstrom-Ausführung wird von MEDC vor dem Versand festgelegt und kann dann nicht mehr eingestellt werden.

Töne:

Hinweis:

- Der Begriff „Fernauslösung“ bezieht sich auf die Option „Auslösung durch Telefon“ und „Auslösung durch 24 V Gleichstromrelais“.
- Einstufig“ bedeutet, dass Leiste 1 der Tonwahlschalter aktiviert ist, mit deren Hilfe der Anwender 1 von bis zu 27 Tönen auswählen kann.
- Zweistufig“ bedeutet, dass Leiste 2 der Tonwahlschalter aktiviert ist, mit deren Hilfe der Anwender 1 von bis zu 27 Tönen auswählen kann. Zwei Stufen sind nur bei DC-Geräten verfügbar.

Das Gerät ist in den folgenden Konfigurationen erhältlich:

- 1: Gleichstromgespeist, einstufiger Summer, Kombibetrieb Summer/Signalleuchte
 - 2: Gleichstromgespeist, einstufiger Summer, Fernauslösung, Kombibetrieb Summer/Signalleuchte
 - 3: Gleichstromgespeist, einstufiger Summer, Einzelbetrieb Summer oder Signalleuchte
 - 4: Gleichstromgespeist, zweistufiger Summer, Kombibetrieb Summer/Signalleuchte
 - 5: Gleichstromgespeist, zweistufiger Summer, Fernauslösung, Kombibetrieb Summer/Signalleuchte
 - 6: Gleichstromgespeist, zweistufiger Summer, Einzelbetrieb Summer oder Signalleuchte
 - 7: Wechselstromgespeist, einstufiger Summer, Kombibetrieb Summer/Signalleuchte
 - 8: Wechselstromgespeist, einstufiger Summer, Fernauslösung, Kombibetrieb Summer/Signalleuchte
 - 9: Wechselstromgespeist, einstufiger Summer, Einzelbetrieb Summer oder Signalleuchte
- **Typ 1:** Die Stromversorgung wird an T1 (plus) & T2 (minus) angeschlossen; Loop-Out (Schleifenausgang) an T3 bzw. T4.
 - **Typ 2:** Die Stromversorgung wird an T1 (plus) & T2 (minus) angeschlossen; Loop-Out (Schleifenausgang) an T3 bzw. T4. Anschluss für Fernauslösung ist T5 (plus/live) & T6 (minus/neutral); Loop-Out (Schleifenausgang) an T7 bzw. T8.
 - **Typ 3:** Die Stromversorgung wird an T1 (Summer, plus) & T2 (üblicherweise minus) angeschlossen; Loop-Out (Schleifenausgang) an T3 bzw. T4. Anschluss (plus) für Einzelbetrieb Signalleuchte ist T7; Loop-Out (Schleifenausgang) an T8.
 - **Typ 4:** Die Stromversorgung wird an T1 (üblicherweise plus), T2 (minus) & T3 (2 minus) angeschlossen; Loop-Out (Schleifenausgang) an T4, T5 bzw. T6. Alternativ kann ein Endwiderstand an T4, T5 oder T4, T6 angeschlossen werden.

- **Typ 5:** Die Stromversorgung wird an T1 (plus) & T2 (minus) angeschlossen; Loop-Out (Schleifenausgang) an T3 bzw. T4. Anschluss für Fernauslösung ist T5 (plus/live) & T6 (minus/neutral); Loop-Out (Schleifenausgang) an T7 bzw. T8.
- **Typ 6:** Die Stromversorgung wird an T1 (Summer, plus), T2 (üblicherweise 1 minus) & T3 (üblicherweise 2 minus) angeschlossen; Loop-Out (Schleifenausgang) an T4, T5 bzw. T6. Anschluss (plus) für Einzelbetrieb Signalleuchte ist T7; Loop-Out (Schleifenausgang) an T8.
- **Typ 7:** Die Stromversorgung wird an T1 (L) & T2 (N) angeschlossen; Loop-Out (Schleifenausgang) an T3 bzw. T4.
- **Typ 8:** Die Stromversorgung wird an T1 (L) & T2 (N) angeschlossen; Loop-Out (Schleifenausgang) an T3 bzw. T4. Anschluss für Fernauslösung ist T5 (plus/live) & T6 (minus/neutral); Loop-Out (Schleifenausgang) an T7 bzw. T8.
- **Typ 9:** Die Stromversorgung für den Summer wird an T1 (L) & T2 (N) angeschlossen; Loop-Out (Schleifenausgang) an T3 bzw. T4. Die Stromversorgung für die Signalleuchte wird an T5 (L) & T6 (N) angeschlossen; Loop-Out (Schleifenausgang) an T7 bzw. T8.

Hin- und Herschaltung zwischen den beiden Stufen des zweistufigen Geräts erfolgt durch:

- a. Umpolung der Stromversorgung (zweidrähtig), oder
- b. Anschluss als übliches dreidrähtiges „Plus-System“ und Hin- und Herschaltung zwischen den beiden Minusleitungen.

D.h. bei T1 (plus) & T2 (minus) ist Stufe 1 aktiviert.

- a. Bei T1 (minus) & T2 (plus) ist Stufe 2 aktiviert.
- b. Bei T1 (plus) & T3 (minus) ist Stufe 2 aktiviert.

Hinweis: Bei Geräten des Typs 5 (Einzelheiten siehe oben), wird der Zweistufen-Klopfer nur mit zwei Kabeln angeschlossen und die zweite Stufe kann nur bei umgekehrter Polarität ausgewählt werden (Option a. oben)

Tonwahl:

Bei den Wechselstrom-Ausführungen wird der gewünschte Ton mit einem 5-Wege-DIL-Schalter auf der Oberseite der Blitzleuchtenplatine bestimmt.

Bei den Gleichstrom-Ausführungen werden Ton 1 und Ton2 mit den beiden 5-Wege-DIL-Schaltern gewählt, die mit SW1 bzw. SW2 bezeichnet sind und sich auf der Oberseite der Blitzleuchtenplatine befinden.

CU1 Gleichstrom-Verdrahtungskonfigurationen

POSITIV EIN 1 NEGATIV EIN 2 POSITIV AUS 3 NEGATIV AUS 4 NICHT VERWENDET 5 NICHT VERWENDET 6 NICHT VERWENDET 7 NICHT VERWENDET 8 EINPHASIGER BETRIEB	POSITIV EIN 1 NEGATIV EIN 2 POSITIV AUS 3 NEGATIV AUS 4 FERN +VE/STROMFÜHREND EIN 5 FERN -VE/NEUTRAL EIN 6 FERN +VE/STROMFÜHREND AUS 7 FERN -VE/NEUTRAL AUS 8 EINPHASIGER BETRIEB MIT FERNAUSLÖSUNG	SCHALLGEBER +VE EIN 1 SCHALLGEBER -VE EIN 2 SCHALLGEBER +VE AUS 3 SCHALLGEBER -VE AUS 4 NICHT VERWENDET 5 NICHT VERWENDET 6 LEUCHTE +VE EIN 7 LEUCHTE +VE AUS 8 EINPHASIG MIT UNABHÄNGIGEM BETRIEB
POSITIV EIN 1 NEGATIV 1 EIN 2 NEGATIV 2 EIN 3 POSITIV AUS 4 NEGATIV 1 AUS 5 NEGATIV 2 AUS 6 NICHT VERWENDET 7 NICHT VERWENDET 8 ZWEIPHASIGER BETRIEB, 3-DRAHTIGER ANSCHLUSS	POSITIV EIN 1 NEGATIV EIN 2 POSITIV AUS 3 NEGATIV AUS 4 FERN +VE/STROMFÜHREND EIN 5 FERN -VE/NEUTRAL EIN 6 FERN +VE/STROMFÜHREND AUS 7 FERN -VE/NEUTRAL AUS 8 ZWEIPHASIGER BETRIEB MIT FERNAUSLÖSUNG	SCHALLGEBER +VE EIN 1 GEMEINSAMER -VE 1 EINGANG 2 GEMEINSAMER -VE 2 EINGANG 3 SCHALLGEBER +VE AUS 4 GEMEINSAMER -VE 1 AUSGANG 5 GEMEINSAMER -VE 2 AUSGANG 6 LEUCHTE +VE EIN 7 LEUCHTE +VE AUS 8 ZWEIPHASIG MIT UNABHÄNGIGEM BETRIEB

CU1 Wechselstrom-Verdrahtungskonfigurationen

STROMFÜHREND EIN 1 NEUTRAL EIN 2 STROMFÜHREND AUS 3 NEUTRAL AUS 4 NICHT VERWENDET 5 NICHT VERWENDET 6 NICHT VERWENDET 7 NICHT VERWENDET 8 EINPHASIGER BETRIEB	STROMFÜHREND EIN 1 NEUTRAL EIN 2 STROMFÜHREND AUS 3 NEUTRAL AUS 4 FERN +VE/STROMFÜHREND EIN 5 FERN -VE/NEUTRAL EIN 6 FERN +VE/STROMFÜHREND AUS 7 FERN -VE/NEUTRAL AUS 8 EINPHASIGER BETRIEB MIT FERNAUSLÖSUNG
LEUCHTE { STROMFÜHREND EIN 1 NEUTRAL EIN 2 STROMFÜHREND AUS 3 NEUTRAL AUS 4 } SCHALLGEBER { STROMFÜHREND EIN 5 NEUTRAL EIN 6 STROMFÜHREND AUS 7 NEUTRAL AUS 8 } EINPHASIG MIT UNABHÄNGIGEM BETRIEB	

Standardtöne:

Einzelheiten zu den Schaltereinstellungen für Standardtöne entnehmen Sie bitte der untenstehenden Tabelle. Die Positionen 28-32 sind für Sondertöne von Kunden reserviert. Falls das Gerät mit Sondertönen von Kunden ausgestattet wurde, finden Sie weitere Einzelheiten in der dem Gerät beigelegten Tonliste.

Tabelle 1

TON Nr.	Frequenz / Beschreibung	Schalterstellung 12345	Beschreibung	Kennschalldruck (dB (A) bei 1 m)
1	Wechselton 800/970Hz (1/4Sek.)	11111		114
2	Sweep-Ton 800/970Hz (7Hz)	11110	Schneller Sweep-Ton (NF)	114
3	Sweep-Ton 800/970Hz (1Hz)	11101	Mittlerer Sweep-Ton (NF)	114
4	Dauerton 2850Hz	11100		109
5	Sweep-Ton 2400-2850Hz (7Hz)	11011	Schneller Sweep-Ton	114
6	Sweep-Ton 2400-2850Hz (1Hz)	11010		114
7	Langsamer Whoop-Ton	11001	Langsamer Whoop-Ton	115
8	Sweep-Ton 1200-500Hz (1Hz)	11000	Din-Ton	115
9	Wechselton 2400/2850Hz (2Hz)	10111		111
10	Unterbrochen 970Hz (1Hz)	10110	Back-Up-Alarm (NF)	114
11	Wechselton 800/970Hz (7/8Hz)	10101		114
12	Unterbrochen 2850Hz (1Hz)	10100	Back-Up-Alarm (HF)	109
13	970Hz bei 1/4Sek. (Unterbrechung 1Sek.)	10011		114
14	Dauerton 970Hz	10010		114
15	554Hz für 0,1Sek./440Hz für 0,4Sek.	10001	Französische Feuersirene	101
16	Unterbrochen 660Hz 150ms an, 150ms aus	10000	Schwedischer Feueralarm	106
17	Unterbrochen 660Hz 1,8Sek. an, 1,8Sek. aus	01111	Schwedischer Feueralarm	106
18	Unterbrochen 660Hz 6,5Sek. an, 13Sek. aus	01110	Schwedischer Feueralarm	104
19	Dauerton 660Hz	01101	Schwedischer Feueralarm	106
20	Wechselton 554/440Hz (1Hz)	01100	Schwedischer Feueralarm	100
21	Unterbrochen 660Hz bei 7/8Hz	01011	Schwedischer Feueralarm	106
22	Unterbrochen 2850Hz 150ms an, 100ms aus	01010	Fußgängerampel	109
23	Sweep-Ton 800-970Hz (50Hz)	01001	Niedriger Buzz-Ton	113
24	Sweep-Ton 2400-2850Hz (50Hz)	01000	Hoher Buzz-Ton	112
25	3 x 970-Hz-Impulse 0,5 an, 1,5 aus	00111		113
26	3 x 2850-Hz-Impulse 0,5 an / 0,5 aus, 1,5 ausgeschaltet	00110		109
27	Unterbrochen 3100Hz 0,32Sek. an, 0,68Sek. aus	00101		110
28	Frei/ kundeneigener Ton	00100		
29	Frei/ kundeneigener Ton	00011		
30	Frei/ kundeneigener Ton	00010		
31	Frei/ kundeneigener Ton	00001		
32	Frei/ kundeneigener Ton	00000		

5.0 Instandhaltung

Während des Arbeitslebens des Geräts sind wenig oder gar keine Instandhaltungsarbeiten erforderlich.

Wenn allerdings aufgrund eines Anlagenschadens oder Unfalls etc. ungewöhnliche Umgebungsbedingungen auftreten, wird eine Sichtprüfung empfohlen.

Die Xenonröhre kann von qualifiziertem Personal vor Ort erneuert werden (siehe unten). Andere Reparaturen sind zu veranlassen, indem das Gerät an MEDC zurückgeschickt wird, oder von einem autorisierten Reparatur von Ex-Ausrüstungsgegenständen vornehmen zu lassen.

Wenn Sie größere Stückzahlen dieser Geräte erworben haben, wird die Lagerhaltung von Ersatzteilen empfohlen. Bitte besprechen Sie sich hinsichtlich Ihres Bedarfs mit den technischen Verkaufingenieuren bei MEDC.

Der Austausch der Xenon-Röhre (siehe unten) kann durch geschultes Personal vor Ort erfolgen. Andere Reparaturen dürfen nur durch Rücksendung des Geräts an MEDC.

Falls bei Wartungsarbeiten die Schmierung der Abdeckungs-/Linsenbaugruppe erneuert werden muss, ist ein Schmiermittel auf PFPE (Perfluorpolyether)-Basis wie z. B. Krytox GPL203 von DuPont oder Perfluorolube 22/6 von Performance Fluids Ltd zu verwenden, um eine Beschädigung des O-Rings zu vermeiden.

Austausch der Xenonröhre:

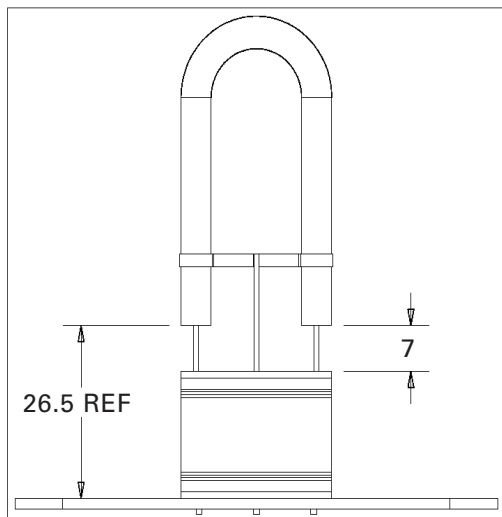
VORSICHT: Trennen Sie das Gerät vom Stromversorgungsnetz, bevor Sie die Abdeckung entfernen.

Lösen Sie den Gewindestift an der Linsenabdeckung (drei volle Umdrehungen mit einem 2,0 mm Sechskant-Schraubendreher AF). Lösen und entfernen Sie die Linsenabdeckung.

Lösen Sie die Schrauben der Klemmleiste und entfernen Sie die alte Xenonröhre. Die Ersatzröhre kann nun an die Klemmleiste angeschlossen werden. Falls die Ersatzröhre mit einem flexiblen Auslöserdraht versehen ist, stellen Sie sicher, dass die Röhre mit der gleichen Ausrichtung in den Anschlussblock eingesetzt ist wie die Originalröhre.

Hinweis: Die Beine der Xenonröhre müssen ggf. gekürzt werden, um die Röhre auf die korrekte Höhe zur Klemmleiste setzen zu können (siehe Abb. 2).

Nachdem die erforderlichen Einstellungen durchgeführt wurden, setzen Sie die Abdeckung wieder ein. Führen Sie dazu den gleichen Vorgang wie oben beschrieben in umgekehrter Reihenfolge aus. Achten Sie dabei darauf, die Gewinde und die Passflächen der Abdeckung und der Verschalung nicht zu beschädigen. Achten Sie darauf, dass der O-Ring korrekt auf der Abdeckung liegt und dass die Abdeckung fest verschraubt wurde, sodass der Spalt zwischen Abdeckung und Verschalung höchstens 0,2 mm beträgt. Achten Sie darauf, dass der Gewindestift mit Innensechskant fest angezogen wurde, sodass die Abdeckungsbaugruppe sicher am Gehäuse befestigt ist.



6.0 Zertifizierung/Genehmigungen

IECEX Gerät

Zertifiziert nach IEC 60079-0, IEC 60079-1 and IEC 60079-7

Ex de Gerät (IEC-Zertifikat Nr. IECEX BAS 11.0149X)

CU1-S - Ex db eb IIB T4 (-50°C to +50°C) Gb

CU1-H – Ex db eb IIB T4 (-50°C to +70°C) Gb

Die IECEX-Zertifikats und Produktkennzeichnung sind mit der Kennzeichnung der IECEX Ausrüstungsschutzklasse versehen

Gb

Gb kennzeichnet die Eignung zur Verwendung in oberirdischen Industriebereichen der Zone1 in gashaltiger Umgebung.

ATEX Gerät

Zertifiziert nach EN 60079-0, EN 60079-1 and EN 60079-7

Ex de Gerät (ATEX-Zertifikat Nr. Baseefa04ATEX0273X)


CU1-S - Ex db eb IIB T4 (-50°C to +50°C) Gb

CU1-H - Ex db eb IIB T4 (-50°C to +70°C) Gb

Das ATEX-Zertifikat und das Produktetikett enthalten die ATEX-Kennzeichnung der Gruppen und Kategorien:

 II 2 G

Wobei:

-  II die Übereinstimmung mit ATEX kennzeichnet die Eignung zur Verwendung in Übertagebetrieben kennzeichnet
- 2 die Eignung zur Verwendung in einem Bereich der Zone 1 kennzeichnet
- G die Eignung zur Verwendung beim Auftreten von Gas kennzeichnet

Diese Einheiten haben auch folgende Zulassungen:

IP66 to BS EN 60529 & IP67 to IEC60529

7.0 Besondere bedingungen für eine sichere nutzung

1. Eine andere Lackierung oder Oberflächenbehandlung als die bereits vom Hersteller aufgebrachte bzw. angewandte ist nicht zulässig.
2. An jeder Seite einer Klemme darf nicht mehr als eine Einleiter- oder Vieldrahtlitzenleitungen angeschlossen werden, es sei denn mehrere Leiter wurden auf geeignete Weise zusammengeführt, z.B. zwei Leiter in einer isolierten Bootlace-Quetschhülse.
3. An die Klemmen angeschlossene Leitungen müssen für die entsprechende Spannung isoliert sein; diese Isolierung muss sich bis innerhalb eines Millimeters vor dem Metall des Klemmenhalses erstrecken.
4. Alle Klemmschrauben (benutzte und unbenutzte) sind anzuziehen.
5. Kriechstrecken und Sicherheitsabstände zwischen den Klemmen und benachbarten leitenden Teilen (einschließlich Kabeleinführungsvorrichtungen) müssen mindestens 5mm betragen.
6. Alle Kabeleinführungsvorrichtungen oder Verschlussstopfen sind so auszuwählen und zu installieren, dass für das Gehäuse mindestens die Schutzklasse IP54 erhalten bleibt.
7. Für den Ersatz Zweck tragen die Fackel Befestigungsschrauben aus Edelstahl Mindestnote A2-70 sein.

Содержание

1.0 ВВЕДЕНИЕ	38
2.0 ОБЩИЕ УКАЗАНИЯ ПО ТЕХНИКЕ БЕЗОПАСНОСТИ И ПРЕДУПРЕЖДЕНИЯ	38
3.0 УСТАНОВКА	38
Доступ к клеммам.....	38
4.0 ЭКСПЛУАТАЦИЯ.....	39
Доступ к элементам управления.....	39
Регулятор громкости (только для устройств 10J CU1-S).....	39
Регулировка частоты вспышек (только для устройств, работающих от постоянного тока).....	39
Звуковые сигналы.....	40
Выбор звукового сигнала.....	40
Конфигурации проводки CU1 с питанием от источника постоянного тока.....	41
Конфигурации проводки CU1 с питанием от источника переменного тока.....	41
Стандартные звуковые сигналы.....	42
5.0 ТЕХНИЧЕСКОЕ ОБСЛУЖИВАНИЕ.....	42
Замена ксеноновой лампы.....	43
6.0 СЕРТИФИКАЦИЯ / ДОПУСКИ	43
Устройства IECEx.....	43
Устройства ATEX.....	43
Устройства также имеют следующие допуски:.....	43
7.0 СПЕЦИАЛЬНЫЕ УСЛОВИЯ ДЛЯ БЕЗОПАСНОГО ИСПОЛЬЗОВАНИЯ.....	43

1.0 Введение

Оповещатели пожарные комбинированные свето-звуковой серии предназначены для использования в потенциально взрывоопасной газовой среде и имеют высокую степень защиты от внешних воздействий для работы в тяжелых условиях, характерных для морских и наземных объектов нефтегазовой и нефтехимической промышленности.

Устройство предлагается в двух вариантах, пригодных для использования при следующих температурах окружающей среды:

Стандартное устройство CU1-S — Ex db eb IIB T4 (тем. окр. среды от -50 °C до +50 °C), IP66 и IP67

Устройство CU1-H с расширенным температурным диапазоном — Ex db eb IIB T4 (тем. окр. среды от -50 °C до +70 °C), IP66 и IP67

Рупор и корпус, включая взрывонепроницаемые соединения, полностью изготовлены из устойчивого к УФ-излучению полиэстера, армированного стекловолокном. Винты и крепежная скоба из нержавеющей стали обеспечивают отсутствие коррозии. Во избежание проблем при монтаже параллельных муфтовых взрывонепроницаемых соединений используются конические и резьбовые взрывонепроницаемые соединения.

Устройства могут быть окрашены в соответствии с требованиями заказчика и снабжены идентификационными этикетками.

2.0 Общие указания по технике безопасности и предупреждения

Для обеспечения безопасной установки устройства необходимо соблюдать все инструкции и указания по технике безопасности, приведенные в данном руководстве. Установка и техническое обслуживание устройства должны выполняться только квалифицированными сотрудниками/монтажниками, прошедшими специальную подготовку.

- I. Во избежание возгорания в опасной среде и поражения электрическим током запрещается подавать питание на устройство до тех пор, пока монтажные работы не будут завершены, а устройство не будет полностью загерметизировано и надежно закреплено.
- II. Во избежание возгорания в опасной среде и поражения электрическим током устройство должно быть плотно закрытым, когда цепь находится под напряжением.
- III. Перед снятием крышки для установки или технического обслуживания убедитесь, что питание устройства отключено.
- IV. После установки проверьте работу устройства.
- V. После установки предоставьте копию данного руководства всем сотрудникам, работающим с устройством.
- VI. При установке устройства необходимо соблюдать действующие требования к выбору, установке и эксплуатации, например Правила IEE по выполнению электропроводки и Национальный свод законов и технических стандартов США по электротехнике. Дополнительно необходимо соблюдать действующие национальные и/или местные требования.
- VII. Концевая заделка кабелей должна соответствовать техническим требованиям, действующим в соответствующей области. MEDC рекомендует нанести маркировку на все кабели и жилы. См. электрическую схему в данном руководстве (или отдельную схему, прилагаемую к устройству).
- VIII. Убедитесь, что используются только правильные,

предусмотренные спецификацией или сертифицированные кабельные вводы, а также что устройство экранировано и правильно заземлено.

- IX. Убедитесь, что для закрытия неиспользуемых входов используются только правильные, предусмотренные спецификацией или сертифицированные заглушки и что они соответствуют требованиям класса NEMA/IP устройства.
- X. MEDC рекомендует нанести герметизирующий состав, например HYLOMAR PL32, на резьбу всех кабельных вводов и заглушек для сохранения класса IP устройства.
- XI. Все кабельные вводы необходимо устанавливать с использованием подходящих уплотнительных шайб, а корпус должен быть закрыт подходящими заглушками.
- XII. Для заземления оборудования следует использовать внутренний заземляющий контакт, если он установлен. Внешний заземляющий контакт предназначен для дополнительного заземления и используется в тех случаях, когда такое соединение разрешено или требуется местными нормами и правилами.
- XIII. MEDC рекомендует использовать крепежные детали из нержавеющей стали при установке устройства. Убедитесь, что все гайки, болты и крепления надежно затянуты.
- XIV. Устройство должно быть установлено таким образом, чтобы исключить возможность попадания мусора, пыли или воды в свернутый рупор.

3.0 Установка

Устройство крепится с помощью 2 крепежных отверстий диаметром 9 мм в U-образной/крепежной скобе. При необходимости устройство можно сначала установить с помощью центрального отверстия диаметром 13 мм в скобе. После этого устройство можно повернуть в нужное положение и зафиксировать с помощью оставшихся отверстий.

Два крепежных отверстия предназначены для винтов или болтов M8.

Доступ к клеммам

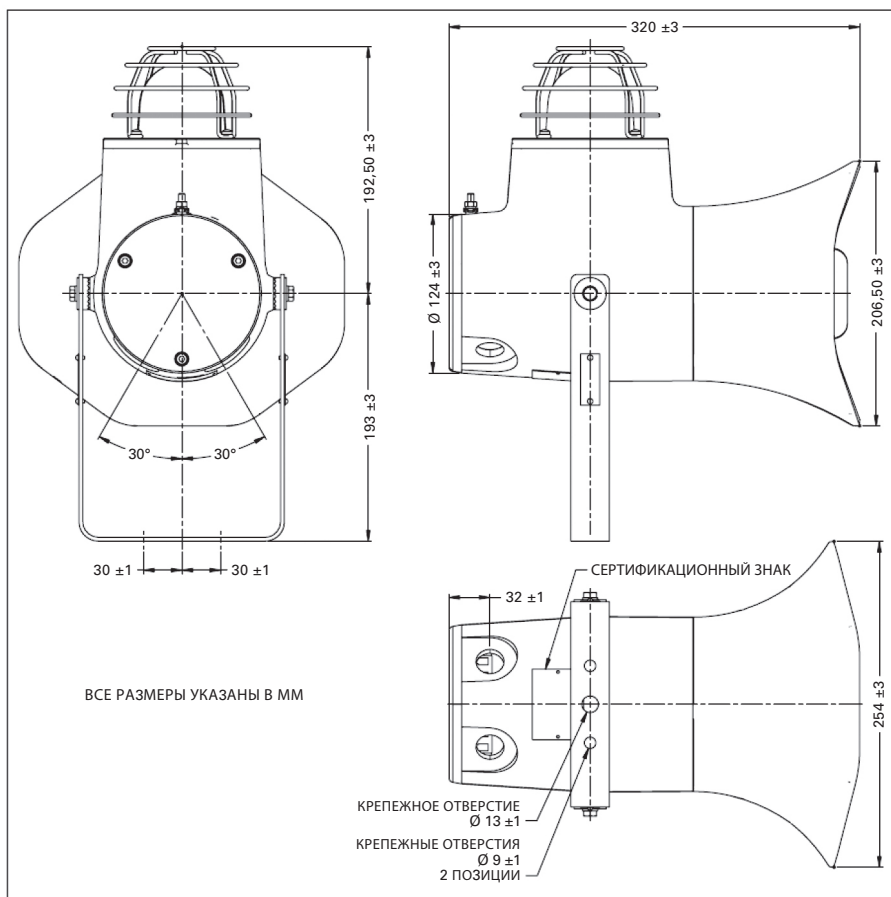
Отверните 3 винта M5 (шестигранным ключом на 4,0 мм), которыми узел крышки крепится к основанию. Винты остаются в крышке. Снимите крышку, чтобы получить доступ к внутренней части клеммной коробки.

После завершения работ по подключению осторожно установите крышку обратно на корпус. Следите за тем, чтобы не повредить контактные поверхности. Равномерно затяните 3 винта M5 (шестигранным ключом на 4,0 мм) в крышке, соблюдая максимальный момент затяжки, указанный на крышке Ex e. Во время повторной сборки убедитесь, что уплотнительное кольцо правильно расположено в пазу.

4.0 Эксплуатация

Рабочее напряжение устройства указано на его этикетке.

Общая компоновка



Доступ к элементам управления

Для доступа к регулятору громкости и элементам управления для выбора частоты вспышек (при наличии) и звукового сигнала необходимо снять крышку линзы.

Отверните установочный винт с внутренним шестигранником (шестигранным ключом на 2 мм) в крышке линзы на три полных оборота. Снимите крышку линзы. Теперь можно выполнить необходимые регулировки с помощью соответствующих элементов управления, установленных на печатной плате.

После выполнения необходимых регулировок установите крышку на место в порядке, обратном описанному выше порядку демонтажа. Соблюдайте осторожность, чтобы не повредить резьбу и контактные поверхности крышки и корпуса. Убедитесь, что уплотнительное кольцо правильно установлено в крышке и крышка плотно привинчена к корпусу, так что зазор между крышкой и корпусом составляет не более 0,2 мм. Чтобы закрепить узел крышки на корпусе, затяните до упора установочный винт с внутренним шестигранником в крышке.

Регулятор громкости (только для устройств 10J CU1-S)

Громкость устройств, работающих как от переменного, так и от постоянного тока, можно регулировать с помощью потенциометра (VR1), установленного на верхней стороне печатной платы. Для увеличения громкости до максимального

уровня необходимо повернуть потенциометр до упора по часовой стрелке. Поворот потенциометра против часовой стрелки, наоборот, уменьшает громкость до полного отключения звука. Не пытайтесь повернуть потенциометр дальше конечного положения, так как это может привести к повреждению потенциометра и помешать правильной работе устройства.

Регулировка частоты вспышек (только для устройств, работающих от постоянного тока)

Частота вспышек регулируется с помощью переключки, установленной на верхней стороне печатной платы ксеноновой лампы. Доступ к ней осуществляется через крышку ксеноновой лампы (подробную информацию см. в разделе «Доступ к элементам управления»). Предусмотрено три положения (SP, F80 и F120), которые соответствуют следующей частоте вспышек (кол-во вспышек в минуту):

SP — 60 вспышек в минуту (стандартное значение, если иное не согласовано при заказе устройства)

F80 — 80 вспышек в минуту

F120 — 120 вспышек в минуту

В устройствах, работающих от переменного тока, частота вспышек устанавливается MEDC перед отгрузкой и не может быть отрегулирована.

Звуковые сигналы

Для заметок:

- Термин «Дистанционное включение» относится как к опции «Включение по телефону», так и к опции «Включение через реле 24 В пост. тока».
- «Одноступенчатый» означает, что включен ряд 1 переключателей звукового сигнала, который позволяет выбрать один из 27 звуковых сигналов.
- «Двухступенчатый» означает, что также включен ряд 2 переключателей звукового сигнала, который позволяет выбрать один из 27 звуковых сигналов. Пользователь может переключаться между звуковыми сигналами, выбранными в ряду 1 и 2. Двухступенчатый режим доступен только на устройствах, работающих от постоянного тока.

Устройство поставляется в следующих вариантах:

1. Питание от источника постоянного тока, одноступенчатый звуковой оповещатель, прямое включение, комбинированный режим работы звукового/светового оповещателя
 2. Питание от источника постоянного тока, одноступенчатый звуковой оповещатель, дистанционное включение, комбинированный режим работы звукового/светового оповещателя
 3. Питание от источника постоянного тока, одноступенчатый звуковой оповещатель, прямое включение, отдельные режимы работы звукового и светового оповещателя
 4. Питание от источника постоянного тока, двухступенчатый звуковой оповещатель, прямое включение, комбинированный режим работы звукового/светового оповещателя
 5. Питание от источника постоянного тока, двухступенчатый звуковой оповещатель, дистанционное включение, комбинированный режим работы звукового/светового оповещателя
 6. Питание от источника постоянного тока, двухступенчатый звуковой оповещатель, прямое включение, отдельные режимы работы звукового и светового оповещателя
 7. Питание от источника переменного тока, одноступенчатый звуковой оповещатель, прямое включение, комбинированный режим работы звукового/светового оповещателя
 8. Питание от источника переменного тока, одноступенчатый звуковой оповещатель, дистанционное включение, комбинированный режим работы звукового/светового оповещателя
 9. Питание от источника переменного тока, одноступенчатый звуковой оповещатель, прямое включение, отдельные режимы работы звукового и светового оповещателя
- **Тип 1.** Питание должно быть подключено к T1 (+ve) и T2 (-ve), петлевой выход на T3 и T4 соответственно.
 - **Тип 2.** Питание должно быть подключено к T1 (+ve) и T2 (-ve), петлевой выход на T3 и T4 соответственно. Узел дистанционного включения должен быть подключен к T5 (+ve / фаза) и T6 (-ve / нейтраль), петлевой выход на T7 и T8 соответственно.
 - **Тип 3.** Питание должно быть подключено к T1 (+ve звукового оповещателя) и T2 (общий -ve), петлевой выход на T3 и T4 соответственно. Питание светового оповещателя (+ve) должно быть подключено отдельно к T7, петлевой выход на T8.
 - **Тип 4.** Питание должно быть подключено к T1 (общий +ve), T2

(-ve) и T3 (-ve 2), петлевой выход на T4, T5 и T6 соответственно. В качестве альтернативы к T4, T5 или T4, T6 можно подключить оконечный резистор.

- **Тип 5.** Питание должно быть подключено к T1 (+ve) и T2 (-ve), петлевой выход на T3 и T4 соответственно. Узел дистанционного включения должен быть подключен к T5 (+ve / фаза) и T6 (-ve / нейтраль), петлевой выход на T7 и T8 соответственно.
- **Тип 6.** Питание должно быть подключено к T1 (+ve звукового оповещателя), T2 (общий -ve1) и T3 (общий -ve2), петлевой выход на T4, T5 и T6 соответственно. Питание светового оповещателя (+ve) должно быть подключено отдельно к T7, петлевой выход на T8.
- **Тип 7.** Питание должно быть подключено к T1 (L) и T2 (N), петлевой выход на T3 и T4 соответственно.
- **Тип 8.** Питание должно быть подключено к T1 (L) и T2 (N), петлевой выход на T3 и T4 соответственно. Узел дистанционного включения должен быть подключен к T5 (+ve / фаза) и T6 (-ve / нейтраль), петлевой выход на T7 и T8 соответственно.
- **Тип 9.** Питание звукового оповещателя должно быть подключено к T1 (L) и T2 (N), петлевой выход на T3 и T4 соответственно. Питание светового оповещателя должно быть подключено к T5 (L) и T6 (N), петлевой выход на T7 и T8 соответственно.

Переключение между двумя ступенями в двухступенчатых устройствах выполняется путем:

- a. изменения полярности источника питания (2-проводное соединение) или
- b. подключения в виде обычной трехпроводной системы +ve и переключения между двумя линиями -ve.

Таким образом, при T1 (+ve) и T2 (-ve) активна ступень 1.

- a. При T1 (-ve) и T2 (+ve) активна ступень 2, или
- b. При T1 (+ve) и T3 (-ve) активна ступень 2.

Примечание: при использовании устройств типа 5 (см. подробности выше) двухступенчатый звуковой оповещатель подключается только с помощью 2 проводов, а вторая ступень выбирается только путем изменения полярности (см. выше).

Выбор звукового сигнала

В устройствах, работающих от переменного тока, звуковой сигнал выбирается с помощью 5-позиционного DIL-переключателя, установленного на верхней стороне печатной платы ксеноновой лампы.

В устройствах, работающих от постоянного тока, звуковые сигналы 1 и 2 выбираются с помощью двух 5-позиционных DIL-переключателей (с маркировкой SW1 и SW2), установленных на верхней стороне печатной платы ксеноновой лампы.

Конфигурации проводки CU1 с питанием от источника постоянного тока

<table border="1"> <tr><td>ВХОД +VE</td><td>1</td></tr> <tr><td>ВХОД -VE</td><td>2</td></tr> <tr><td>ВЫХОД +VE</td><td>3</td></tr> <tr><td>ВЫХОД -VE</td><td>4</td></tr> <tr><td>НЕ ИСПОЛЬЗУЕТСЯ</td><td>5</td></tr> <tr><td>НЕ ИСПОЛЬЗУЕТСЯ</td><td>6</td></tr> <tr><td>НЕ ИСПОЛЬЗУЕТСЯ</td><td>7</td></tr> <tr><td>НЕ ИСПОЛЬЗУЕТСЯ</td><td>8</td></tr> </table> <p>ОДНОСТУПЕНЧАТЫЙ РЕЖИМ РАБОТЫ</p>	ВХОД +VE	1	ВХОД -VE	2	ВЫХОД +VE	3	ВЫХОД -VE	4	НЕ ИСПОЛЬЗУЕТСЯ	5	НЕ ИСПОЛЬЗУЕТСЯ	6	НЕ ИСПОЛЬЗУЕТСЯ	7	НЕ ИСПОЛЬЗУЕТСЯ	8	<table border="1"> <tr><td>ВХОД +VE</td><td>1</td></tr> <tr><td>ВХОД -VE</td><td>2</td></tr> <tr><td>ВЫХОД +VE</td><td>3</td></tr> <tr><td>ВЫХОД -VE</td><td>4</td></tr> <tr><td>ДИСТ. ВКЛ. +VE / ВХОД ФАЗЫ</td><td>5</td></tr> <tr><td>ДИСТ. ВКЛ. -VE / ВХОД НЕЙТРАЛИ</td><td>6</td></tr> <tr><td>ДИСТ. ВКЛ. +VE / ВЫХОД ФАЗЫ</td><td>7</td></tr> <tr><td>ДИСТ. ВКЛ. -VE / ВЫХОД НЕЙТРАЛИ</td><td>8</td></tr> </table> <p>ОДНОСТУПЕНЧАТЫЙ РЕЖИМ РАБОТЫ С ДИСТАНЦИОННЫМ ВКЛЮЧЕНИЕМ</p>	ВХОД +VE	1	ВХОД -VE	2	ВЫХОД +VE	3	ВЫХОД -VE	4	ДИСТ. ВКЛ. +VE / ВХОД ФАЗЫ	5	ДИСТ. ВКЛ. -VE / ВХОД НЕЙТРАЛИ	6	ДИСТ. ВКЛ. +VE / ВЫХОД ФАЗЫ	7	ДИСТ. ВКЛ. -VE / ВЫХОД НЕЙТРАЛИ	8	<table border="1"> <tr><td>ВХОД +VE ЗВУКОВОГО ОПОВЕЩАТЕЛЯ</td><td>1</td></tr> <tr><td>ВХОД -VE ЗВУКОВОГО ОПОВЕЩАТЕЛЯ</td><td>2</td></tr> <tr><td>ВЫХОД +VE ЗВУКОВОГО ОПОВЕЩАТЕЛЯ</td><td>3</td></tr> <tr><td>ВЫХОД -VE ЗВУКОВОГО ОПОВЕЩАТЕЛЯ</td><td>4</td></tr> <tr><td>НЕ ИСПОЛЬЗУЕТСЯ</td><td>5</td></tr> <tr><td>НЕ ИСПОЛЬЗУЕТСЯ</td><td>6</td></tr> <tr><td>ВХОД +VE СВЕТОВОГО ОПОВЕЩАТЕЛЯ</td><td>7</td></tr> <tr><td>ВЫХОД +VE СВЕТОВОГО ОПОВЕЩАТЕЛЯ</td><td>8</td></tr> </table> <p>ОДНОСТУПЕНЧАТЫЙ РЕЖИМ РАБОТЫ С НЕЗАВИСИМЫМ УПРАВЛЕНИЕМ</p>	ВХОД +VE ЗВУКОВОГО ОПОВЕЩАТЕЛЯ	1	ВХОД -VE ЗВУКОВОГО ОПОВЕЩАТЕЛЯ	2	ВЫХОД +VE ЗВУКОВОГО ОПОВЕЩАТЕЛЯ	3	ВЫХОД -VE ЗВУКОВОГО ОПОВЕЩАТЕЛЯ	4	НЕ ИСПОЛЬЗУЕТСЯ	5	НЕ ИСПОЛЬЗУЕТСЯ	6	ВХОД +VE СВЕТОВОГО ОПОВЕЩАТЕЛЯ	7	ВЫХОД +VE СВЕТОВОГО ОПОВЕЩАТЕЛЯ	8
ВХОД +VE	1																																																	
ВХОД -VE	2																																																	
ВЫХОД +VE	3																																																	
ВЫХОД -VE	4																																																	
НЕ ИСПОЛЬЗУЕТСЯ	5																																																	
НЕ ИСПОЛЬЗУЕТСЯ	6																																																	
НЕ ИСПОЛЬЗУЕТСЯ	7																																																	
НЕ ИСПОЛЬЗУЕТСЯ	8																																																	
ВХОД +VE	1																																																	
ВХОД -VE	2																																																	
ВЫХОД +VE	3																																																	
ВЫХОД -VE	4																																																	
ДИСТ. ВКЛ. +VE / ВХОД ФАЗЫ	5																																																	
ДИСТ. ВКЛ. -VE / ВХОД НЕЙТРАЛИ	6																																																	
ДИСТ. ВКЛ. +VE / ВЫХОД ФАЗЫ	7																																																	
ДИСТ. ВКЛ. -VE / ВЫХОД НЕЙТРАЛИ	8																																																	
ВХОД +VE ЗВУКОВОГО ОПОВЕЩАТЕЛЯ	1																																																	
ВХОД -VE ЗВУКОВОГО ОПОВЕЩАТЕЛЯ	2																																																	
ВЫХОД +VE ЗВУКОВОГО ОПОВЕЩАТЕЛЯ	3																																																	
ВЫХОД -VE ЗВУКОВОГО ОПОВЕЩАТЕЛЯ	4																																																	
НЕ ИСПОЛЬЗУЕТСЯ	5																																																	
НЕ ИСПОЛЬЗУЕТСЯ	6																																																	
ВХОД +VE СВЕТОВОГО ОПОВЕЩАТЕЛЯ	7																																																	
ВЫХОД +VE СВЕТОВОГО ОПОВЕЩАТЕЛЯ	8																																																	
<table border="1"> <tr><td>ВХОД +VE</td><td>1</td></tr> <tr><td>ВХОД -VE 1</td><td>2</td></tr> <tr><td>ВХОД -VE 2</td><td>3</td></tr> <tr><td>ВЫХОД +VE</td><td>4</td></tr> <tr><td>ВЫХОД -VE 1</td><td>5</td></tr> <tr><td>ВЫХОД -VE 2</td><td>6</td></tr> <tr><td>НЕ ИСПОЛЬЗУЕТСЯ</td><td>7</td></tr> <tr><td>НЕ ИСПОЛЬЗУЕТСЯ</td><td>8</td></tr> </table> <p>ДВУХСТУПЕНЧАТЫЙ РЕЖИМ РАБОТЫ, 3-ПРОВОДНОЕ СОЕДИНЕНИЕ</p>	ВХОД +VE	1	ВХОД -VE 1	2	ВХОД -VE 2	3	ВЫХОД +VE	4	ВЫХОД -VE 1	5	ВЫХОД -VE 2	6	НЕ ИСПОЛЬЗУЕТСЯ	7	НЕ ИСПОЛЬЗУЕТСЯ	8	<table border="1"> <tr><td>ВХОД +VE</td><td>1</td></tr> <tr><td>ВХОД -VE</td><td>2</td></tr> <tr><td>ВЫХОД +VE</td><td>3</td></tr> <tr><td>ВЫХОД -VE</td><td>4</td></tr> <tr><td>ДИСТ. ВКЛ. +VE / ВХОД ФАЗЫ</td><td>5</td></tr> <tr><td>ДИСТ. ВКЛ. -VE / ВХОД НЕЙТРАЛИ</td><td>6</td></tr> <tr><td>ДИСТ. ВКЛ. +VE / ВЫХОД ФАЗЫ</td><td>7</td></tr> <tr><td>ДИСТ. ВКЛ. -VE / ВЫХОД НЕЙТРАЛИ</td><td>8</td></tr> </table> <p>ДВУХСТУПЕНЧАТЫЙ РЕЖИМ РАБОТЫ С ДИСТАНЦИОННЫМ ВКЛЮЧЕНИЕМ</p>	ВХОД +VE	1	ВХОД -VE	2	ВЫХОД +VE	3	ВЫХОД -VE	4	ДИСТ. ВКЛ. +VE / ВХОД ФАЗЫ	5	ДИСТ. ВКЛ. -VE / ВХОД НЕЙТРАЛИ	6	ДИСТ. ВКЛ. +VE / ВЫХОД ФАЗЫ	7	ДИСТ. ВКЛ. -VE / ВЫХОД НЕЙТРАЛИ	8	<table border="1"> <tr><td>ВХОД +VE ЗВУКОВОГО ОПОВЕЩАТЕЛЯ</td><td>1</td></tr> <tr><td>ОБЩИЙ ВХОД -VE 1</td><td>2</td></tr> <tr><td>ОБЩИЙ ВХОД -VE 2</td><td>3</td></tr> <tr><td>ВЫХОД +VE ЗВУКОВОГО ОПОВЕЩАТЕЛЯ</td><td>4</td></tr> <tr><td>ОБЩИЙ ВЫХОД -VE 1</td><td>5</td></tr> <tr><td>ОБЩИЙ ВЫХОД -VE 2</td><td>6</td></tr> <tr><td>ВХОД +VE СВЕТОВОГО ОПОВЕЩАТЕЛЯ</td><td>7</td></tr> <tr><td>ВЫХОД +VE СВЕТОВОГО ОПОВЕЩАТЕЛЯ</td><td>8</td></tr> </table> <p>ДВУХСТУПЕНЧАТЫЙ РЕЖИМ РАБОТЫ С НЕЗАВИСИМЫМ УПРАВЛЕНИЕМ</p>	ВХОД +VE ЗВУКОВОГО ОПОВЕЩАТЕЛЯ	1	ОБЩИЙ ВХОД -VE 1	2	ОБЩИЙ ВХОД -VE 2	3	ВЫХОД +VE ЗВУКОВОГО ОПОВЕЩАТЕЛЯ	4	ОБЩИЙ ВЫХОД -VE 1	5	ОБЩИЙ ВЫХОД -VE 2	6	ВХОД +VE СВЕТОВОГО ОПОВЕЩАТЕЛЯ	7	ВЫХОД +VE СВЕТОВОГО ОПОВЕЩАТЕЛЯ	8
ВХОД +VE	1																																																	
ВХОД -VE 1	2																																																	
ВХОД -VE 2	3																																																	
ВЫХОД +VE	4																																																	
ВЫХОД -VE 1	5																																																	
ВЫХОД -VE 2	6																																																	
НЕ ИСПОЛЬЗУЕТСЯ	7																																																	
НЕ ИСПОЛЬЗУЕТСЯ	8																																																	
ВХОД +VE	1																																																	
ВХОД -VE	2																																																	
ВЫХОД +VE	3																																																	
ВЫХОД -VE	4																																																	
ДИСТ. ВКЛ. +VE / ВХОД ФАЗЫ	5																																																	
ДИСТ. ВКЛ. -VE / ВХОД НЕЙТРАЛИ	6																																																	
ДИСТ. ВКЛ. +VE / ВЫХОД ФАЗЫ	7																																																	
ДИСТ. ВКЛ. -VE / ВЫХОД НЕЙТРАЛИ	8																																																	
ВХОД +VE ЗВУКОВОГО ОПОВЕЩАТЕЛЯ	1																																																	
ОБЩИЙ ВХОД -VE 1	2																																																	
ОБЩИЙ ВХОД -VE 2	3																																																	
ВЫХОД +VE ЗВУКОВОГО ОПОВЕЩАТЕЛЯ	4																																																	
ОБЩИЙ ВЫХОД -VE 1	5																																																	
ОБЩИЙ ВЫХОД -VE 2	6																																																	
ВХОД +VE СВЕТОВОГО ОПОВЕЩАТЕЛЯ	7																																																	
ВЫХОД +VE СВЕТОВОГО ОПОВЕЩАТЕЛЯ	8																																																	

Конфигурации проводки CU1 с питанием от источника переменного тока

<table border="1"> <tr><td>ВХОД ФАЗЫ</td><td>1</td></tr> <tr><td>ВХОД НЕЙТРАЛИ</td><td>2</td></tr> <tr><td>ВЫХОД ФАЗЫ</td><td>3</td></tr> <tr><td>ВЫХОД НЕЙТРАЛИ</td><td>4</td></tr> <tr><td>НЕ ИСПОЛЬЗУЕТСЯ</td><td>5</td></tr> <tr><td>НЕ ИСПОЛЬЗУЕТСЯ</td><td>6</td></tr> <tr><td>НЕ ИСПОЛЬЗУЕТСЯ</td><td>7</td></tr> <tr><td>НЕ ИСПОЛЬЗУЕТСЯ</td><td>8</td></tr> </table> <p>ОДНОСТУПЕНЧАТЫЙ РЕЖИМ РАБОТЫ</p>	ВХОД ФАЗЫ	1	ВХОД НЕЙТРАЛИ	2	ВЫХОД ФАЗЫ	3	ВЫХОД НЕЙТРАЛИ	4	НЕ ИСПОЛЬЗУЕТСЯ	5	НЕ ИСПОЛЬЗУЕТСЯ	6	НЕ ИСПОЛЬЗУЕТСЯ	7	НЕ ИСПОЛЬЗУЕТСЯ	8	<table border="1"> <tr><td>ВХОД ФАЗЫ</td><td>1</td></tr> <tr><td>ВХОД НЕЙТРАЛИ</td><td>2</td></tr> <tr><td>ВЫХОД ФАЗЫ</td><td>3</td></tr> <tr><td>ВЫХОД НЕЙТРАЛИ</td><td>4</td></tr> <tr><td>ДИСТ. ВКЛ. +VE / ВХОД ФАЗЫ</td><td>5</td></tr> <tr><td>ДИСТ. ВКЛ. -VE / ВХОД НЕЙТРАЛИ</td><td>6</td></tr> <tr><td>ДИСТ. ВКЛ. +VE / ВЫХОД ФАЗЫ</td><td>7</td></tr> <tr><td>ДИСТ. ВКЛ. -VE / ВЫХОД НЕЙТРАЛИ</td><td>8</td></tr> </table> <p>ОДНОСТУПЕНЧАТЫЙ РЕЖИМ РАБОТЫ С ДИСТАНЦИОННЫМ ВКЛЮЧЕНИЕМ</p>	ВХОД ФАЗЫ	1	ВХОД НЕЙТРАЛИ	2	ВЫХОД ФАЗЫ	3	ВЫХОД НЕЙТРАЛИ	4	ДИСТ. ВКЛ. +VE / ВХОД ФАЗЫ	5	ДИСТ. ВКЛ. -VE / ВХОД НЕЙТРАЛИ	6	ДИСТ. ВКЛ. +VE / ВЫХОД ФАЗЫ	7	ДИСТ. ВКЛ. -VE / ВЫХОД НЕЙТРАЛИ	8
ВХОД ФАЗЫ	1																																
ВХОД НЕЙТРАЛИ	2																																
ВЫХОД ФАЗЫ	3																																
ВЫХОД НЕЙТРАЛИ	4																																
НЕ ИСПОЛЬЗУЕТСЯ	5																																
НЕ ИСПОЛЬЗУЕТСЯ	6																																
НЕ ИСПОЛЬЗУЕТСЯ	7																																
НЕ ИСПОЛЬЗУЕТСЯ	8																																
ВХОД ФАЗЫ	1																																
ВХОД НЕЙТРАЛИ	2																																
ВЫХОД ФАЗЫ	3																																
ВЫХОД НЕЙТРАЛИ	4																																
ДИСТ. ВКЛ. +VE / ВХОД ФАЗЫ	5																																
ДИСТ. ВКЛ. -VE / ВХОД НЕЙТРАЛИ	6																																
ДИСТ. ВКЛ. +VE / ВЫХОД ФАЗЫ	7																																
ДИСТ. ВКЛ. -VE / ВЫХОД НЕЙТРАЛИ	8																																
<table border="1"> <tr> <td rowspan="4">СВЕТОВОЙ ОПОВЕЩАТЕЛЬ</td> <td>ВХОД ФАЗЫ</td> <td>1</td> </tr> <tr> <td>ВХОД НЕЙТРАЛИ</td> <td>2</td> </tr> <tr> <td>ВЫХОД ФАЗЫ</td> <td>3</td> </tr> <tr> <td>ВЫХОД НЕЙТРАЛИ</td> <td>4</td> </tr> <tr> <td rowspan="4">ЗВУКОВОЙ ОПОВЕЩАТЕЛЬ</td> <td>ВХОД ФАЗЫ</td> <td>5</td> </tr> <tr> <td>ВХОД НЕЙТРАЛИ</td> <td>6</td> </tr> <tr> <td>ВЫХОД ФАЗЫ</td> <td>7</td> </tr> <tr> <td>ВЫХОД НЕЙТРАЛИ</td> <td>8</td> </tr> </table> <p>ОДНОСТУПЕНЧАТЫЙ РЕЖИМ РАБОТЫ С НЕЗАВИСИМЫМ УПРАВЛЕНИЕМ</p>		СВЕТОВОЙ ОПОВЕЩАТЕЛЬ	ВХОД ФАЗЫ	1	ВХОД НЕЙТРАЛИ	2	ВЫХОД ФАЗЫ	3	ВЫХОД НЕЙТРАЛИ	4	ЗВУКОВОЙ ОПОВЕЩАТЕЛЬ	ВХОД ФАЗЫ	5	ВХОД НЕЙТРАЛИ	6	ВЫХОД ФАЗЫ	7	ВЫХОД НЕЙТРАЛИ	8														
СВЕТОВОЙ ОПОВЕЩАТЕЛЬ	ВХОД ФАЗЫ		1																														
	ВХОД НЕЙТРАЛИ		2																														
	ВЫХОД ФАЗЫ		3																														
	ВЫХОД НЕЙТРАЛИ	4																															
ЗВУКОВОЙ ОПОВЕЩАТЕЛЬ	ВХОД ФАЗЫ	5																															
	ВХОД НЕЙТРАЛИ	6																															
	ВЫХОД ФАЗЫ	7																															
	ВЫХОД НЕЙТРАЛИ	8																															

Стандартные звуковые сигналы

В таблице ниже приводится подробная информация о настройках переключателей для стандартных звуковых сигналов. Позиции 28–32 зарезервированы для специальных звуковых сигналов по заказу клиента. Если в устройстве предусмотрены специальные звуковые сигналы по заказу клиента, подробная информация о них содержится в отдельном списке звуковых сигналов, поставляемом в комплекте с устройством.

Таблица 1

№ звук. сигн.	Частота/описание звукового сигнала	Настройка переключателя 12345	Описание звукового сигнала	Ном. уровень звукового давления (дБ(А) на расст. 1 м)
1	Переменный сигнал 800/970 Гц (1/4 с)	11111		114
2	Сигнал качающейся частоты 800/970 Гц (7 Гц)	11110	Быстрый (НЧ)	114
3	Сигнал качающейся частоты 800/970 Гц (1 Гц)	11101	Средний (НЧ)	114
4	Непрерывный сигнал 2850 Гц	11100		109
5	Сигнал качающейся частоты 2400–2850 Гц (7 Гц)	11011	Быстрый	114
6	Сигнал качающейся частоты 2400–2850 Гц (1 Гц)	11010		114
7	Медленный нарастающий сигнал	11001	Медленный нарастающий сигнал	115
8	Сигнал качающейся частоты 1200–500 Гц (1 Гц)	11000	Сигнал согласно DIN	115
9	Переменный сигнал 2400/2850 Гц (2 Гц)	10111		111
10	Прерывистый сигнал 970 Гц (1 Гц)	10110	Звуковой сигнал заднего хода (НЧ)	114
11	Переменный сигнал 800/970 Гц (7/8 Гц)	10101		114
12	Прерывистый сигнал 2850 Гц (1 Гц)	10100	Звуковой сигнал заднего хода (ВЧ)	109
13	970 Гц, продолжительность 1/4 с, пауза 1 с	10011		114
14	Непрерывный сигнал 970 Гц	10010		114
15	554 Гц в течение 0,1 с/440 Гц в течение 0,4 с	10001	Французский сигнал пожарной тревоги	101
16	Прерывистый сигнал 660 Гц, продолжительность 150 мс, пауза 150 мс	10000	Шведский сигнал пожарной тревоги	106
17	Прерывистый сигнал 660 Гц, продолжительность 1,8 с, пауза 1,8 с	01111	Шведский сигнал пожарной тревоги	106
18	Прерывистый сигнал 660 Гц, продолжительность 6,5 с, пауза 13 с	01110	Шведский сигнал пожарной тревоги	104
19	Непрерывный сигнал 660 Гц	01101	Шведский сигнал пожарной тревоги	106
20	Переменный сигнал 554/440 Гц (1 Гц)	01100	Шведский сигнал пожарной тревоги	100
21	Прерывистый сигнал 660 Гц (7/8 Гц)	01011	Шведский сигнал пожарной тревоги	106
22	Прерывистый сигнал 2850 Гц, продолжительность 150 мс, пауза 100 мс	01010	Пешеходный переход	109
23	Сигнал качающейся частоты 800–970 Гц (50 Гц)	01001	Низкочастот. зуммер	113
24	Сигнал качающейся частоты 2400–2850 Гц (50 Гц)	01000	Высокочастот. зуммер	112
25	Импульсы 3x970 Гц, пауза 0,5 с, пауза 1,5 с	00111		113
26	Импульсы 3x2850 Гц, продолжительность 0,5 с/пауза 0,5 с, пауза 1,5 с	00110		109
27	Прерывистый сигнал 3100 Гц, продолжительность 0,32 с/пауза 0,68 с	00101		110
28	Запасной / Специальный звуковой сигнал	00100		
29	Запасной / Специальный звуковой сигнал	00011		
30	Запасной / Специальный звуковой сигнал	00010		
31	Запасной / Специальный звуковой сигнал	00001		
32	Запасной / Специальный звуковой сигнал	00000		

5.0 Техническое обслуживание

Устройство не требует или требует минимального технического обслуживания на протяжении всего срока службы. Полиэстер, армированный стекловолокном, устойчив к большинству кислот, щелочей и химических веществ и не уступает большинству металлов по устойчивости к концентрированным кислотам и щелочам.

Однако при возникновении необычных условий окружающей среды вследствие аварии или несчастного случая на предприятии рекомендуется выполнить визуальную проверку.

В случае неисправности устройства необходимо отправить его в MEDC для ремонта. Все компоненты устройства могут быть заменены.

При покупке большого количества устройств рекомендуется также приобрести запасные части.

Обсудите требуемое количество с техническими консультантами MEDC.

Замена ксеноновой лампы (см. ниже) может быть выполнена квалифицированным персоналом на месте эксплуатации устройства. Для проведения других ремонтных работ необходимо отправить устройство в MEDC.

Если во время технического обслуживания необходимо выполнить смазку узла крышки/линзы, то во избежание повреждения уплотнительного кольца следует использовать смазку на основе перфторполиэфиров, например Krytox GPL203 компании DuPont или Perfluorolube 22/6 компании Performance Fluids Ltd.

Светозвуковой оповещатель с ксеноновой лампой — CU1

Русский

Замена ксеноновой лампы

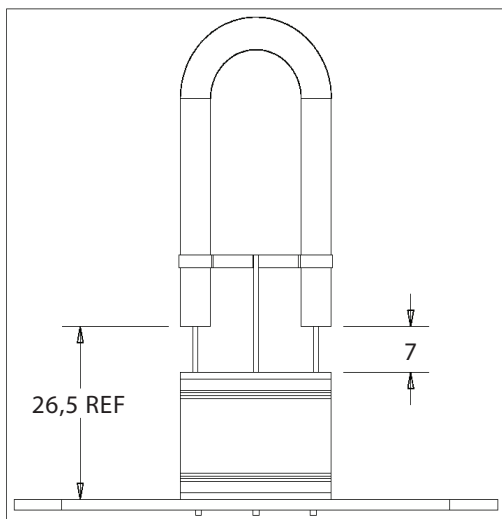
Осторожно: перед снятием узла крышки убедитесь, что питание устройства отключено.

Отверните установочный винт с внутренним шестигранником (шестигранным ключом на 2 мм) в крышке линзы на три полных оборота. Снимите крышку линзы.

Выверните винты на клеммной колодке и извлеките старую лампу. Теперь в клеммную колодку можно вставить новую ксеноновую лампу. Если на новой лампе имеется гибкий спусковой тросик, необходимо вставить лампу в клеммную колодку в том же положении, в котором была установлена старая лампа.

Примечание: возможно, потребуется обрезать ножки новой лампы, чтобы установить ее на правильной высоте от клеммной колодки. См. рисунок ниже.

После выполнения необходимых регулировок установите крышку на место в порядке, обратном описанному выше порядку демонтажа. Соблюдайте осторожность, чтобы не повредить резьбу и контактные поверхности крышки и корпуса. Убедитесь, что уплотнительное кольцо правильно установлено в крышке и крышка плотно привинчена к корпусу, так что зазор между крышкой и корпусом составляет не более 0,2 мм. Чтобы закрепить узел крышки на корпусе, затяните до упора установочный винт с внутренним шестигранником в крышке.



6.0 Сертификация / допуски

Устройства IECEx

Сертифицированы на соответствие стандартам IEC60079-0, IEC60079-1 и IEC60079-7

Устройство со степенью защиты Ex de (сертификат IEC № IECEx BAS 11.0149X)

CU1-S - Ex db eb IIB T4 (от -50 °C до +50 °C) Gb

CU1-H - Ex db eb IIB T4 (от -50 °C до +70 °C) Gb

В сертификате IECEx и на этикетке изделия указан уровень защиты оборудования IECEx

Gb

Где Gb означает пригодность для использования в Зоне 1 в наземных промышленных условиях в присутствии газа.

Устройства ATEX

Сертифицированы на соответствие стандартам EN60079-0, EN60079-1 и EN60079-7

Устройство со степенью защиты Ex d (сертификат ATEX № Baseefa04ATEX0273X)

CU1-S - Ex db eb IIB T4 (от -50 °C до +50 °C) Gb

CU1-H - Ex db eb IIB T4 (от -50 °C до +70 °C) Gb

В сертификате ATEX и на этикетке изделия указаны группа и категория ATEX:



Где:



означает соответствие требованиям ATEX

II означает пригодность для наземного использования

2 означает пригодность для использования в Зоне 1

G означает пригодность для использования в среде с опасными газами

Устройства также имеют следующие допуски:

Защита от внешних воздействий: IP66 согласно BS EN 60529 и IP67 согласно IEC60529

7.0 Специальные условия для безопасного использования

1. Дополнительная окраска и обработка поверхности запрещены.
2. С каждой стороны клеммы разрешается подключать не более одного одножильного или многожильного провода, если только несколько проводников не были надлежащим образом соединены, например два проводника соединены с помощью изолированного штыревого втулочного наконечника.
3. Провода, подсоединенные к клеммам, должны иметь изоляцию, рассчитанную на напряжение не менее 275 В, и изоляция должна заканчиваться на расстоянии не более 1 мм от металлической части клеммы.
4. Все используемые и неиспользуемые винты клемм должны быть затянуты до упора.
5. Пути утечки и зазоры между клеммами и токопроводящими деталями (включая устройства ввода кабелей) должны составлять не менее 5 мм.
6. Все устройства ввода кабелей и заглушки необходимо подбирать таким образом, чтобы обеспечить степень защиты корпуса не менее IP54.
7. В случае замены винтов для крепления рупора необходимо использовать винты из нержавеющей стали (класс прочности не менее A2-70).

