

# Flame Detector User Manual

## General

### Description

The flame detector is designed for use where open flaming fires may be expected. It responds to the light emitted from flames during combustion. The detector discriminates between flames and other light sources by responding only to particular optical wavelengths and flame flicker frequencies. This enables the detector to avoid false alarms due to such factors as flicking sunlight.

### Electrical Considerations

The flame detector can be connected in many different electrical configurations depending on the application. The detector requires a 24Vdc (14Vmin. to 30Vmax.) supply to operate. The detector can be connected as a two-wire loop powered device increasing its supply current to signal that a flame has been detected. See Fig 8. The supply connections to the detector are polarity sensitive.

Also available are volt free contacts from two internal relays RL1 (Fire) and RL2 (Fault or pre-alarm). Using the relay contacts connected in a four-wire configuration the detector status can be signalled back to control equipment. See Fig 9.

Removing the detector front cover provides access to the detector terminals and configuration DIL switch. See Fig.4.

### Alarm Response Modes

The detector is normally configured to latch into an alarm state when a flame is detected. The supply to the detector has to be broken in order to reset the detector.

The configuration DIL switch within the detector can be set to place the detector into a non-latching mode. The detector can then also produce proportional analogue current alarm signals i.e. 8-28mA or 4-20mA. In non-latching mode the detector only produces an alarm signal when a flame is in view resetting itself to normal when the flame has gone.

## Application for Flame Detectors

Flame detectors are used when detection is required to be:

- Unaffected by convection currents, draughts or wind
- Tolerant of fumes, vapours, dust and mist
- Responsive to a flame more than 25m away
- Fast reacting

The detector is capable of detecting the optical radiation emitted by burning material even non-carbonaceous materials. e.g. Hydrogen

Numerous other potential fire sources can be detected such as

### Liquids

- Aviation Fuels (kerosene)
- Ethanol
- Methylated Spirits
- n-Heptane
- Paraffin
- Petrol (gasoline)

### Solids

- Coal
- Cotton
- Grain & Feeds
- Paper
- Refuse
- Wood

### Gases

- Butane
- Fluorine
- Hydrogen
- Natural Gas
- Off Gas
- Propane

Typical applications examples are:

- |  |  |  |
|--|--|--|
| <ul style="list-style-type: none"><li>• Agriculture</li><li>• Aircraft hangars</li><li>• Atria</li><li>• Automotive industry<ul style="list-style-type: none"><li>- spray booths</li><li>- parts manufacture</li></ul></li></ul> | <ul style="list-style-type: none"><li>• Coal handling plant</li><li>• Engine rooms</li><li>• Generator rooms</li><li>• Metal fabrication</li><li>• Paper manufacture</li><li>• Petrochemical</li></ul> | <ul style="list-style-type: none"><li>• Pharmaceutical</li><li>• Power plants</li><li>• Textiles</li><li>• Transformer stations</li><li>• Waste handling</li><li>• Woodworking</li></ul> |
|--|--|--|

Applications and Locations to Avoid:

- |   |  |
|---|--|
| <ul style="list-style-type: none"><li>• ambient temperatures above 55°C</li><li>• close proximity to RF sources</li><li>• exposure to severe rain and ice</li><li>• large amounts of flickering reflections</li></ul> | <ul style="list-style-type: none"><li>• large IR sources – heaters, burners, flares</li><li>• obstructions to field of view</li><li>• sunlight falling directly on the detector optics</li><li>• spot lighting directly on the detector optics</li></ul> |
|---|--|

## Quantities Required and Positioning of Detectors

The number of detectors required and their position depends on:

- the anticipated size of the flame
- the distance of the flame from the detector
- the angle of view of the flame detector

The flame detector is designed to have a class 1 performance as defined in BS EN54-10:2002 on the high sensitivity setting. That is the ability to detect an n-heptane (yellow) fire of 0.1m<sup>2</sup> or methylated spirit (clear) fire of 0.25m<sup>2</sup> at a distance of up to 25m within 30 seconds.

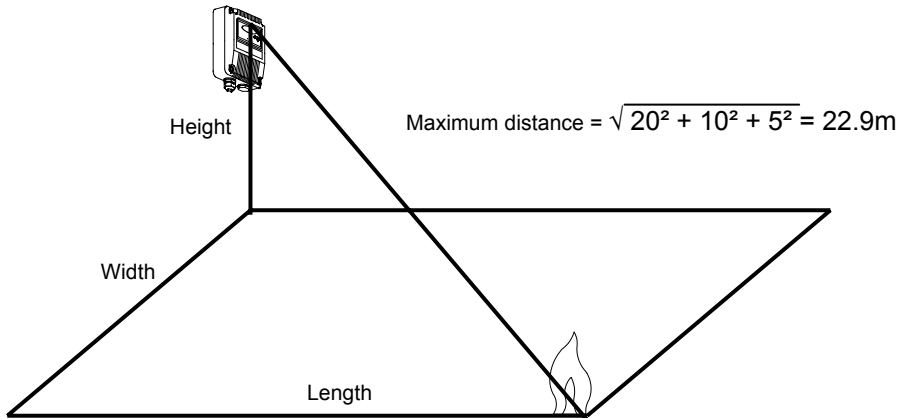
The detector can be set to have to a lower sensitivity setting equivalent to class 3 performance. Class 3 performance is defined as detecting the same size fires as for class 1 but at a distance of only 12m.

In fact, the flame detector will detect fires at distances of up to 40 metres, but the flame size at such distances needs to be proportionally greater in order to be sure of reliable detection. Thus the yellow flickering flame that can be detected at 25m, provided that its size is not less than 0.1m<sup>2</sup>, will have to be 0.4m<sup>2</sup> in order to be detected at 40metres.

In a rectangular room the distance from the flame detector to the fire is calculated by the formula:

$$\text{Maximum distance} = \sqrt{L^2 + W^2 + H^2}$$

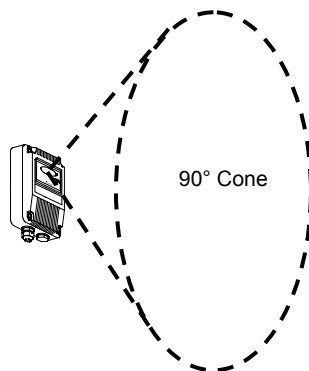
In the example shown in fig 1 the room in which the flame detector is to be installed measures 20m x 10m x 5m; the maximum distance from the detector to the flame will therefore be;



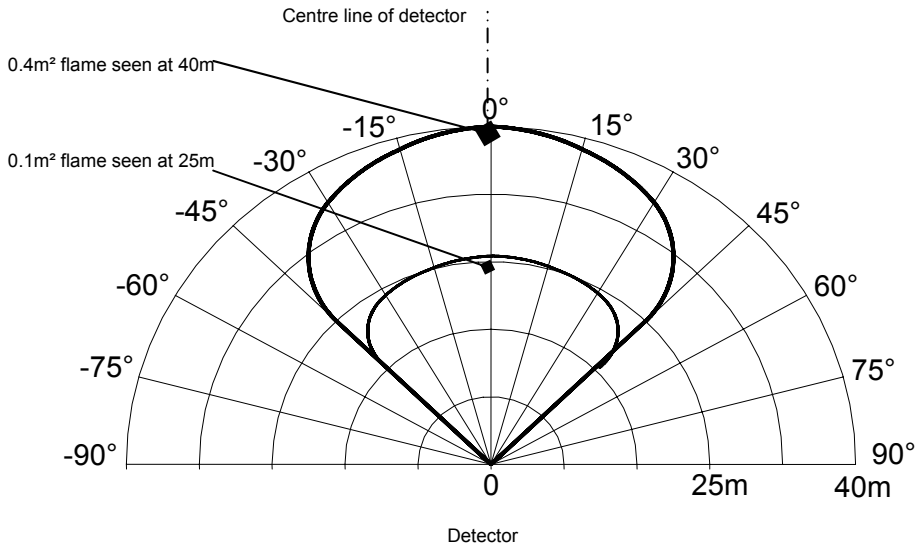
**Fig 1** Calculation of distance from detector to flame

### Field of View

The flame detector has a field of view of approximately 90°, as shown in the diagram below.



**Fig 2** Conical field of view of the flame detector



**Fig 3** Detector Field of View Plot

The flame detector should be positioned at the perimeter of the room, pointing directly at the anticipated flame or at the centre of the area to be protected. If the detector cannot 'see' the whole of the area to be protected, one or more additional detectors may be required.

The flame detector is not affected by normal light sources but should be positioned so that sunlight does not fall directly onto the viewing window.

## Detector Window Contamination

It is important to keep the detector window clean and checks should be carried out at regular intervals – determine locally according to the type and degree of contamination encountered – to ensure optimal performance of the flame detector. Although the IR detectors can detect flames when the window is contaminated, there may be a reduction of sensitivity as shown in Table 1.

Contamination	Typical percentage of normal response
Water spray	75%
Steam	75%
Smoke	75%
Oil film	86%
Salt water film	86%
Dry salt deposits	86%

**Table 1** IR Detector window contamination

UV/IR detectors are more susceptible to window contamination and must be kept clean.

# Detector Interior

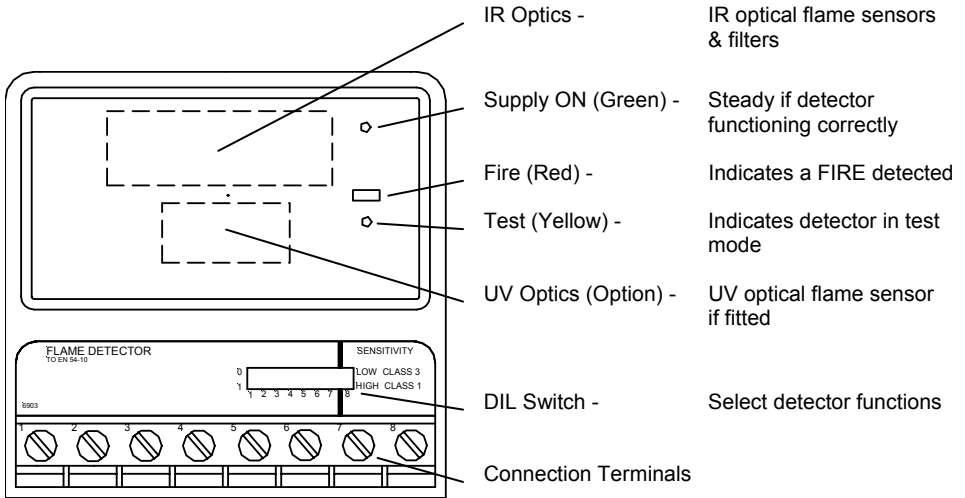


Fig 4 Detector with Front Cover removed

# Electrical Connections

The flame detector has eight connection terminals as show in Fig 5. Removing the front cover of the flame detector accesses the connections. The cable is passed through the gland holes in the base of the detector.

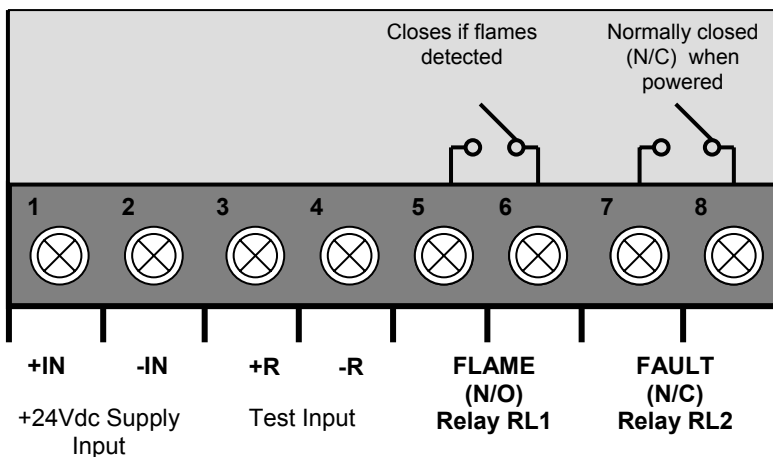


Fig 5 Electrical Connection Terminals

## Connection Terminal Descriptions

Terminal No.	Mnemonic	Function
1	+IN	Power Supply +V. +IN is the power supply input to the flame detector and is normally 24Vdc with respect to terminal 2. The current consumption of detector can be monitored to determine the detector status (Fault, Normal, Pre-alarm, Fire). If the detector is in latching mode then this supply line must be broken in order to reset the detector. A thermal fuse within the detector will blow and break the +IN connection if the detector operating temperature is exceeded.
2	-IN	Power Supply 0V. -IN is the return path for the detector supply current. -IN is also internally connected to terminal 4.
3	+R	Remote Detector Test Input +V. No connection to +R is necessary if the detector optical and circuit test feature is not required. If 24Vdc is applied to terminals 3 and 4 the detector internal optical test sources will activate to simulate a flame. The detector yellow test LED will flicker to indicate an optical test is progress. The detector will then alarm indicating that the test was successful.
4	-R	Remote Detector Test Input 0V. No connection to -R is necessary if the detector optical and circuit test feature is not required. -R is internally connected to terminal 2.
5	RL1	Flame Relay RL1. This volt free contact is normally open (N/O) and only closes when a flame has been detected. If the detector is in latching mode (see DIL switch settings) the contact will remain closed once a flame has been detected. Only when the detector supply +IN is broken will the detector reset and the contact open once again. The contact can be changed to a normally closed (N/C) state by moving the link on JP1 in the rear of the detector. Maximum relay contact ratings: Power=3W, Current=0.25Amp, Voltage=30Vdc. Resistive loads only.
6		
7	RL2	Fault or Pre-alarm Relay RL2. This volt free contact is normally closed (N/C) if the detector has no faults and the supply voltage between terminals +IN and -IN is the correct value. If the detector mode is changed (see DIL switch settings) this relay can be de-energised to reduce the detector current consumption. Alternatively RL2 can be set to provide a pre-alarm fire signal. The normal contact state can be changed state by moving the link on JP2 in the rear of the detector. Maximum relay contact ratings: Power=3W, Current=0.25Amp, Voltage=30Vdc. Resistive loads only.
8		

**Table 2** Connection Terminal Descriptions

# Selectable Detector Functions

(DIL Switch Settings)

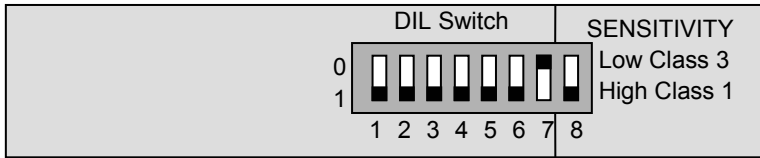


Fig 6 DIL Switch with Detector Front Cover Removed (Normal factory settings shown)

Selectable Functions	DIL Switch Settings	
<b>Relay RL2 Function:</b>	<b>1</b>	<b>2</b>
RL2 off (No fault relay) – For lowest detector current consumption.	0	0
RL2 off, or UV pre-alarm, flame or electrical sparks detected.	1	0
RL2 energised on IR pre-alarm	0	1
RL2 detector fault relay (Energised if detector powered and no faults)	1	~ 1
<b>Detector Supply Current (Detector Status):</b> [-/ = see Output Mode below]	<b>3</b>	<b>4</b>
Low current mode, 3mA / 9mA (RL1 Only), 8mA / 14mA (RL1 & RL2)	0	0
Two-wire current signalling only. No relays operating. 4-20mA, 4/20mA	1	0
Two-wire current signalling 8-20mA, 8/20mA and both relays operating.	0	1
Two-wire current signalling 8/28mA and both relays operating.	1	~ 1
<b>Output Mode:</b>	<b>5</b>	
(-) Proportional analogue supply current. Non-latching fire alarm signalling. (-)	0	
(/) Step change, supply current. Latching fire alarm signalling. (/)	~ 1	
<b>Response Time:</b>	<b>6</b>	<b>7</b>
Slowest ≈ 8s	0	0
Medium ≈ 4s	1	~ 0
Fast ≈ 2s	0	1
Faster response times reduce the optical interference immunity. Very Fast ≈ 1s	1	1
<b>Sensitivity:</b> See EN 54-10	<b>8</b>	
Low Class 3	0	
High Class 1	~ 1	

Factory settings ~

Table 3 DIL Switch Settings

# Theory of Operation

The detector responds to low-frequency (1 to 15 Hz.) flickering IR radiation emitted from flames during combustion.

IR flame flicker techniques enable the sensor to operate through a layer of oil, dust, water vapour, or ice.

Most IR flame sensors respond to 4.3µm light emitted by hydrocarbon flames. By responding to 1.0 to 2.7µm light emitted by every fire all flickering flames can be detected. Gas fires not visible to the naked eye e.g. hydrogen may also be detected.

The dual (IR<sup>2</sup>) and triple (IR<sup>3</sup>) IR photoelectric detectors, responding to neighbouring IR wavelengths, enable it to discriminate between flames and spurious sources of IR radiation.

The combination of filters and signal processing allows the sensor to be used with little risk of false alarms in difficult situations characterised by factors such as flickering sunlight.

# Signal Processing

The detector views the flame at particular optical wavelengths. The more differing optical wavelength signals available the better the detector is at discriminating between flames and false optical sources. So although IR<sup>2</sup>, IR<sup>3</sup> and UV/IR<sup>2</sup> detectors can detect similar sized flames at the same distances, the UV/IR<sup>2</sup> detector will

give the greatest optical false signal immunity as it has the most diverse selection of optical wavelengths.

The detector processes the optical signal information to determine if a flame is in view. This is achieved by comparing the signals with known flame characteristics stored within the detector.

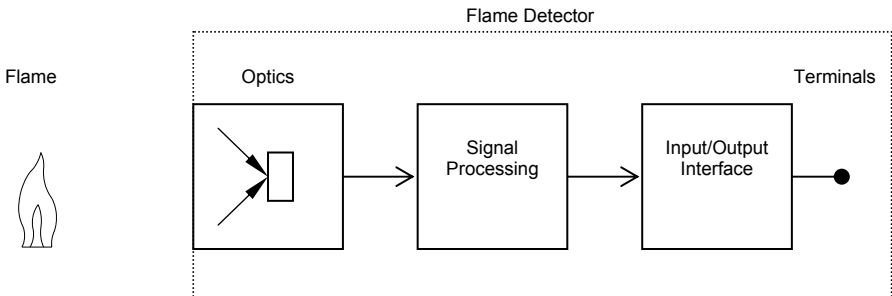


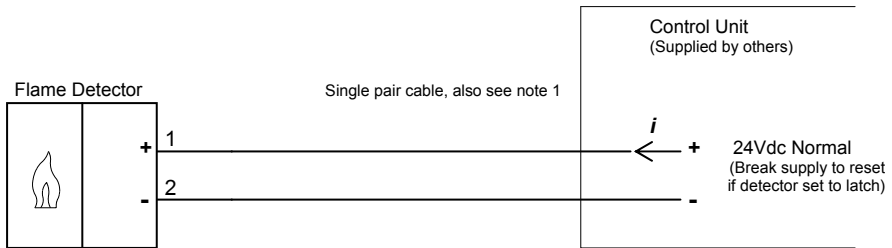
Fig 7 Block Diagram of the Detector Signal Processing

If the detector has interpreted the optical signals as a fire then it produces the required output responses. This will be in the form of supply current changes and the illumination of the red fire LED. The fire relay will also change state if required.

The detector is constantly checking itself to ensure it is performing correctly. If a fault occurs the detector supply current will reduce, the fault relay will de-energise and the green supply LED will no longer illuminate constantly.



# Connection Information



NOTE 1  
Screened cable should be used with one end of the screen connected to earth. Also care should be taken not to run the detector cable next to power cables.

**Fig 8** Basic 2 Wire Connection Diagram

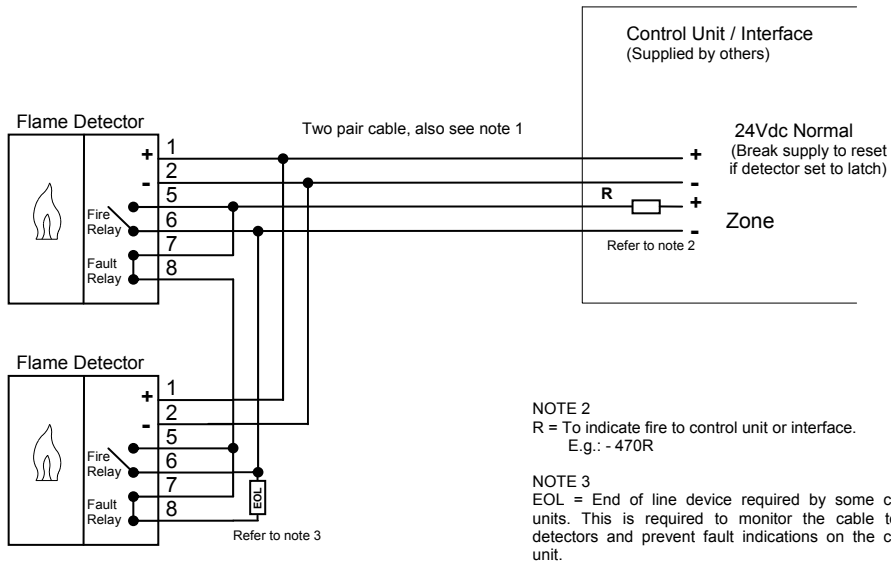
The simplest method of connecting the flame detector is in a 2-wire configuration as shown above. With a 24Vdc supply the current ( $i$ ) drawn by a detector/detectors can be monitored to determine the detector status. The DIL switches within the detector can be set to produce different current values ( $i$ ) to suit control systems.

Detector Supply Current $i$ @ 24Vdc		DIL Switch Setting				Comment
Normal Quiescent Current	Alarm (Fire) Current	1	2	3	4	
3mA	9mA	0	0	0	0	Lowest power configuration, RL1 only
4mA	20mA	0	0	1	0	For 4-20mA systems, no relays
8mA	14mA	1	1	0	0	Lowest power configuration & relays
8mA	20mA	1	1	0	1	For 4-20mA systems & relays
8mA	28mA	1	1	1	1	Fire control panels

**Table 4** Detector Supply & Alarm Currents

If the detector supply current falls below the normal quiescent current consumption then a fault is present. This could be simply an open circuit cable fault or a fault within the detector possibly due to the detector being taken over its rated temperature.

Detectors can be connected in parallel increasing the overall quiescent current required. The alarm current signal will remain the same with the additional quiescent current drawn from other detectors.



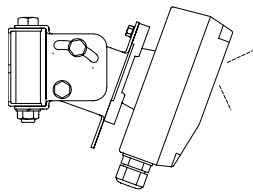
**Fig 9** 4 Wire Connection Diagram

The circuit shown above enables the flame detectors to interface with most type of fire alarm control systems. The fire relay RL1 is used to switch the required alarm load 'R' to generate a fire alarm signal. An end of line device 'EOL' mounted in the last detector provides the system with the ability to monitor the detector fault relay RL2 and the integrity of the interconnecting cables.

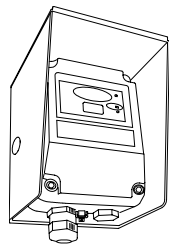
## Installation

It is important that the detectors are installed in such a way that all terminals and connections are protected to at least IP20 with the detector cover fitted. The earth bonding terminals are provided for

convenience where continuity of a cable sheath or similar if required. Adjustable mounting brackets and weather shields are available as shown below.



**Fig 10** Stainless Steel Adjustable Mount



**Fig 11** Stainless Steel Weather Shield

# Functional Testing

When 24Vdc power is applied to the detector the green supply on indicator LED will illuminate. The fault relay RL2, if selected with the DIL switch, will energise and the contact between terminals 7 and 8 will close. If 24Vdc is applied to terminals 3 and 4 or terminal 3 is linked to terminal 1 the detector will perform a self-test. It does this by causing internal optical test sources to simulate the behaviour of flames and the detector will alarm.

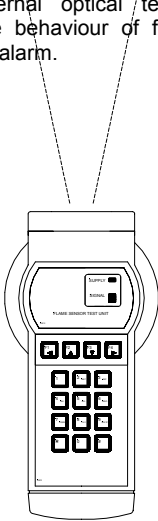


Fig 12 Portable Flame Detector Test Unit

Alternatively a portable flame sensor test unit is available to generate simulated flame behaviour and test the detector a few metres in front of the detector. See Fig 12.

Finally, provided it is safe to do so, carry out a flame test using a flickering flame source, such as a portable Bunsen burner. See Fig 13.

A still non-flickering flame will not produce a response from the detector.

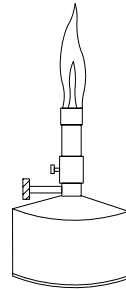


Fig 13 Portable Bunsen Burner

# Service & Repairs

Servicing of the fire protection system should be carried out by competent persons familiar with this type of system, or as recommended by the local regulations in force.

Only the manufacturer or equivalent authorised body may carry out repairs to the flame detectors. In practical terms this means that flame detector may be repaired only at the manufacturers factory.

*Information in this guide is given in good faith, but the manufacturer cannot be held responsible for any omissions or errors. The company reserves the right to change the specifications of products at any time and without prior notice.*