

TALENTUM®

TEST TORCH I800-I01

WITH CALIBRATION KIT I800-I06

The Talentum Test Torch is a test and calibration unit designed to work with the full range of Talentum Flame Detectors. Using the intuitive menu, choose the type of Flame Detector to be tested, squeeze the trigger and the Talentum Test Torch will automatically perform a test from a distance of up to 6 metres, which means that in many applications, the Flame Detector can be tested from ground level.

The Talentum Test Torch recreates the characteristic spectrum of a flame using a combination of UV and IR bulbs. In addition to the testing functionality, the Test Torch can recalibrate a Talentum Flame Detector. Connect the Calibration Kit (sold separately or order I800-012 to upgrade) between the Test Torch and the front of the flame detector and follow the menu to recalibrate the flame detector in the field.

The Talentum Test Torch's integral battery is recharged via USB from either a PC or off the shelf USB charger.



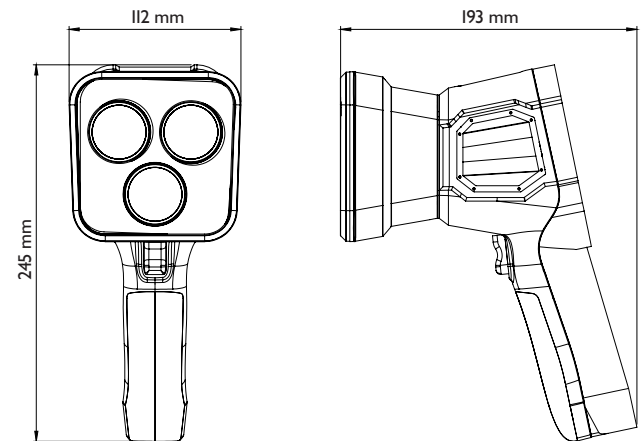
SPECIFICATION

Suitability	Talentum UV, UV/IR, UV/IR2, IR3
Range	1-6 m (max)
Test time	Up to 40 tests each of 30 seconds
Service interval	2000 tests, or 2 years
Batteries	Lithium Ion rechargeable
Battery charging time	3 hours (fast), 8 hours (normal)
Charging and data port	USB type C
Weight	0.85 kg 1.28 kg with calibration kit
Dimensions	112(w) x 245(h) x 193(d) mm
Ingress protection rating	IP54
Operating temperature	-10°C to +55°C
Storage temperature	-20°C to +65°C
Talentum in field calibration kit	Optional
Field calibration record capacity	1024 calibrations

PART NUMBERS

I800-I01	Talentum Test Torch without calibration kit
I800-I06	Talentum Test Torch with calibration kit
I800-012	Standalone calibration kit

DIMENSIONS



RECOMMENDATIONS FOR USE

Please refer to our User Manual for usage of the Talentum Test Torch. FFE Ltd assumes no responsibility for their use. Data and design are subject to change without notice. For more information, contact your Sales Representative.

