



Asserta Maxi Sounder Beacon

Datasheet Version 1.0



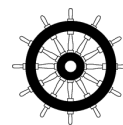
Output: 110/120dB(A)

42 tones, 3 stages

IP rating: IP66

Available voltages: 24Vdc/230Vac

Audio visual
signalling



Tel: +44(0)1252 725257

Fax: +44(0)1252 727627

© 2018/19 LGM Products Ltd.

Email: sales@lgmproducts.com

Web: www.lgmproducts.com

ISO 9001:2015 certified

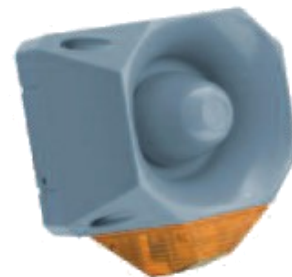
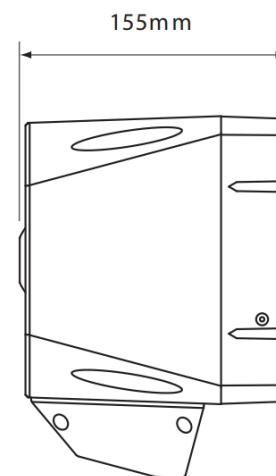
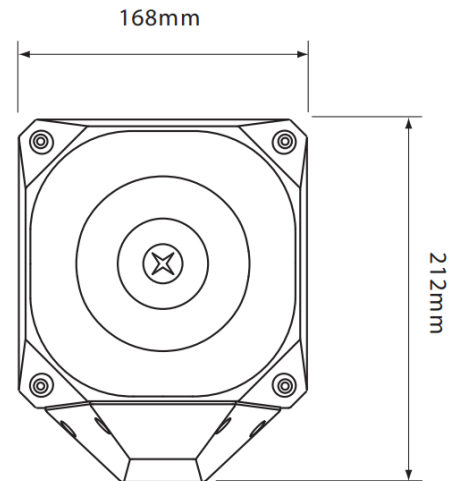
Address: LGM Products Ltd, Unit 15 Riverside Industrial Park, Farnham, Surrey, GU9 7UG, United Kingdom.

Asserta Maxi

Sounder Beacon

Datasheet Version 1.0

Light output	3.6J @ 24Vdc 2.0J @ 230Vac
Flash rate	1Hz (adjustable on 24Vdc)
Sound output	110dB(A) / 120dB(A) - typical tone 3
Volume control	10dB
Alarm tones	42
Alarm stages	3
Current	110dB(A) 105mA @ 24Vdc (Typical Tone 3) 120dB(A) 450mA @ 24Vdc (Typical Tone 3) 110dB(A) 40mA @ 230Vac (Typical Tone 3) 120dB(A) 65mA @ 230Vac (Typical Tone 3)
IP rating	IP66
Unit weight	DC: 1.8kg AC: 2.5kg
Temperature range	-25°C to +70°C
Body material	ABS, PC
Lens colour	Red/Amber/Blue
Unit colour	Red/Grey



Model	Description
AS/SB/24/120/R/RL	Asserta Sounder/Beacon, 24Vdc, Red, 120dB, Red Lens
AS/SB/24/120/R/AL	Asserta Sounder/Beacon, 24Vdc, Red, 120dB, Amber Lens
AS/SB/230/R/120/RL	Asserta Sounder/Beacon, 230Vac, Red, 120dB, Red Lens
AS/SB/230/R/120/AL	Asserta Sounder/Beacon, 230Vac, Red, 120dB, Amber Lens
AS/SB/230/G/120/AL	Asserta Sounder/Beacon 230Vac, Grey, 120dB, Amber Lens
AS/SB/230/R/110/RL	Asserta Sounder/Beacon 230Vac, Red, 110dB, Red Lens