



BExCP3B-PB

Push Button Call Point

Datasheet Version 1.0



For use in zone 1/2/21/22

IP rating: IP66

Included monitoring resistor

Break Glass and Tool Reset versions available

Fire
detection



Hazardous
area



Tel: +44(0)1252 725257

Fax: +44(0)1252 727627

© 2018/19 LGM Products Ltd.

Email: sales@lgmproducts.com

Web: www.lgmproducts.com

ISO 9001:2015 certified

Address: LGM Products Ltd, Unit 15 Riverside Industrial Park, Farnham, Surrey, GU9 7UG, United Kingdom.

LGM

PRODUCTS

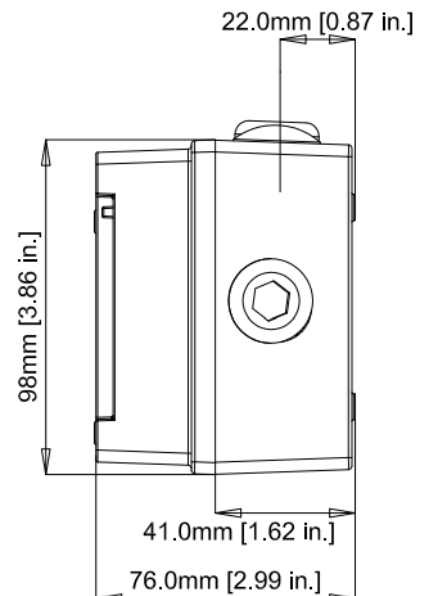
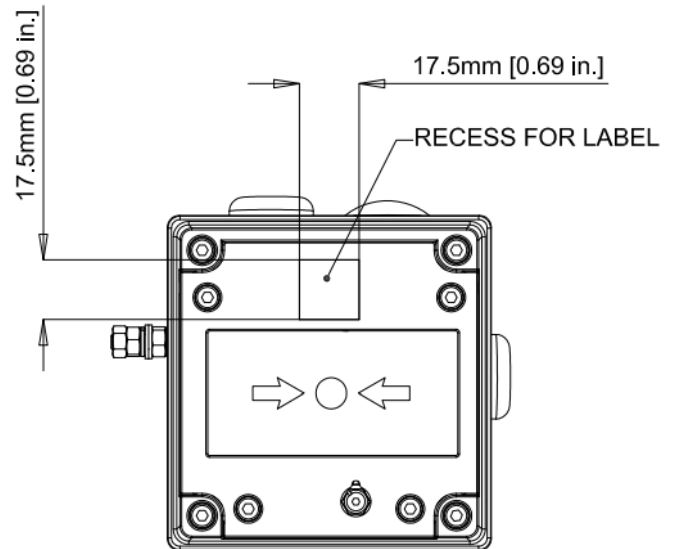
+44 1252 725257
sales@lgmproducts.com

BExCP3B-PB

Push Button Call Point

Datasheet Version 1.0

Model type	Push Button call point
Zones	1/2/21/22
IP rating	IP66
Cable entry	2 x M20 clearance top and 1 x M20 clearance side. Back box can be rotated to give 2 x bottom and 1 x side entries.
Stopping plugs	2 x Ex e nylon plugs as standard Brass and stainless steel plugs optional
Terminals	6 x 4.0mm ² cables or or 8 x 2.5mm ² DIN rail
Unit weight	0.8kg
Ambient.	Ta = -40°C to +55°C [-40° to +131°F] (+50°C for BExCP3B)
Body material	Red, marine grade copper free LM6 aluminium
Unit colour	Red by default. Others available
Approvals	See page 4
Coding	II 2G Ex e d IIC T6 Gb II 2D Ex t IIIC T60°C Db IP66



Tel: +44(0)1252 725257

Fax: +44(0)1252 727627

© 2018/19 LGM Products Ltd.

Email: sales@lgmproducts.com

Web: www.lgmproducts.com

ISO 9001:2015 certified

Address: LGM Products Ltd, Unit 15 Riverside Industrial Park, Farnham, Surrey, GU9 7UG, United Kingdom.



BExCP3B-PB

Push Button Call Point

Datasheet Version 1.0

MODEL CODES

Option:	Code:	Description:
Type:	BExCP3A-PB BExCP3B-PB	A type - no end of line devices B type - choice of end of line devices
Terminals:	ST DR	ST: Standard DR: DIN rail (only on BExCP3B type)
Lift flap:	LF NF	Lift flap No lift flap
Duty label:	NL DL	No duty label Duty label required - specify contents
Colour:	RD XX	Red enclosure colour Other enclosure colour - contact sales
Voltage:	48V 24V 12V 6V	System voltage (only required for BExCP3B type)
E.O.L. Resistor:	ExxxR	Resistor value in Ohms e.g. E470R = 470 Ohm (only required for BExCP3B type)
Series Resistor:	SxxxR	Resistor value in Ohms e.g. E1K5R = 1.5K Ohm (only required for BExCP3B type)

e.g. BExCP3A-PB-ST-LF-NL-RD

BExCP3A Push Button call point with standard terminals, lift flap and no duty label. Red housing

e.g. BExCP3B-PB-DR-NF-NL-RD-24V-E470R

BExCP3B Push Button call point with DIN rail terminals, no lift flap, no duty label, 24V supply with a 470 Ohm end of line resistor. Red housing.

Tel: +44(0)1252 725257

Fax: +44(0)1252 727627

© 2018/19 LGM Products Ltd.

Email: sales@lgmproducts.com

Web: www.lgmproducts.com

ISO 9001:2015 certified

Address: LGM Products Ltd, Unit 15 Riverside Industrial Park, Farnham, Surrey, GU9 7UG, United Kingdom.



BExCP3B-PB

Push Button Call Point

Datasheet Version 1.0

ATEX

ATEX certificate: Sira 09ATEX3286X,
IEC 60079-0:2007 Ed 5,
EN 60079-1:2004,
EN 60079-7:2007, IEC 60079-18:2009 Ed 3,
EN 61241-1:2004

IECEX

IECEX certificate: IECEX SIR 09.0121X,
IEC 60079-0:2007-10 Edition: 5,
IEC 60079-1:2003 Edition: 5,
IEC 60079-18:2009 Edition: 3,
IEC 60079-7:2006-07 Edition: 4,
IEC 61241-1:2004 Edition: 1

Inmetro

Inmetro certificate: 10-IEEx-0011X

GOST-R

GOST-R certificate: POCC GB.JB05.B03365

SIL 2 certified to IEC 61508 (2010)

Complies with design requirements of EN54-11

Tel: +44(0)1252 725257

Fax: +44(0)1252 727627

© 2018/19 LGM Products Ltd.

Email: sales@lgmproducts.com

Web: www.lgmproducts.com

ISO 9001:2015 certified

Address: LGM Products Ltd, Unit 15 Riverside Industrial Park, Farnham, Surrey, GU9 7UG, United Kingdom.