

HA121

Multifunctional Sounder

Datasheet Version 1.1



Output: 121dB(A) alarm

5 tones, 3 stages

IP rating: IP66

Siren, Buzzer, Claxon and Bell tones

Audio visual
signalling





HA121

Multifunctional Sounder

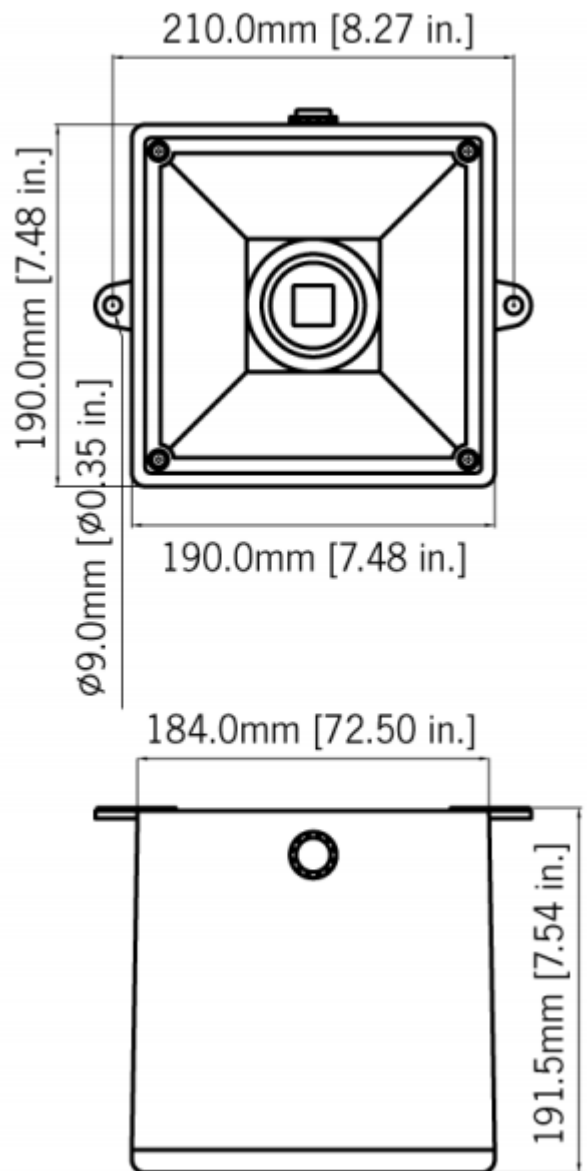
Datasheet Version 1.1

Sound output	121dB(A) @1m (Nominal)
Alarm tones	5
Alarm stages	3
Effective range	300m/984ft @ 1KHz
IP rating	IP66
Cable entry	2 x M20 clearance gland knockouts in side & back
Terminals	0.5 - 4.0mm ²
Operating temp	-25 to +55°C
Storage temp	-40 to +70°C
Relative humidity	90% at 20°C
Unit weight	DC: 2.10kg / AC: 2.70kg
Body material	High impact UL94 V0 & 5VA FR ABS
Unit colour	Red (RAL3000) & grey (RAL7038)
Approvals	GOST-R certificate: POCC GB.JB05.H00144

'Hootronic' sounders faithfully reproduce the sounds made by legacy electro-mechanical signaling devices but in a modern, reliable and cost effective way

Each of the 5 tones has two additional, remotely selectable, alarm stages. Remote switch generates genuine 'tail off' to sound when alarm is terminated

Custom or country specific tones and topicalization are available for this product on request.



Version	Voltage	Current
24Vdc	10-30Vdc	375mA
115Vac	+/-10%	160mA
230Vac	+/-10%	75mA

Tel: +44(0)1252 725257

Fax: +44(0)1252 727627

© 2018/19 LGM Products Ltd.

Email: sales@lgmproducts.com

Web: www.lgmproducts.com

ISO 9001:2015 certified

Address: LGM Products Ltd, Unit 15 Riverside Industrial Park, Farnham, Surrey, GU9 7UG, United Kingdom.