

LED80

LED Beacon

Datasheet Version 1.2



12x LED array
IP67

Audio visual
signalling



Amber/Red/Blue/Green
Multiple voltage options



LGM

PRODUCTS

+44 1252 725257
sales@lgmproducts.com

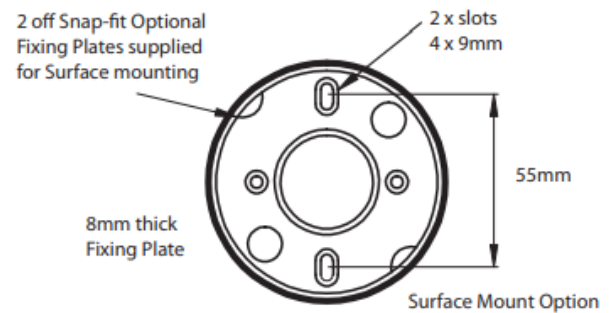
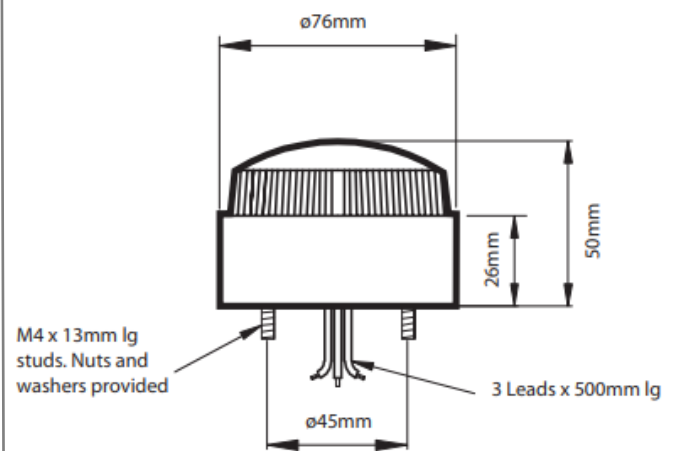
LED80

LED Beacon

Datasheet Version 1.2

| | |
|--------------------------|--|
| Light output | 12x LED array |
| Flash rate | Selectable: Flashing (60fpm), Continuous |
| Fixing | Stud mount or surface mount |
| IP rating | IP67 |
| Temperature range | -20° to +55°C |
| Weight | 0.14kg |
| Body material | UV Stable Polycarbonate Lens UV Stable ABS Plastic Base |
| Lens colour | Amber/Red/Blue/Green |

| Model | Voltage | Current |
|----------|------------|-------------------------------|
| LED80-02 | 10-100Vdc | 90mA flashing 200mA static |
| LED80-04 | 115/230Vac | 20mA |



Tel: +44(0)1252 725257

Fax: +44(0)1252 727627

© 2018/19 LGM Products Ltd.

Email: sales@lgmproducts.com

Web: www.lgmproducts.com

ISO 9001:2015 certified

Address: LGM Products Ltd, Unit 15 Riverside Industrial Park, Farnham, Surrey, GU9 7UG, United Kingdom.