



# RFD-2000X-H

## UV/IR Hydrogen Flame Detector

Datasheet Version 1.0



Ultraviolet/Infrared flame detection

30m range

IP66/67

17-32Vdc

Fire  
detection



Tel: +44(0)1252 725257

Fax: +44(0)1252 727627

© 2018/19 LGM Products Ltd.

Email: sales@lgmproducts.com

Web: www.lgmproducts.com

ISO 9001:2015 certified

Address: LGM Products Ltd, Unit 15 Riverside Industrial Park, Farnham, Surrey, GU9 7UG, United Kingdom.

# LGM

PRODUCTS

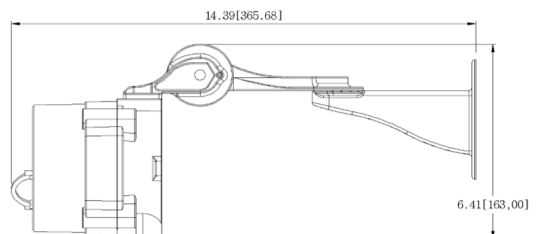
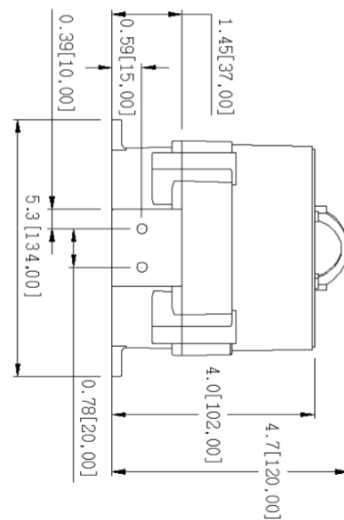
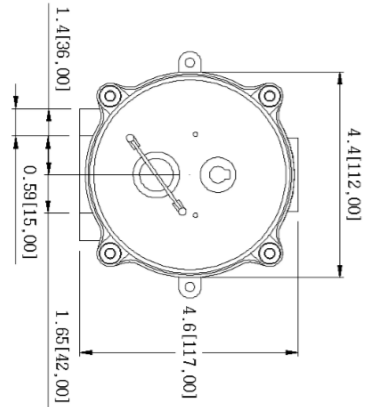
+44 1252 725257  
sales@lgmproducts.com

# RFD-2000X-H

## UV/IR Hydrogen Flame Detector

Datasheet Version 1.0

|                                  |   |
|----------------------------------|---|
| <b>Response type</b>             | Ultraviolet/Infrared hydrogen flame detector  |
| <b>Range</b>                     | 30m (100ft) n-heptane fire<br>4.5m (15ft) hydrogen fire 0.76m (30") plume                             |
| <b>FOV</b>                       | 90° cone  |
| <b>Response time</b>             | 5 seconds   |
| <b>Sensitivity settings</b>      | 4 sensitivity ranges From 18-30m, 60-98.5ft   |
| <b>Built in test facility</b>    | Auto self test including window optic check<br>External remote push button test Manual with test lamp |
| <b>Selectable output options</b> | Fire, Fault, Pre alarm relays, volt free contacts rated 2 amp 28Vdc 4-20 mA RS-485                    |
| <b>IP rating</b>                 | IP66/67, NEMA Type 4X   |
| <b>Supply voltage</b>            | 17-32Vdc  |
| <b>Alarm current</b>             | 70mA @ 24 Vdc   |
| <b>Cable entry</b>               | 2 x 1/2" npt or 2 x M20   |
| <b>Terminals</b>                 | 0.2 to 2.0mm <sup>2</sup>   |
| <b>Unit weight</b>               | 3.5kg   |
| <b>Operating temp.</b>           | -40°C to +75°C  |
| <b>Relative humidity</b>         | 0 to 95%  |
| <b>Body material</b>             | 316 Stainless Steel   |



Tel: +44(0)1252 725257

Fax: +44(0)1252 727627

© 2018/19 LGM Products Ltd.

Email: sales@lgmproducts.com

Web: www.lgmproducts.com

ISO 9001:2015 certified

Address: LGM Products Ltd, Unit 15 Riverside Industrial Park, Farnham, Surrey, GU9 7UG, United Kingdom.



# RFD-2000X-H

## UV/IR Hydrogen Flame Detector

Datasheet Version 1.0

### Approvals

ATEX Certificate No: FM12ATEX0091X II 2 G  
Ex db IIB+H2 T6 Ta=-40°C to 75°C IP66/IP67

FM Explosion proof Class I Division 1 Groups  
B,C and D

Dust ignition proof Class II/III Division 1  
Groups E,F and G,  
T6 Ta=-40°F (-40°C) to 176°F (75°C)

### Available accessories



Sun Shield



Air Shield



Mounting Bracket

Tel: +44(0)1252 725257

Fax: +44(0)1252 727627

© 2018/19 LGM Products Ltd.

Email: sales@lgmproducts.com

Web: www.lgmproducts.com

ISO 9001:2015 certified

Address: LGM Products Ltd, Unit 15 Riverside Industrial Park, Farnham, Surrey, GU9 7UG, United Kingdom.