



# Symphoni LX WP Wall Sounder Beacon

Datasheet Version 1.0



Output: 100dB(A), 0.5/1Hz

IP rating: IP66

Available voltages: 18-28Vdc

Red/White

Audio visual  
signalling



Tel: +44(0)1252 725257

Fax: +44(0)1252 727627

© 2018/19 LGM Products Ltd.

Email: sales@lgmproducts.com

Web: www.lgmproducts.com

ISO 9001:2015 certified

Address: LGM Products Ltd, Unit 15 Riverside Industrial Park, Farnham, Surrey, GU9 7UG, United Kingdom.



# Symphoni LX WP Wall Sounder Beacon

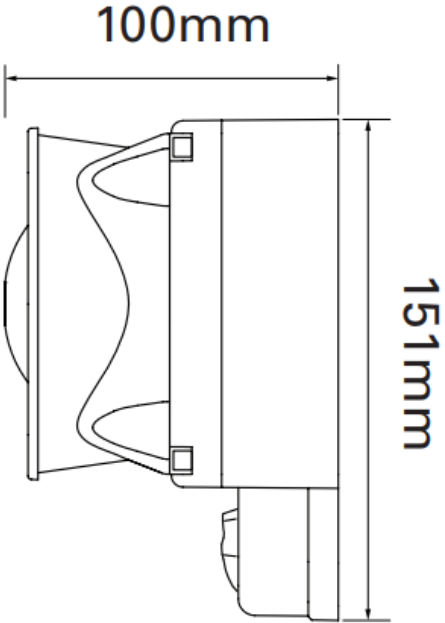
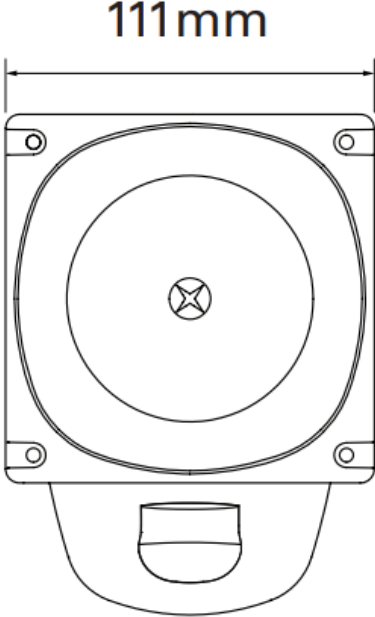
Datasheet Version 1.0

<b>Light output</b>	LED bulb
<b>Flash rate</b>	0.5/1Hz selectable
<b>Sound output</b>	100dB(A) (tone 29)
<b>Voltage</b>	18-28Vdc
<b>Current</b>	15 - 30mA dependent on setting (Sounder; tone 29)
<b>IP rating</b>	IP21C
<b>Unit weight</b>	200g
<b>Temperature range</b>	-25°C to +70°C (WP)
<b>Lens colour</b>	Red/White
<b>Unit colour</b>	Red/White
<b>Approvals</b>	Approved to EN54-23, VDS

'E' version with German DIN and Netherlands Slow Whoop available.

The Symphoni LX is also available as a 'base-only' variant, meaning existing Symphoni sounders can be retro-fitted into an EN 54-23 approved base.

Non-WP version available



Tel: +44(0)1252 725257

Fax: +44(0)1252 727627

© 2018/19 LGM Products Ltd.

Email: sales@lgmproducts.com

Web: www.lgmproducts.com

ISO 9001:2015 certified

Address: LGM Products Ltd, Unit 15 Riverside Industrial Park, Farnham, Surrey, GU9 7UG, United Kingdom.